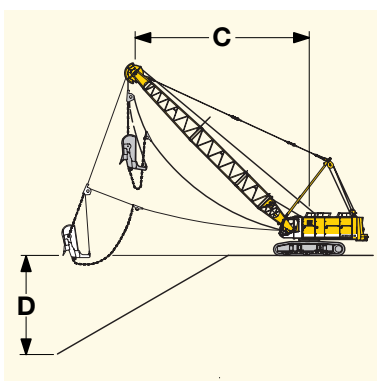


Hydraulic crawler cranes Duty cycle

HS Series

Litronic®

Dragline operation



Dragline operation

Type	Engine	Winches	Boom	Bucket	Radius C	Deepness D	Capacity
HS 825 HD	180/270 kW	2x 16 t	14 - 20 m	2.3 / 1.8 m ³	14 - 17 m	6 - 9 m	90 - 110 m ³
HS 835 HD	180/270 kW	2x 16 t	14 - 20 m	2.5 / 2.0 m ³	14 - 17 m	6 - 9 m	100 - 130 m ³
HS 845 HD	350 kW	2x 20 t	17 - 23 m	3.0 / 2.5 m ³	15 - 20 m	8 - 11 m	110 - 150 m ³
HS 855 HD	450 kW	2x 25 t	20 - 26 m	3.5 / 2.7 m ³	18 - 23 m	9 - 12 m	140 - 180 m ³
HS 875 HD	450/670 kW	2x 25 t	21 - 27 m	3.8 / 3.0 m ³	19 - 24 m	10 - 13 m	160 - 200 m ³
HS 885 HD	450/670 kW	2x 30 t	24 - 30 m	4.2 / 3.0 m ³	20 - 25 m	11 - 14 m	180 - 250 m ³
HS 895 HD	670 kW	2x 35 t	26 - 50 m	7.7 / 3.0 m ³	23 - 41 m	13 - 24 m	to - 400 m ³

Above chart is for reference only. Subject to change without notice.

Liebherr-Werk Nenzing GmbH
P.O. Box 10, A-6710 Nenzing/Austria
Tel.: +43 50809 41-473
Fax: +43 50809 41-499
crawler.crane@liebherr.com
www.liebherr.com

LIEBHERR