

 **NEW HOLLAND**

LB90/95/110/115.B
BACKHOE LOADERS



NEW PILOT "COMMAND CONTROLS"

NEW GENERATION ENGINE -
HIGH TORQUE, LOW FUEL CONSUMPTION

HIGH FRONT LOADER PERFORMANCE

 **NEW HOLLAND**

PROVEN PERFORMANCE

LB90/95/110/115.B

MAXIMUM STRENGTH OPTIMUM PERFORMANCE

New Holland backhoe loaders feature a strong box section design boom and dipper that is also narrow, so visibility is excellent down the length of the boom to the bucket, at all dig depths. A Hydraulic Extending Dipper, HED (Hidraulic Extending Dipper), is available for maximum dig depth, reach and loading ability. HED increases productivity as fewer operating positional moves are required. The externally mounted "in line" cylinder design gives optimum utilisation of hydraulic forces. Outstanding digging performance is ensured due to the new geometry and Load Sensing / Flow Compensation powerful hydraulic system, giving greater lift capacity and faster loading cycles.





**NEW GENERATION CNH ENGINE.
INCREASED PERFORMANCE.
INCREASED PRODUCTIVITY.**

■ The latest LB, B series backhoe loaders, with their latest generation, Tier 2 emissions-compliant engines, provide increased performance and increased productivity. Add to that their ease of servicing and reduced service intervals and it all adds up to a better return on your investment.

MORE POWER - For greater, all-round, productivity.

INCREASED TORQUE - For increased pushing power, loader output and climbing performance.

ENVIRONMENTALLY FRIENDLY - Low emissions, coupled with quieter operation make them particularly suited to working in urban and populated areas.

IMPROVED SERVICEABILITY - Main service access points are grouped on the left-hand side of the machine and colour coded for easy identification of the main service areas.

PLUS...

Extended oil change intervals

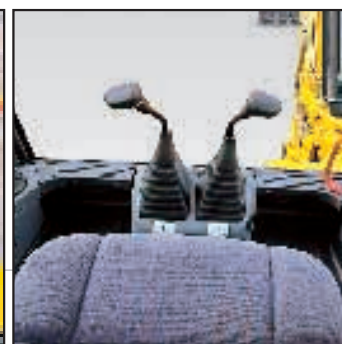
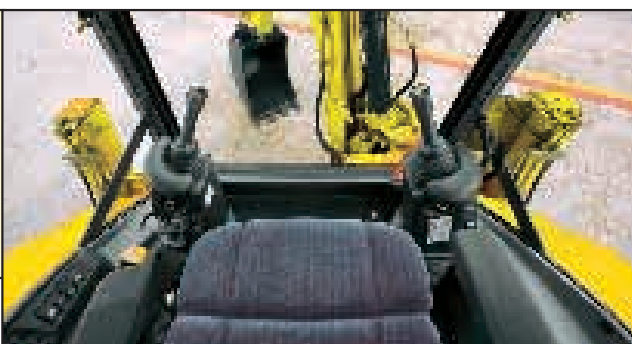
Automatic belt tensioner

Integral water pump with fewer parts

New piston and ring configuration for improved oil control

In-line radiator and oil coolers for improved cooling

**NEW
"COMMAND
CONTROLS"
ON REQUEST**



■ **MECHANICAL CONTROLS (standard)**
Soft and precise backhoe standard mechanical controls are positioned ergonomically to offer maximum operator comfort and all-round visibility to the digging area.

LB90/95/110/115.B

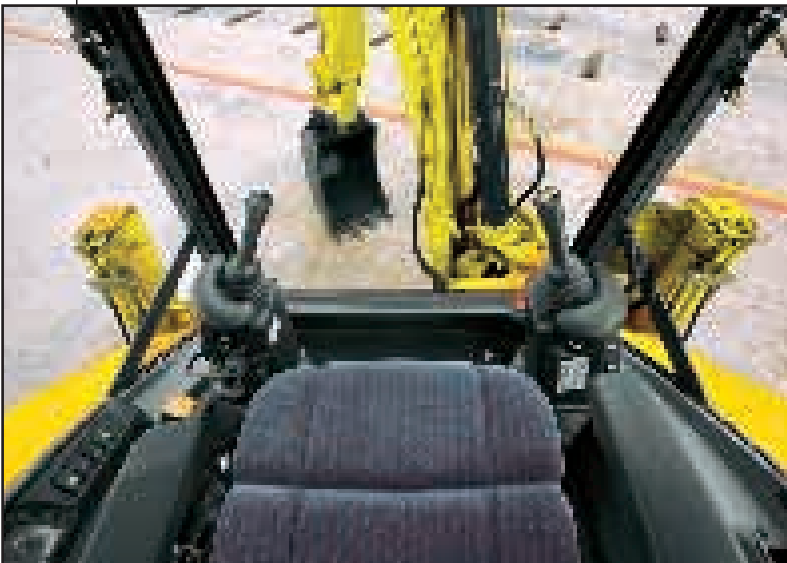
QUALITY DESIGN AND BUILD... UNDERSTANDING CUSTOMER NEEDS

New Holland backhoe loaders are premium quality machines, purpose built for customers looking for increased productivity and reduced whole life operating costs. They benefit from the advanced After Sales support of a global player committed to service excellence. Continual investment in new manufacturing techniques is the key to product quality.



LONG LASTING FINISH

Epoxy powder based paint is used on all New Holland backhoe loaders. Electrostatic charges in the powder ensure it is attracted to even the most inaccessible areas; the baking process ensures an even, tough and durable finish.



PILOTED COMMAND CONTROLS

Command controls, like those on the latest generation excavators, have been developed to offer operators an extremely comfortable working environment. The new system guarantees personalised working positions. Manipulator positions adapt to any need, with longitudinal and lateral adjustments. Two tiltable and vertically adjustable wrist rests ensure movement precision. These new COMMAND CONTROLS minimise physical effort for the operator. With its COMMAND CONTROLS, New Holland backhoe loaders set a new reference standard for the whole market.



T INTELLIGENT HYDRAULICS

The innovative Load Sensing / Flow Compensation hydraulic system ensures that the maximum power available be directed where needed.

The system can operate at low engine speed and still allow simultaneous movements, whilst reducing noise levels in restricted or urban development areas.

The backhoe controls become quickly familiar to the operator;

on demand they are smooth yet responsive and give precision control, whatever the task.

Backhoe: mechanical or pilot controls to satisfy all customer requirements.



POWERSHUTTLE OR POWERSHIFT TRANSMISSION

The synchronised, four-speed modulated PowerShuttle transmission enables operators to shuttle between forward and reverse quickly and smoothly. This eliminates shock loads on the driveline components, increasing operator comfort and giving better control of load handling. A transmission dump button on the loader multi-function lever enables the operator to reduce loading times by directing all the engine power to the loader for more productivity. Optional "PowerShift transmission" for higher loader performance and comfort.

SPACIOUS, COMFORTABLE CAB

All-round visibility from the cab is excellent; side windows fully open for good through-flow ventilation. Alternatively, air conditioning is available.

All controls are ergonomically positioned and noise levels are low.

For improved security, an in-cab, electronic engine immobiliser can be specified.



LB90/95/110/115.B

The all-wheel steer / equal size wheel concept gives the LB115.B the lifting and handling performance of a purpose-built loader. To match this level of performance, and to ensure durability, the frame is built to withstand heavy loads and torsional stresses. Mechanical self-levelling provides maximum retention of full bucket loads. The built-in loader float facility eliminates the risk of bucket penetration when working on finished surfaces such as asphalt or concrete. These features mean more productivity as they reduce operator concentration and simplify loader handling. The "return to dig" system automatically positions the bucket for the next loading cycle, allowing the operator to focus only on positioning the machine - the result is faster loader cycles and more cubic metres moved.



TOP TRACTIVE POWER

The LB115.B is fitted with equal size wheels to provide maximum tractive power for more effective loading, dozing, back filling or grading. The machine converts all the maximum available engine power into traction to fill the buckets faster and more easily for increased loader output. The large front tyres also give greater carrying capacity for bigger, heavier bucket loads and, with their increased surface area, reduce ground pressure and ensure excellent performance on soft or difficult terrain.



HEAVY DUTY LOADER, HIGHER PRODUCTIVITY



LB90/95/110/115.B

LB115.B FULL CONTROL SUPERB MANOEUVRABILITY

The LB115.B offers three selectable steering options providing versatility for all operating situations.

- Front wheel steering ensures maximum safety for road and high speed transport applications.
- All wheel steering gives a tight turning radius of only 4.52 m, allowing excellent mobility in confined spaces when working around excavations and obstacles.
- Crab steering allows the machine to clean up easily alongside walls or buildings without any complicated manoeuvres.





4x2 FULL POWERSHIFT DUAL MODE TRANSMISSION

PowerShift provides smooth gear shifting and directional changes even under load, for maximum operator comfort and convenience. Standard on the LB115.B, a 4x2 full PowerShift is also available on the LB110.B. With manual mode selected, the operator simply twists the steering column-mounted selector to change through the gears.

In “full automatic mode”, the transmission will auto-shift either up or down depending on speed or load, improving cycle times and simplifying road travel.



**“KICK DOWN”
FUNCTION
for a real
wheel loader
performance**

RUGGED, RELIABLE ENGINE

The LB, B Series backhoes, are powered by the new, quiet and fuel-efficient CNH engine. This new engine produces the high torque needed for demanding front loader work with constant power delivery, and its reliability ensures extended service intervals.



LB90/95/110/115.B SPECIFICATIONS



ENGINE

	LB90/95.B	LB110.B	LB115.B
Model.....	CNH F4GE0454C*D	CNH F4GE0484G*D	CNH F4GE0484G*D
Displacement / Cylinders (l/n°)	4.5/4	4.5/4	4.5/4
Bore size (mm)	104	104	104
Stroke (mm)	132	132	132
Rated speed (rpm)	2200	2200	2200
Aspiration.....	Turbocharged	Turbocharged-intercooled	Turbocharged-intercooled
Engine power ISO TR 14396 (kW/hp).....	71/95	82/110	82/110
Compression ratio.....	17.5:1	17.5:1	17.5:1
Engine speed at maximum torque (rpm).....	1400	1400	1400
Maximum torque ISO TR 14396 (Nm).....	400 / 294	480 / 354	480 / 354



ELECTRICAL SYSTEM

Electrical system	(V)12	(V)12	(V)12
Alternator capacity	(A)70	(A)70	(A)70



HYDRAULIC SYSTEM

System type.....	Load Sensing / Flow Compensation	Load Sensing / Flow Compensation	Load Sensing / Flow Compensation
Number of pumps / type.....	2 / Gear	2 / Gear	2 / Gear
Maximum flow (l/min)	151	160	160
Main relief valve pressure (bar).....	210	210	210



TRANSMISSION

Transmission type.....	PowerShuttle	PowerShuttle/Opt. PowerShift	PowerShift
PowerShuttle			
Speeds (n°)	4 Forward & 4 Reverse	4 Forward & 4 Reverse	4 Forward & 4 Reverse
Max forward speeds 1, 2, 3 and 4 (km/h).....	6.3, 10.2, 21.8 and 38.9	6.3, 10.2, 21.8 and 38.9	6.3, 10.2, 21.8 and 38.9
Max reverse speeds 1, 2, 3 and 4 (km/h)	7.6, 12.3, 26.2 and 46.4	7.6, 12.3, 26.2 and 46.4	7.6, 12.3, 26.2 and 46.4
Torque converter stall ratio.....	2.31 : 1 / 2.38 : 1	2.31 : 1 / 2.38 : 1	2.38 : 1
PowerShift			
Speeds (n°)	4 Forward & 2 Reverse	4 Forward & 2 Reverse	4 Forward & 2 Reverse
Max forward speeds 1, 2, 3 and 4 (km/h).....	6.0, 11.2, 21.8 and 39.2	6.2, 11.6, 22.6 and 39.0	6.2, 11.6, 22.6 and 39.0
Max reverse speeds 1 and 2 (km/h)	7.1 and 13.2	7.3 and 13.7	7.3 and 13.7
Torque converter stall ratio	2.31 : 1	2.31 : 1	2.31 : 1



BRAKES

Oil bath discs, on rear axle			
Brake disc diameter (mm / n°).....	203 / 8 discs	203 / 8 discs	203 / 8 discs



TYRES

Front.....	12.5 / 80 - 18 (10 ply)	16.9 - 24 (12 ply) or 16.9 - 28 (12 ply)
Rear	18.4 - 26	16.9 - 24 (12 ply) or 16.9 - 28 (12 ply)



STEERING SYSTEM

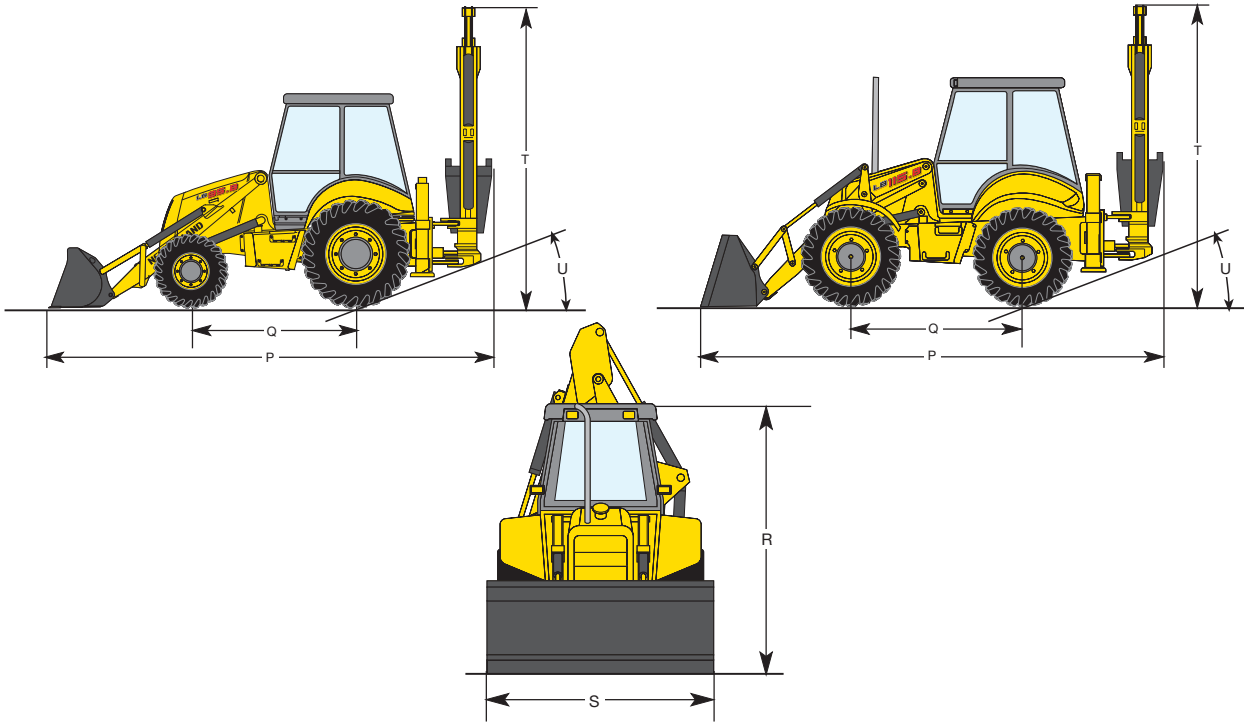
Turning radius (unbraked)			
Outside tyres	4930	4500	4500
Bucket corner.....	5640	5250	5250



CAPACITIES

Fuel tank (l).....	135/130	130	130
Hydraulic tank (l).....	41/70	70	70
Hydraulic system capacity (l).....	118/137	137	137
Engine oil capacity (l)	14/16	16	16
Transmission oil capacity (l).....	18/18	18	18
Cooling system capacity (l)	24/24	24	24

DIMENSIONS (mm)



OVERALL DIMENSIONS		LB90/95/110.B	LB115.B
P Transport length	mm	5690	5745
Q Wheelbase	mm	2175	2200
R Height to top of cab	mm	2950/2880	2900
S Overall width	mm	2275/2430	2480
T Backhoe transport height	mm	3960/3890	3980
U Departure angle	°	23	22
GROUND CLEARANCE			
Under front axle	mm	370	550
Under sideshift frame	mm	470	560

Machine fitted with 12.5/80 x 18 front and 18.4 x 26 rear tyres (LB90/95/110.B)
 Machine fitted with 16.9 x 28 tyres (LB115.B)

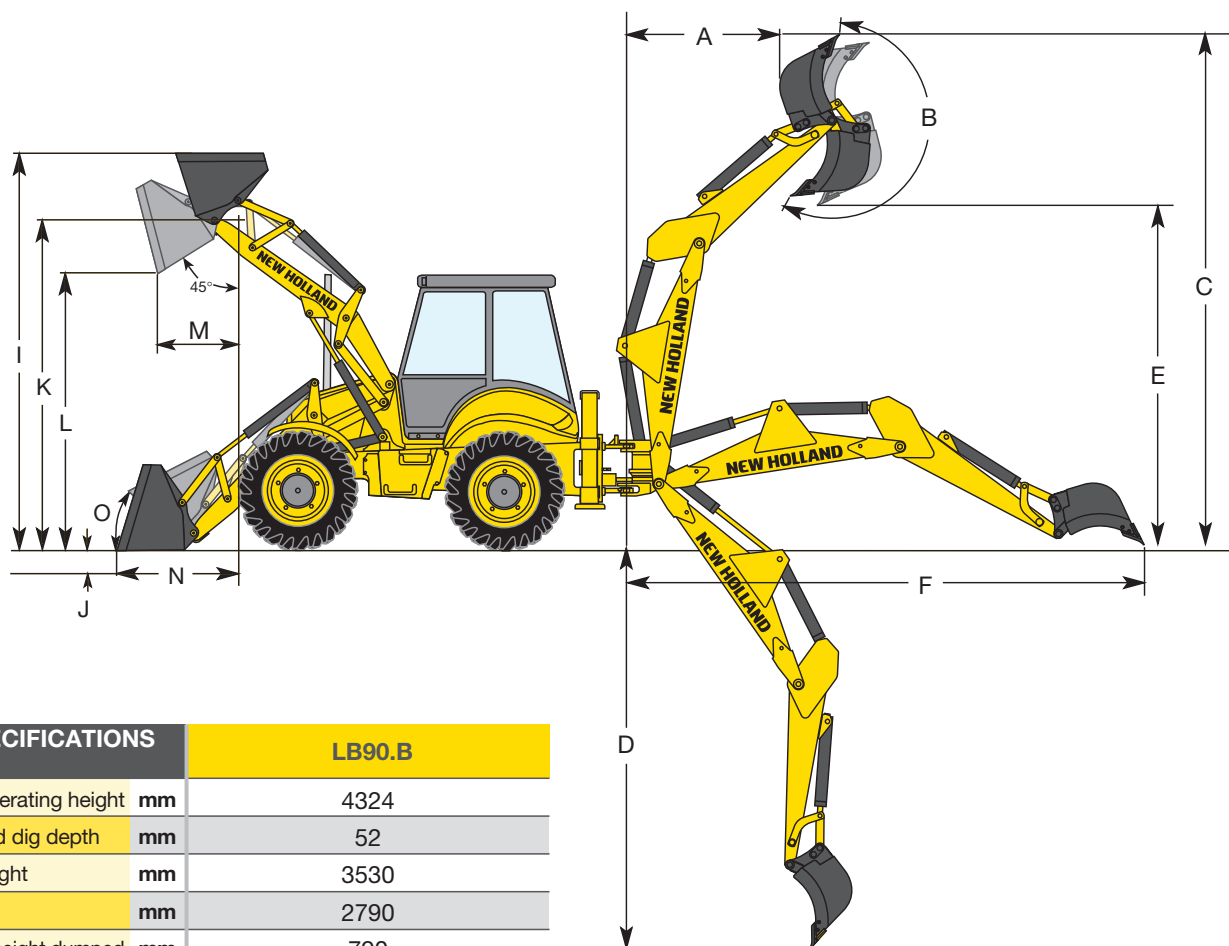
LOADER BUCKET (6 in 1 bucket)		LB90/95/110.B	LB115.B
Capacity	l	1000	1200
Weight	kg	600	695
Weight with forks	kg	745	840
Cutting edge width	mm	2250	2400

LOADER BUCKET (standard)		LB90/95/110.B	LB115.B
Capacity	l	1000	1200
Weight	kg	440	440
Weight with forks	kg	568	658
Cutting edge width	mm	2250	2400

BACKHOE BUCKET SPECIFICATIONS		LB90/95/110/115.B
Width	mm	305, 457, 610, 762, 914
Capacity	l	80, 120, 175, 243, 302
Weight	kg	117, 141, 161, 185, 208



LB90.B PERFORMANCES

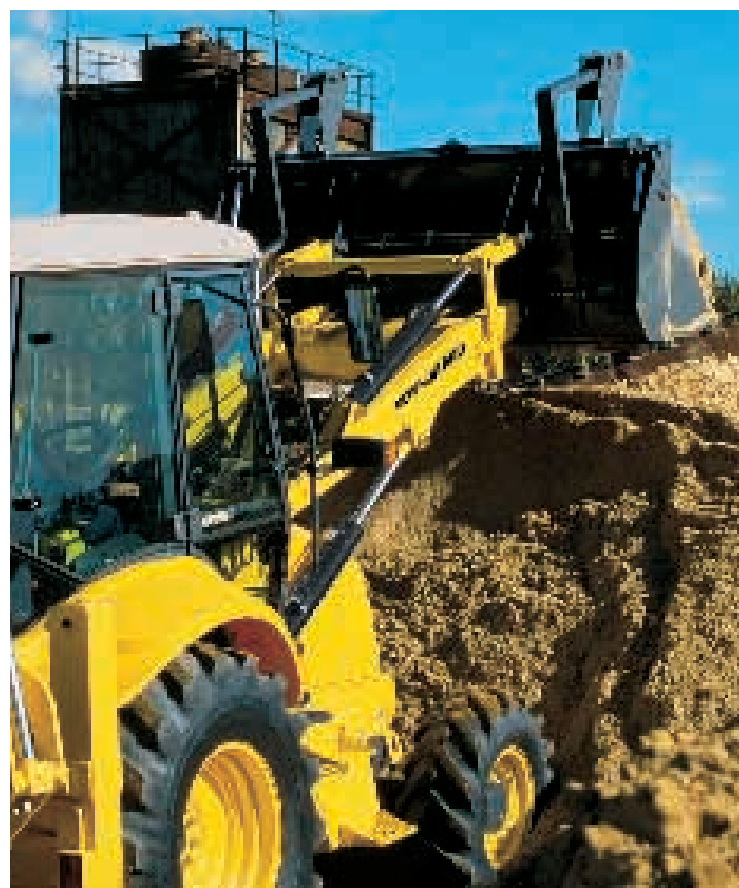


LOADER SPECIFICATIONS (6 in 1 bucket)		LB90.B
I Maximum operating height	mm	4324
J Below ground dig depth	mm	52
K Hinge pin height	mm	3530
L Dump height	mm	2790
M Reach at full height dumped	mm	790
N Reach at ground level	mm	1449
O Bucket roll back on ground	°	40°

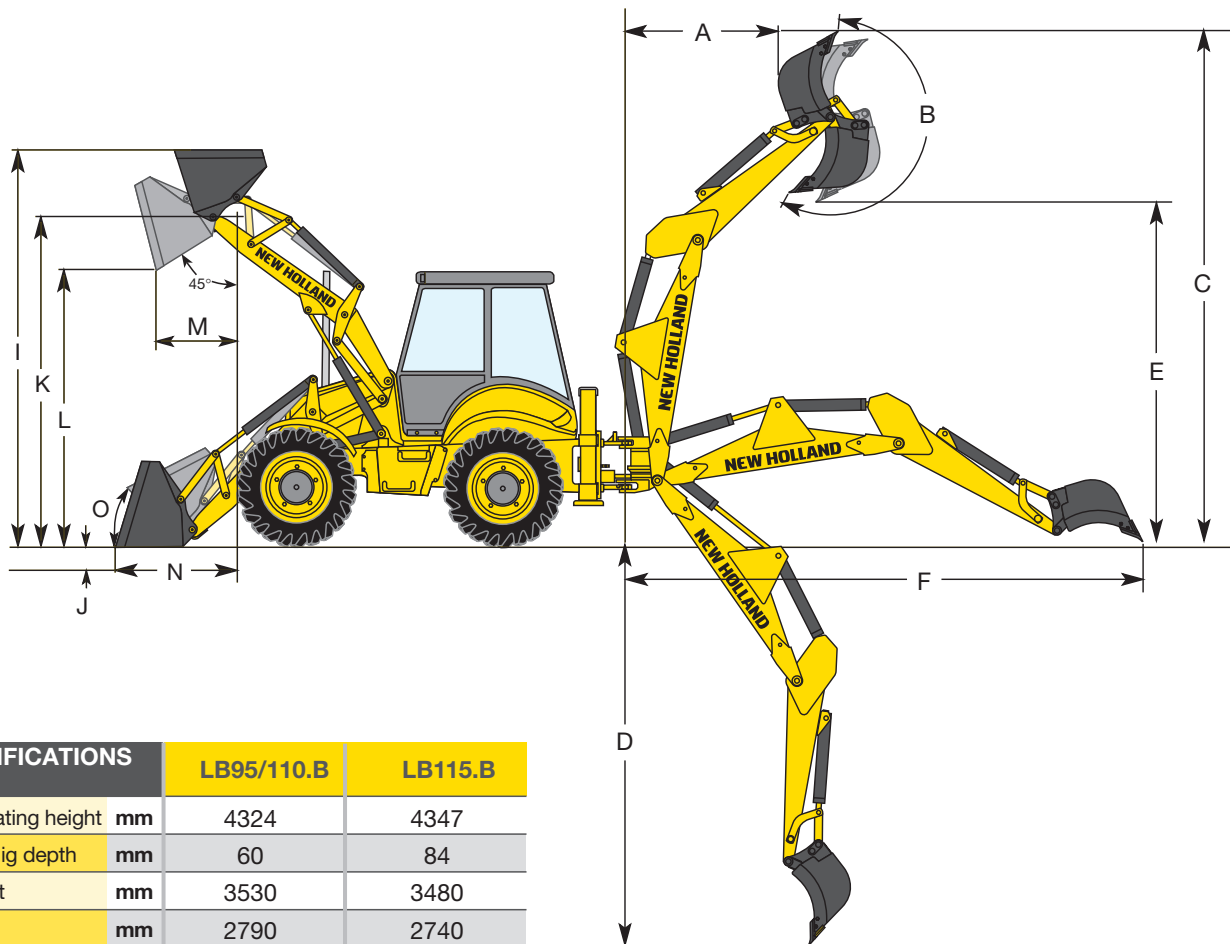
Maximum loader breakout force	daN	6296
Lift capacity to maximum height	kg	3550
Operating weight	kg	8340

BACKHOE SPECIFICATIONS		STD / HED
A Loading reach at max height	mm	2215/2731
B Bucket rotation	°	204
C Maximum height	mm	5680/6300
D Maximum dig depth (SAE)	mm	4270/5500
D Maximum dig depth (MAX)	mm	4605/5815
E Maximum dump height	mm	3750/4490
F Maximum reach	mm	5530/6645
Maximum lift capacity ISO	kg	2080/1470

BREAKOUT FORCE		Retracted / Extended
Bucket cylinder	daN	6400 / 6400
Dipper cylinder	daN	4620 / 3200



LB95/110/115.B PERFORMANCES



LOADER SPECIFICATIONS (6 in 1 bucket)		LB95/110.B	LB115.B
I Maximum operating height	mm	4324	4347
J Below ground dig depth	mm	60	84
K Hinge pin height	mm	3530	3480
L Dump height	mm	2790	2740
M Reach at full height dumped	mm	820	812
N Reach at ground level	mm	1449	1340
O Bucket roll back on ground	°	40°	45°

Maximum loader breakout force	daN	6296	7400
Lift capacity to maximum height	kg	3550	3500
Operating weight	kg	8360/8385	8700

BACKHOE SPECIFICATIONS		STD / HED	STD / HED
A Loading reach at max height	mm	2350 / 2870	2350 / 2870
B Bucket rotation	°	160/204	160/204
C Maximum height	mm	5785 / 6470	5807 / 6492
D Maximum dig depth (SAE)	mm	4615 / 5800	4593 / 5778
D Maximum dig depth (MAX)	mm	4950 / 6115	4928 / 6093
E Maximum dump height	mm	3950 / 4640	3972 / 4662
F Maximum reach	mm	5880 / 6950	5880 / 6950
Maximum lift capacity ISO	kg	2100 / 1440	2100 / 1440

BREAKOUT FORCE		Retracted / Extended
Bucket cylinder	daN	6400 / 6400
Dipper cylinder	daN	4620 / 3200





PARTS & SERVICE



The New Holland dealer network is, in itself, the best guarantee of continued productivity for the machines it delivers to its customers. New Holland service technicians are fully equipped to resolve all maintenance and repair issues, with each and every service point providing the high standards they are obliged to observe under New Holland's stringent quality guidelines. The New Holland global parts network ensures fast, reliable, replacement parts for less downtime, increased productivity and, of course, profitable operation for its customers.

CNH Capital

A critical business partner and leading finance solutions provider, CNH Capital is making it easier than ever for you to acquire and finance top quality construction equipment.

Whether you are operating your own equipment, or managing a fleet of several hundred units, CNH Capital's focus is on you, our customers, your business success and the success of the dealer network that supports you.

By listening to your needs, and those of our construction equipment dealers, and by offering the right mix of products, flexible terms and competitive finance rates, CNH Capital strengthens the bond between our customers, our dealers and our manufacturing facilities.

When the best equipment deserves the best financing solution, you can count on CNH Capital as a specialist in the field of construction equipment.

With CNH Capital, let us find the best financing solution to meet your needs and you can focus on your day to day business and on getting the very best out of your equipment.





AT YOUR OWN DEALERSHIP

The information contained in this brochure is intended to be a general nature only. The NEW HOLLAND KOBELCO CONSTRUCTION MACHINERY S.p.A. company may at any time and from time to time, for technical or other necessary reasons, modify any of the details or specifications of the product described in this brochure. Illustrations do not necessarily show products in standard conditions. The dimensions, weights and capacities shown herein, as well as any conversion data used, are approximate only and are subject to variations within normal manufacturing techniques.

Published by NEW HOLLAND KOBELCO CONSTRUCTION MACHINERY S.p.A. - www.newholland.com
Printed in Italy - LEADER Firenze - Cod. 73301021 - INB - Printed 02/05

 **NEW HOLLAND**



NEW HOLLAND IS A BRAND OF CNH.
CNH: THE TOTAL SOLUTIONS CHOICE FOR YOUR SPECIFIC BUSINESS NEEDS.