



JLG®

1500SJ



Features



- Telescopic Upper Jib – extends from 4.65m to 7.62m with 120 degrees (+75 / -45 degrees) vertical range of motion.



Features



New LCD Display, mounted to the top of JLG standard control panel.

Features



Compact transport dimensions allowing for transport on vehicles capable of carrying 22 ton.

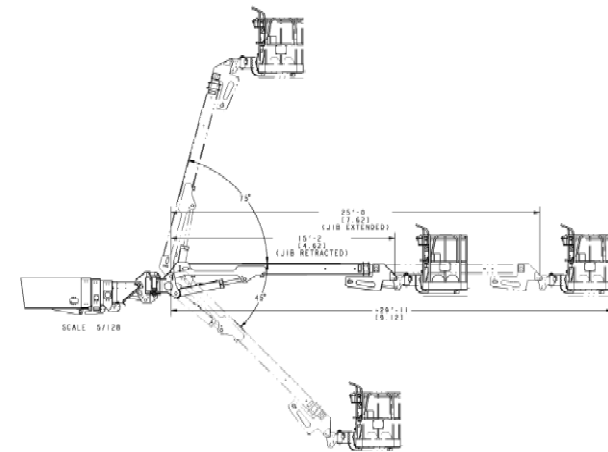
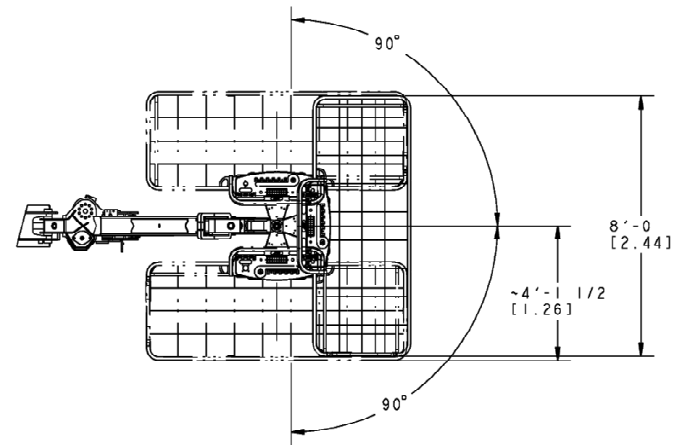
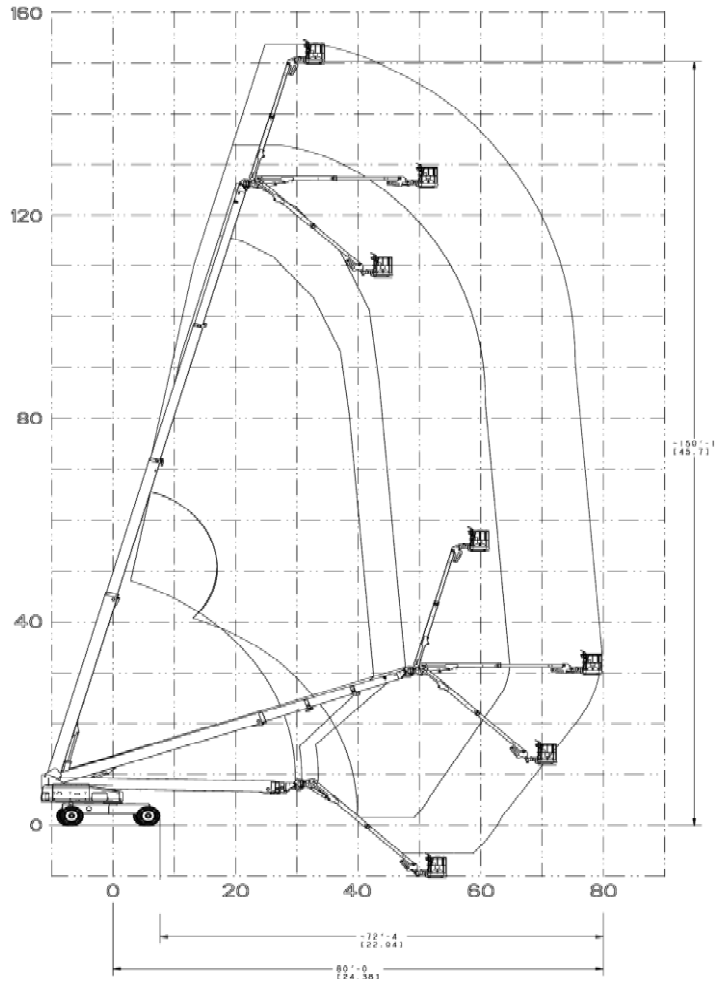
Unable to slew unit when in transport mode. To slew, axles need to be extended.



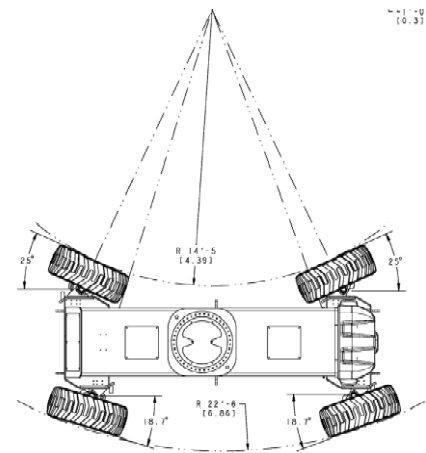
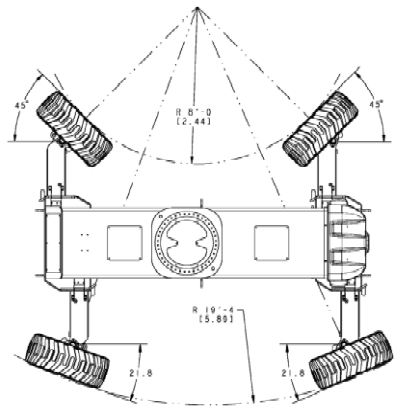
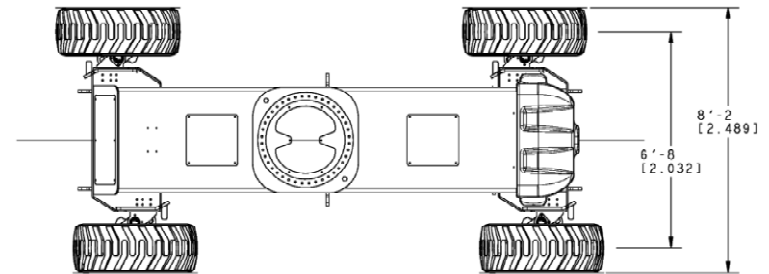
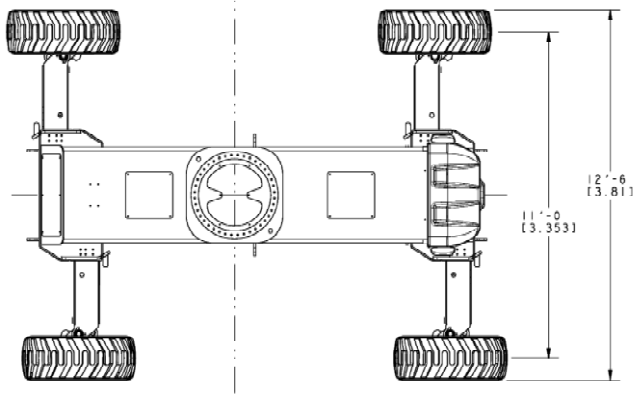
Features

- Duetz Diesel engine with optional exhaust purifier.
- 4 wheel drive
- 4 Wheel steer, Crab steer
- 4 Wheel Brakes
- Oscillating front axle
- Jib stowable for transport
- 2.4mtr (8ft) basket with side entry gate
- Load Sensing Platform System
- Platform display screen for operator
- Analyser adjustable work envelopes
- Urethane filled puncture proof tyres
- 5. 5kVa generator
- MSHA Hoses
- Flashing Amber Beacon
- Windout engine compartment
- Metal Covers
- Cylinder Bellows
- Hydraulic Oil Cooler
- David Clark Communications system
- Slew pinion cover

Work Chart and Diagrams



Diagrams



Preliminary Spec's

Specification	1500SJ	Specification	1500SJ
Maximum Working Height	47.55m	Length Transport (Storage)	14.91m
Maximum Platform Height - unrestricted	45.72m	Width Transport (Storage)	2.49m
Horizontal Reach Maximum - Unrestricted	24.38m	Turntable Tailswing	1.68m
Maximum Platform Height - Restricted	42.67m	Load Capacity Maximum	454kg
Horizontal Reach Maximum - Restricted	21.34m	Platform Dimensions	0.91m x 2.44m
Jib Length	4.65m – 7.62m	Platform Rotation	180 degrees
Jib Range of Motion	+75 / -45 Degrees	Ground Clearance	0.30m
Turntable Rotation	360 Degrees Continuous***	Rated Ground Slope	5 degrees
Height, Stowed	3.05m	Turning Radius Inside Retracted	4.39m
Length, Stowed	18.69m	Turning Radius Outside Extended	5.89m
Width (Std Tyres)	3.81m	Gradeability Max.	40%
Height Transport (Storage)	3.05m	Gross Vehicle Weight	21,772kg