

Wheeled Excavator

A 914
Litronic®

Operating Weight: 15,200 – 17,500 kg
Engine Output: 100 kW / 136 HP
Bucket Capacity: 0.17 – 0.80 m³



LIEBHERR

Technical Data



Engine

Rating per ISO 9249	100 kW (136 HP) at 1,800 RPM
Model	Liebherr D 834/Stage IIIB
Type	4 cylinder in-line
Bore/Stroke	108/125 mm
Displacement	4.6 l
Engine operation	4-stroke diesel common-rail-injection turbo-charged and after-cooler reduced emissions
Harmful emissions values	in accordance with 97/68/EG Stage IIIB
Emission control	oxydation catalyst
Option	Liebherr particle filter
Cooling system	water-cooled and integrated motor oil cooler
Air cleaner	dry-type air cleaner with pre-cleaner, main and safety elements
Fuel tank	360 l
Engine idling	sensor controlled
Electrical system	
Voltage	24 V
Batteries	2 x 135 Ah/12 V
Alternator	three phase current 28 V/110 A



Hydraulic System

Hydraulic pump	Liebherr, variable displacement, swashplate pump
Max. flow	250 l/min.
Max. hydr. pressure	350 bar
Hydraulic pump regulation and control	Liebherr-Synchron-Comfort-system (LSC) with electronic horsepower regulation, pressure cut-off, load sensing and torque controlled swing drive priority
Hydraulic tank capacity	150 l
Hydraulic system capacity	max. 280 l
Filtration	main return filter with integrated partial micro filtration (5 µm)
Cooling system	compact cooling system comprising cooling unit for water, hydraulic oil and charge air with stepless, thermostatically controlled fan
MODE selection	adjustment of engine and hydraulic performance via a mode pre-selector to match application, e.g. for especially economical and environmentally friendly operation or for maximum digging performance and heavy-duty jobs
Engine speed and performance setting	stepless alignment of engine output and hydraulic power via engine speed



Hydraulic Controls

Power distribution	via control valve with integrated safety valves, simultaneous and independent operation of travel drive, swing drive and work
Control type	
Attachment and swing	proportional via joystick levers
Travel	electroproportional via foot pedal
Additional functions	via switch and/or electroproportional foot pedals
Option	Liebherr-Proportional-Controls, proportionally acting transmitters on the joysticks for additional hydraulic functions



Swing Drive

Drive	Liebherr swashplate motor with torque control and integrated brake valve
Transmission	Liebherr compact planetary gear
Swing ring	Liebherr sealed single race ball bearing swing ring, internal teeth
Swing speed	0 – 9.0 RPM stepless
Swing torque	38 kNm
Brake	holding brake (spring applied – pressure released)
Option	pedal controlled positioning brake



Operator's Cab

Cab	ROPS safety cab structure (capable of sweeping over) with individual windscreens or featuring a slide-in subpart under the ceiling, work headlights integrated in the ceiling, a door with a side window (can be opened on both sides), large stowing and depositing possibilities, shock-absorbing suspension, sounddamping insulating, tinted laminated safety glass, separate window shades for the sunroof window and windscreen
Operator's seat Standard	air cushioned operator's seat with headrest, lap belt, seat heater, manual weight adjustment, adjustable seat cushion inclination and length and mechanical lumbar vertebrae support
Operator's seat Comfort (Option)	in addition to operator's seat standard: lockable horizontal suspension, automatic weight adjustment, adjustable suspension stiffness, pneumatic lumbar vertebrae support and passive seat climatisation with active coal
Operator's seat Premium (Option)	in addition to operator's seat comfort: active electronic weight adjustment (automatic readjustment), pneumatic low frequency suspension and active seat climatisation with active coal and ventilator
Control system	joysticks with arm consoles and swivel seat
Operation and displays	large high-resolution operating unit, selfexplanatory, with touchscreen function, video-compatible, numerous setting, control and monitoring options, e.g. air conditioning control, fuel consumption, machine and tool parameters
Air-conditioning	automatic air-conditioning, recirculated air function, fast de-icing and demisting at the press of a button, air vents can be operated via a menu; recirculated air and fresh air filters can be easily replaced and are accessible from the outside; heating-cooling unit, designed for extreme outside temperatures, sensors for solar radiation, inside and outside temperatures
Noise emission	
ISO 6396	L_{pA} (inside cab) = 71 dB(A)
2000/14/EC	L_{WA} (surround noise) = 100 dB(A)



Undercarriage

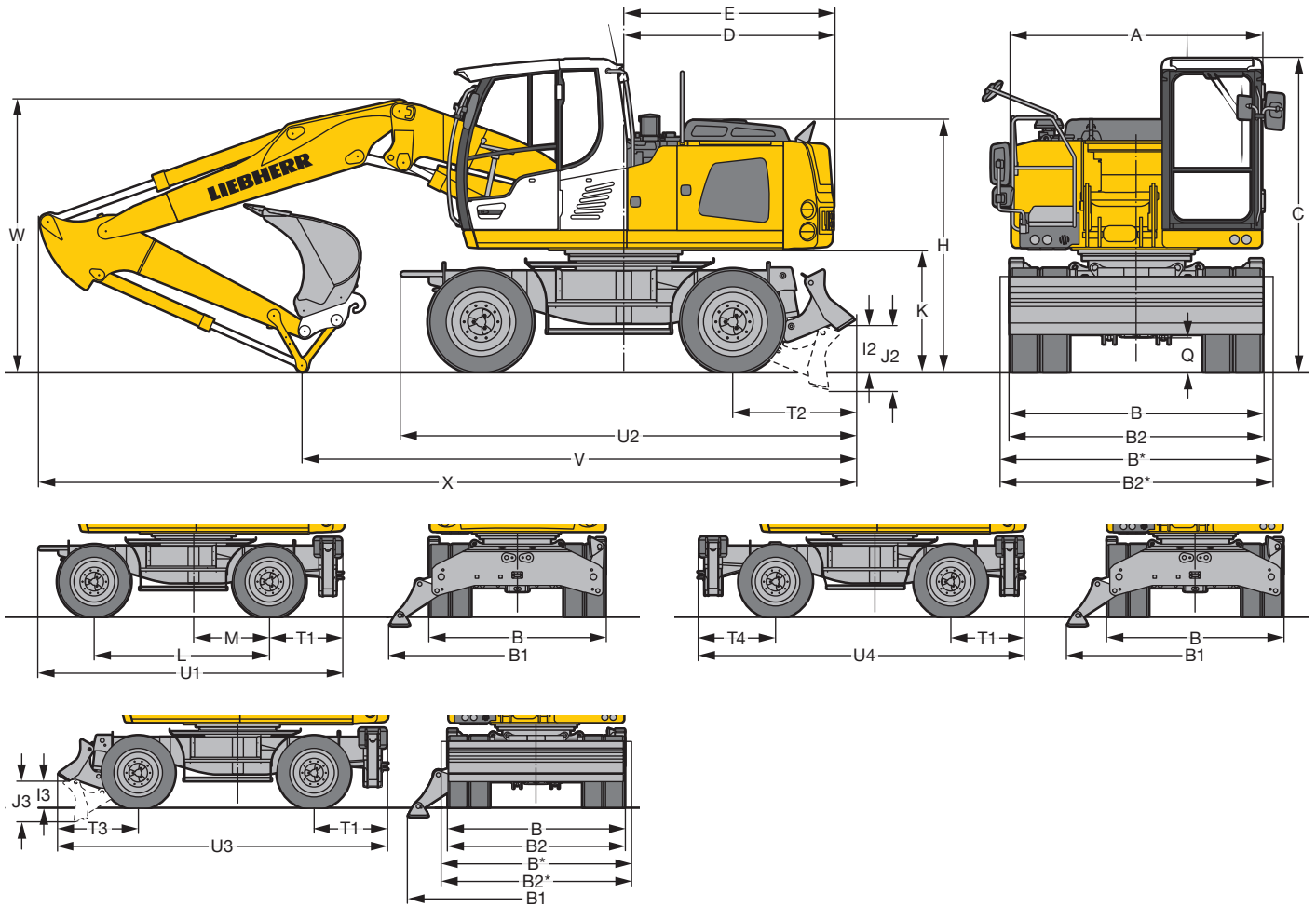
Drive	variable flow swashplate motor with automatic brake valve
Transmission	oversized two speed power shift transmission with additional creeper speed
Pulling force	89 kN
Travel speed	0 – 3.5 km/h (creeper speed off road) 0 – 7.0 km/h (off road) 0 – 13.0 km/h (creeper speed on road) 0 – 20.0 km/h (road travel) 0 – max. 25.0 or 30.0 km/h Speeder (Option)
Driving operation	automotive driving using accelerator pedal, cruise control function: storage of variable accelerator pedal positions, both off-road and on-road
Axles	automatic or operator controlled hydraulic front axle oscillation lock
Brakes	steering and rigid axle with wet, maintenance-free multi disc brakes with minimized backlash. Spring applied/pressure released parking brake integrated into gear box
Stabilization	stabilizing blade (adjustable during travel for dozing) 2 point outriggers stabilizing blade + 2 point outriggers 4 point outriggers
Option	EW-undercarriage 2.75 m/9'



Attachment

Hydraulic cylinders	Liebherr cylinders with special seal system. Shock absorption
Bearings	sealed, low maintenance
Lubrication	Liebherr central lubrication system (country-dependent)

Dimensions



	mm
A	2,520
B	2,550
B*	2,750
B1	3,692
B2	2,550
B2*	2,750
C	3,153
D	2,120
E	2,160
H	2,540
I2	423
I3	380
J2	604
J3	585
K	1,230
L	2,540
M	1,100
Q	350
T1	1,047
T2	1,230
T3	1,153
T4	1,097
U1	4,390
U2	4,573
U3	4,740
U4	4,684

* EW-Undercarriage

E = Tail radius

Tires 10.00-20

	Stick	Two-piece Boom 3.20 m			Mono Boom 4.60 m			
		stabil. blade	2 pt. outr.	blade + 2 pt. outr.	stabil. blade	2 pt. outr.	blade + 2 pt. outr.	4 pt. outr.
	m	mm	mm	mm	mm	mm	mm	mm
V	2.25	5,550	5,400	5,400	5,050	4,900	5,350*	5,300*
	2.45	5,200	5,050	5,500*	5,200	5,000	5,450*	5,400*
	2.65	5,050	4,900	5,350*	5,000	4,850	5,250*	5,200*
W	2.25	2,850	2,850	2,850	2,900	2,900	2,900*	2,900*
	2.45	2,800	2,800	2,800*	3,100	3,100	3,100*	3,100*
	2.65	2,850	2,850	2,850*	3,150	3,150	2,900*	2,900*
X	2.25	8,350	8,150	8,150	8,050	7,850	8,300*	8,250*
	2.45	8,350	8,150	8,600*	8,100	7,950	8,400*	8,350*
	2.65	8,350	8,200	8,650*	8,100	7,950	8,350*	8,250*

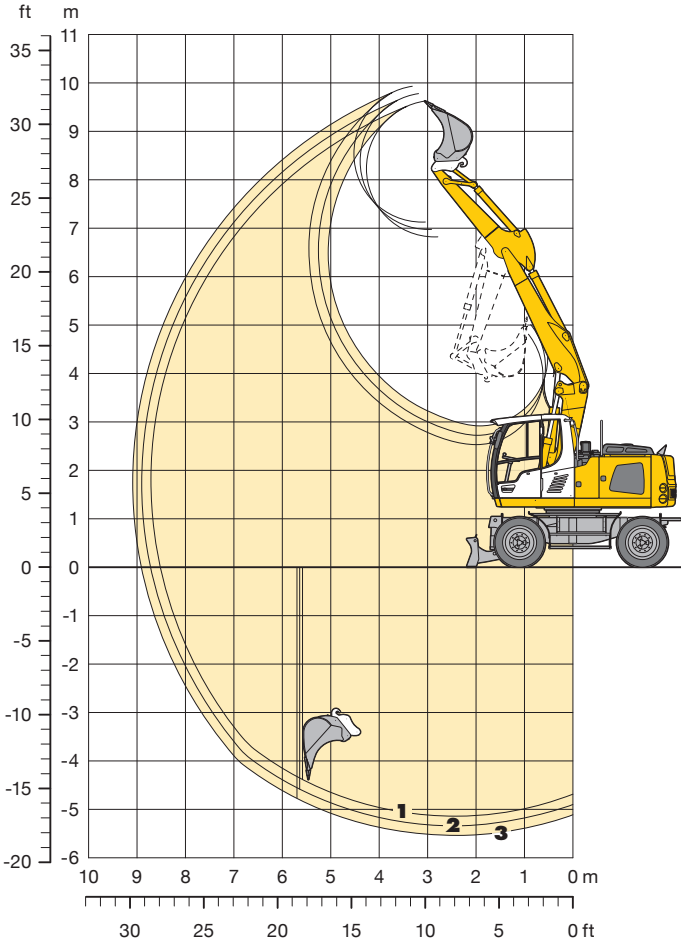
	Stick	Offset Two-piece Boom 3.30 m			Offset Mono Boom 4.30 m		
		stabil. blade	2 pt. outr.	blade + 2 pt. outr.	stabil. blade	2 pt. outr.	blade + 2 pt. outr.
	m	mm	mm	mm	mm	mm	mm
V	2.25	5,950	5,750	5,750	5,400	5,200	5,650*
	2.45	5,550	5,400	5,400	5,100	4,950	5,250
	2.65	5,150	4,950	5,400*	5,000	4,800	5,550*
W	2.25	3,100	3,100	3,100	3,100	3,100	3,100*
	2.45	3,050	3,050	3,050	3,100	3,100	3,100
	2.65	2,950	2,950	2,950*	3,100	3,100	3,100*
X	2.25	8,350	8,200	8,200	7,800	7,600	8,050*
	2.45	8,400	8,250	8,250	7,850	7,650	7,650
	2.65	8,400	8,250	8,650*	7,900	7,700	8,150*

Dimensions are with attachment over steering axle

* Attachment over digging axle for shorter transport dimensions

Backhoe Bucket

with Two-piece Boom 3.20 m



Digging Envelope with Quick Coupler

		1	2	3
Stick length	m	2.25	2.45	2.65
Max. digging depth	m	5.15	5.35	5.55
Max. reach at ground level	m	8.50	8.70	8.90
Max. dumping height	m	6.80	7.00	7.10
Max. teeth height	m	9.65	9.80	9.95
Min. attachment radius	m	2.55	2.40	2.45

Digging Forces without Quick Coupler

		1	2	3
Max. digging force (ISO 6015)	kN	67.9	63.8	60.1
	t	6.9	6.5	6.1
Max. breakout force (ISO 6015)	kN	88.2	88.2	88.2
	t	9.0	9.0	9.0

Max. breakout force with ripper bucket 124.1 kN (12.6 t)
 Max. possible digging force (stick 1.70 m) 82.9 kN (8.5 t)

Operating Weight

The operating weight includes the basic machine with 8 tires plus intermediate rings, two-piece boom 3.20 m, stick 2.25 m, quick coupler 33 and bucket 850 mm/0.50 m³.

Undercarriage versions	Weight
A 914 Litronic [®] with stabilizer blade	15,500 kg
A 914 Litronic [®] with 2 pt. outriggers	15,800 kg
A 914 Litronic [®] with stabilizer blade + 2 pt. outriggers	16,700 kg
A 914 EW Litronic [®] with stabilizer blade	15,800 kg
A 914 EW Litronic [®] with stabilizer blade + 2 pt. outriggers	17,000 kg

Buckets Machine stability per ISO 10567* (75% of tipping capacity)

Cutting width mm	Capacity ISO 7451 ¹⁾ m ³	Weight kg	Stabilizers raised			Stabilizer blade down			2 point outriggers down			Stabilizer blade + 2 pt. outr. down			EW Stabilizers raised			EW Stabilizer blade down			EW Stabilizer blade + 2 pt. outr. down		
			Stick length (m)			Stick length (m)			Stick length (m)			Stick length (m)			Stick length (m)			Stick length (m)			Stick length (m)		
			2.25	2.45	2.65	2.25	2.45	2.65	2.25	2.45	2.65	2.25	2.45	2.65	2.25	2.45	2.65	2.25	2.45	2.65	2.25	2.45	2.65
300 ²⁾	0.17	220	□	□	□	□	□	□	□	□	□	□	□	□	□	□	□	□	□	□	□	□	□
400 ²⁾	0.24	250	□	□	□	□	□	□	□	□	□	□	□	□	□	□	□	□	□	□	□	□	□
500 ²⁾	0.28	250	□	□	□	□	□	□	□	□	□	□	□	□	□	□	□	□	□	□	□	□	□
550 ²⁾	0.29	260	□	□	□	□	□	□	□	□	□	□	□	□	□	□	□	□	□	□	□	□	□
650 ²⁾	0.36	290	□	□	□	□	□	□	□	□	□	□	□	□	□	□	□	□	□	□	□	□	□
850 ²⁾	0.50	340	□	□	□	□	□	□	□	□	□	□	□	□	□	□	□	□	□	□	□	□	□
1,050 ²⁾	0.65	380	□	□	□	□	□	□	□	□	□	□	□	□	□	□	□	□	□	□	□	□	□
1,250 ²⁾	0.80	430	△	△	△	□	□	△	□	□	□	□	□	□	□	□	□	□	□	□	□	□	□
300 ³⁾	0.18	210	□	□	□	□	□	□	□	□	□	□	□	□	□	□	□	□	□	□	□	□	□
400 ³⁾	0.26	240	□	□	□	□	□	□	□	□	□	□	□	□	□	□	□	□	□	□	□	□	□
500 ³⁾	0.30	240	□	□	□	□	□	□	□	□	□	□	□	□	□	□	□	□	□	□	□	□	□
550 ³⁾	0.31	250	□	□	□	□	□	□	□	□	□	□	□	□	□	□	□	□	□	□	□	□	□
650 ³⁾	0.39	270	□	□	□	□	□	□	□	□	□	□	□	□	□	□	□	□	□	□	□	□	□
850 ³⁾	0.53	320	□	□	□	□	□	□	□	□	□	□	□	□	□	□	□	□	□	□	□	□	□
1,050 ³⁾	0.71	370	□	□	△	□	□	□	□	□	□	□	□	□	□	□	□	□	□	□	□	□	□
1,250 ³⁾	0.87	420	△	■	■	□	△	△	□	□	□	□	□	□	□	△	△	□	□	□	□	□	□

* Indicated loads are based on ISO 10567 and do not exceed 75% of tipping or 87% of hydraulic capacity, max. stick length without quick coupler, lifted 360° on firm with blocked oscillating axle

1) comparable with SAE (heaped)

2) Bucket with teeth (also available in HD version) 3) Bucket with cutting edge (also available in HD version)

Buckets up to 400 mm cutting width with limited digging depth

Max. material weight □ = ≤ 1.8 t/m³, △ = ≤ 1.5 t/m³, ■ = ≤ 1.2 t/m³, ▲ = not authorized

Lift Capacities

with Two-piece Boom 3.20 m

Stick 2.25 m


m	Undercarriage	3.0 m		4.5 m		6.0 m		7.5 m		m
		Can be slewed through 360°	In longitudinal position of undercarriage	Can be slewed through 360°	In longitudinal position of undercarriage	Can be slewed through 360°	In longitudinal position of undercarriage	Can be slewed through 360°	In longitudinal position of undercarriage	
7.5	Stabilizers raised			2.3*	2.3*			2.2*	2.2*	4.5
	Stabilizer blade down			2.3*	2.3*			2.2*	2.2*	
	2 pt. outriggers down Blade + 2 pt. down			2.3*	2.3*			2.2*	2.2*	
6.0	Stabilizers raised			3.8	3.9*	2.2*	2.2*	1.9*	1.9*	6.1
	Stabilizer blade down			3.9*	3.9*	2.2*	2.2*	1.9*	1.9*	
	2 pt. outriggers down Blade + 2 pt. down			3.9*	3.9*	2.2*	2.2*	1.9*	1.9*	
4.5	Stabilizers raised			3.7	4.9*	2.4	3.8	1.8	1.9*	6.9
	Stabilizer blade down			4.1	4.9*	2.6	3.9*	1.9*	1.9*	
	2 pt. outriggers down Blade + 2 pt. down			4.9*	4.9*	3.2	3.9*	1.9*	1.9*	
3.0	Stabilizers raised	6.5	9.0*	3.7	5.7	2.3	3.8	1.6	1.9*	7.4
	Stabilizer blade down	7.2*	9.0*	4.0	5.7*	2.6	4.5*	1.7	1.9*	
	2 pt. outriggers down Blade + 2 pt. down	9.0*	9.0*	4.9	5.7*	3.2	4.5*	1.9*	1.9*	
1.5	Stabilizers raised	6.4*	9.8*	3.6	5.6	2.3	3.7	1.5	2.1*	7.5
	Stabilizer blade down	7.1	9.8*	4.0*	6.5*	2.5	4.7*	1.7	2.1*	
	2 pt. outriggers down Blade + 2 pt. down	8.8	9.8*	4.8	6.5*	3.1	4.7*	2.1*	2.1*	
0	Stabilizers raised	6.2	10.5*	3.4	5.7	2.1	3.6	1.5	2.5*	7.3
	Stabilizer blade down	7.0	10.5*	3.8	6.6*	2.4	4.8*	1.7	2.5*	
	2 pt. outriggers down Blade + 2 pt. down	8.9	10.5*	4.8	6.6*	3.0	4.8*	2.2	2.5*	
-1.5	Stabilizers raised	5.9	10.8*	3.2	5.5	2.0	3.4	1.7	2.9	6.7
	Stabilizer blade down	6.7	10.8*	3.6	6.7*	2.2	4.6*	1.9	3.2*	
	2 pt. outriggers down Blade + 2 pt. down	8.8	10.8*	4.6	6.7*	2.9	4.6*	2.4	3.2*	
-3.0	Stabilizers raised	5.6	10.4*	3.0	5.3			2.1	3.0*	5.6
	Stabilizer blade down	6.4	10.4*	3.4	5.7*			2.4	3.0*	
	2 pt. outriggers down Blade + 2 pt. down	8.5	10.4*	4.3	5.7*			3.0*	3.0*	

Stick 2.45 m

m	Undercarriage	3.0 m		4.5 m		6.0 m		7.5 m		m
		Can be slewed through 360°	In longitudinal position of undercarriage	Can be slewed through 360°	In longitudinal position of undercarriage	Can be slewed through 360°	In longitudinal position of undercarriage	Can be slewed through 360°	In longitudinal position of undercarriage	
7.5	Stabilizers raised			2.7*	2.7*			2.0*	2.0*	4.9
	Stabilizer blade down			2.7*	2.7*			2.0*	2.0*	
	2 pt. outriggers down Blade + 2 pt. down			2.7*	2.7*			2.0*	2.0*	
6.0	Stabilizers raised			3.6*	3.6*	2.3	2.5*	1.8*	1.8*	6.3
	Stabilizer blade down			3.6*	3.6*	2.5*	2.5*	1.8*	1.8*	
	2 pt. outriggers down Blade + 2 pt. down			3.6*	3.6*	2.5*	2.5*	1.8*	1.8*	
4.5	Stabilizers raised			3.7	4.4*	2.4	3.8*	1.7	1.7*	7.1
	Stabilizer blade down			4.1	4.4*	2.6*	3.8*	1.7*	1.7*	
	2 pt. outriggers down Blade + 2 pt. down			4.4*	4.4*	3.2*	3.8*	1.7*	1.7*	
3.0	Stabilizers raised	6.5*	8.5*	3.6	5.6*	2.4	3.8	1.5	2.0*	7.6
	Stabilizer blade down	7.2	8.5*	4.0	5.6*	2.6	4.4*	1.7	2.0*	
	2 pt. outriggers down Blade + 2 pt. down	8.5*	8.5*	4.9	5.6*	3.2	4.4*	2.0*	1.8*	
1.5	Stabilizers raised	6.4	9.7*	3.6	5.6	2.3	3.7	1.5	2.5	7.7
	Stabilizer blade down	7.0	9.7*	4.0*	6.4*	2.5	4.7*	1.6	2.6*	
	2 pt. outriggers down Blade + 2 pt. down	8.8*	9.7*	4.8*	6.4*	3.1	4.7*	2.1	2.6*	
0	Stabilizers raised	6.3	10.4*	3.4	5.6	2.1	3.6	1.4	2.2*	7.5
	Stabilizer blade down	7.1	10.4*	3.8	6.6*	2.4	4.7*	1.6	2.2*	
	2 pt. outriggers down Blade + 2 pt. down	8.9*	10.4*	4.9	6.6*	3.0	4.7*	2.1	2.2*	
-1.5	Stabilizers raised	5.9	10.7*	3.2	5.6	2.0	3.4	1.6	2.8	6.9
	Stabilizer blade down	6.7	10.7*	3.6	6.7*	2.2	4.7*	1.8	2.8*	
	2 pt. outriggers down Blade + 2 pt. down	8.8	10.7*	4.6	6.7*	2.9	4.7*	2.3	2.8*	
-3.0	Stabilizers raised	5.6	10.7*	3.0	5.3			2.0	3.0*	5.9
	Stabilizer blade down	6.4	10.7*	3.4	6.1*			2.2	3.0*	
	2 pt. outriggers down Blade + 2 pt. down	8.5	10.7*	4.3	6.1*			2.9	3.0*	

Stick 2.65 m

m	Undercarriage	3.0 m		4.5 m		6.0 m		7.5 m		m
		Can be slewed through 360°	In longitudinal position of undercarriage	Can be slewed through 360°	In longitudinal position of undercarriage	Can be slewed through 360°	In longitudinal position of undercarriage	Can be slewed through 360°	In longitudinal position of undercarriage	
7.5	Stabilizers raised			2.8*	2.8*			1.8*	1.8*	5.2
	Stabilizer blade down			2.8*	2.8*			1.8*	1.8*	
	2 pt. outriggers down Blade + 2 pt. down			2.8*	2.8*			1.8*	1.8*	
6.0	Stabilizers raised			3.4*	3.4*	2.4	2.6*	1.6*	1.6*	6.5
	Stabilizer blade down			3.4*	3.4*	2.6	2.6*	1.6*	1.6*	
	2 pt. outriggers down Blade + 2 pt. down			3.4*	3.4*	2.6*	2.6*	1.6*	1.6*	
4.5	Stabilizers raised			3.7	4.0*	2.4	3.6*	1.6*	1.6*	7.3
	Stabilizer blade down			4.0*	4.0*	2.7	3.6*	1.6*	1.6*	
	2 pt. outriggers down Blade + 2 pt. down			4.0*	4.0*	3.3	3.6*	1.6*	1.6*	
3.0	Stabilizers raised	6.5	8.1*	3.6	5.4*	2.4	3.8*	1.5	2.4*	7.8
	Stabilizer blade down	7.2	8.1*	4.0	5.4*	2.6	4.3*	1.7	2.4*	
	2 pt. outriggers down Blade + 2 pt. down	8.1*	8.1*	4.9	5.4*	3.2	4.3*	2.2	2.4*	
1.5	Stabilizers raised	6.3	9.6*	3.6	5.6*	2.3	3.7	1.5	2.5	7.9
	Stabilizer blade down	7.0*	9.6*	3.9	6.3*	2.5	4.6*	1.7	3.0*	
	2 pt. outriggers down Blade + 2 pt. down	8.8	9.6*	4.8	6.3*	3.2	4.6*	2.1	3.0*	
0	Stabilizers raised	6.3	10.3*	3.5	5.6	2.1	3.6	1.4	2.5	7.7
	Stabilizer blade down	7.0*	10.3*	3.9	6.5*	2.4	4.7*	1.6	2.7*	
	2 pt. outriggers down Blade + 2 pt. down	8.8*	10.3*	4.8	6.5*	3.0	4.7*	2.1	2.7*	
-1.5	Stabilizers raised	5.9	10.6*	3.2	5.6	2.0	3.4*	1.5	2.5*	7.1
	Stabilizer blade down	6.7	10.6*	3.6	6.6*	2.2	4.7*	1.7	2.5*	
	2 pt. outriggers down Blade + 2 pt. down	8.8	10.6*	4.6	6.6*	2.9	4.7*	2.2	2.5*	
-3.0	Stabilizers raised	5.6	10.9*	3.0	5.3	1.9	3.3*	1.8	3.0*	6.2
	Stabilizer blade down	6.4	10.9*	3.4	6.3*	2.1	3.3*	2.1	3.0*	
	2 pt. outriggers down Blade + 2 pt. down	8.6	10.9*	4.3	6.3*	2.8	3.3*	2.7	3.0*	

 Height
  Can be slewed through 360°
  In longitudinal position of undercarriage
  Max. reach
 * Limited by hydr. capacity

The lift capacities on the load hook of the Liebherr quick coupler 33 without working tool are stated in metric tons (t) and are valid on a firm, level supporting surface with blocked oscillating axle. These capacities can be slewed through 360° with the undercarriage in the transverse position. Capacities in the longitudinal position of the undercarriage (+/- 15°) are specified over the steering axle with the stabilizers raised and over the rigid axle with the stabilizers down. The values apply when the adjusting cylinder is in the optimal position. Indicated loads comply with the ISO 10567 standard and do not exceed 75 % of tipping or 87 % of hydraulic capacity, or are limited by the permissible load of the load hook on the quick coupler (max. 5 t). Without the quick coupler, lift capacities will increase by up to 110 kg.

In accordance with the harmonised EU Standard EN 474-5, hydraulic excavators used for lifting operations must be equipped with pipe rupture protection devices on the hoist cylinders and an overload warning device.

Lift Capacities

with Two-piece Boom 3.20 m EW-Undercarriage

Stick 2.25 m

m	Undercarriage	3.0 m		4.5 m		6.0 m		7.5 m		m		
7.5	Stabilizers raised			2.3*	2.3*					2.2*	2.2*	4.5
	Stabilizer blade down			2.3*	2.3*					2.2*	2.2*	
	Blade + 2 pt. down			2.3*	2.3*					2.2*	2.2*	
6.0	Stabilizers raised			3.9*	3.9*	2.2*	2.2*			1.9*	1.9*	6.1
	Stabilizer blade down			3.9*	3.9*	2.2*	2.2*			1.9*	1.9*	
	Blade + 2 pt. down			3.9*	3.9*	2.2*	2.2*			1.9*	1.9*	
4.5	Stabilizers raised			4.1	4.9*	2.6	3.9			1.9*	1.9*	6.9
	Stabilizer blade down			4.5	4.9*	2.9	3.9*			1.9*	1.9*	
	Blade + 2 pt. down			4.9*	4.9*	3.9*	3.9*			1.9*	1.9*	
3.0	Stabilizers raised	7.3	9.0*	4.0	5.7*	2.6	3.8			1.8	1.9*	7.4
	Stabilizer blade down	8.1	9.0*	4.4	5.7*	2.9	4.5*			1.9*	1.9*	
	Blade + 2 pt. down	9.0*	9.0*	5.7*	5.7*	4.2	4.5*			1.9*	1.9*	
1.5	Stabilizers raised	7.1	9.8*	4.0	5.7*	2.5	3.8			1.7	2.1*	7.5
	Stabilizer blade down	7.9	9.8*	4.4	6.5*	2.8	4.7*			1.9	2.1*	
	Blade + 2 pt. down	9.8*	9.8*	6.2*	6.5*	4.2	4.7*			2.1*	2.1*	
0	Stabilizers raised	7.1	10.5*	3.9	5.8	2.4	3.6			1.7	2.5*	7.3
	Stabilizer blade down	8.0	10.5*	4.3	6.6*	2.7	4.8*			1.9	2.5*	
	Blade + 2 pt. down	10.5*	10.5*	6.3	6.6*	4.0	4.8*			2.5*	2.5*	
-1.5	Stabilizers raised	6.7	10.8*	3.6	5.6	2.2	3.5			1.9	3.0	6.7
	Stabilizer blade down	7.7	10.8*	4.0	6.7*	2.5	4.6*			2.1	3.2*	
	Blade + 2 pt. down	10.8*	10.8*	6.3	6.7*	3.9	4.6*			3.2*	3.2*	
-3.0	Stabilizers raised	6.4	10.4*	3.4	5.4					2.4	3.0*	5.6
	Stabilizer blade down	7.4	10.4*	3.8	5.7*					2.7	3.0*	
	Blade + 2 pt. down	10.4*	10.4*	5.7*	5.7*					3.0*	3.0*	

Stick 2.45 m

m	Undercarriage	3.0 m		4.5 m		6.0 m		7.5 m		m		
7.5	Stabilizers raised			2.7*	2.7*					2.0*	2.0*	4.9
	Stabilizer blade down			2.7*	2.7*					2.0*	2.0*	
	Blade + 2 pt. down			2.7*	2.7*					2.0*	2.0*	
6.0	Stabilizers raised			3.6*	3.6*	2.5*	2.5*			1.8*	1.8*	6.3
	Stabilizer blade down			3.6*	3.6*	2.5*	2.5*			1.8*	1.8*	
	Blade + 2 pt. down			3.6*	3.6*	2.5*	2.5*			1.8*	1.8*	
4.5	Stabilizers raised			4.1	4.4*	2.7	3.8*			1.7*	1.7*	7.1
	Stabilizer blade down			4.4*	4.4*	2.9	3.8*			1.7*	1.7*	
	Blade + 2 pt. down			4.4*	4.4*	3.8*	3.8*			1.7*	1.7*	
3.0	Stabilizers raised	7.3*	8.5*	4.0	5.6*	2.6	3.8	1.7	2.0*	1.7	1.8*	7.6
	Stabilizer blade down	8.1	8.5*	4.4	5.6*	2.9	4.4*	1.9	2.0*	1.8*	1.8*	
	Blade + 2 pt. down	8.5*	8.5*	5.6*	5.6*	4.2	4.4*	2.0*	2.0*	1.8*	1.8*	
1.5	Stabilizers raised	7.1	9.7*	4.0	5.7	2.5	3.8	1.7	2.6	1.6	1.9*	7.7
	Stabilizer blade down	7.9	9.7*	4.4	6.4*	2.8	4.7*	1.9	2.6*	1.8	1.9*	
	Blade + 2 pt. down	9.7*	9.7*	6.2	6.4*	4.2	4.7*	2.6*	2.6*	1.9*	1.9*	
0	Stabilizers raised	7.1	10.4*	3.9	5.7	2.4	3.7			1.6	2.2*	7.5
	Stabilizer blade down	7.9*	10.4*	4.3	6.6*	2.7	4.7*			1.8	2.2*	
	Blade + 2 pt. down	10.4*	10.4*	6.2	6.6*	4.1	4.7*			2.2*	2.2*	
-1.5	Stabilizers raised	6.7	10.7*	3.6	5.7	2.2	3.5			1.8	2.8*	6.9
	Stabilizer blade down	7.7	10.7*	4.1	6.7*	2.5	4.7*			2.0	2.8*	
	Blade + 2 pt. down	10.7*	10.7*	6.3	6.7*	3.9	4.7*			2.8*	2.8*	
-3.0	Stabilizers raised	6.5	10.7*	3.4	5.4					2.2	3.0*	5.9
	Stabilizer blade down	7.4	10.7*	3.8	6.1*					2.5	3.0*	
	Blade + 2 pt. down	10.7*	10.7*	6.1	6.1*					3.0*	3.0*	

Stick 2.65 m

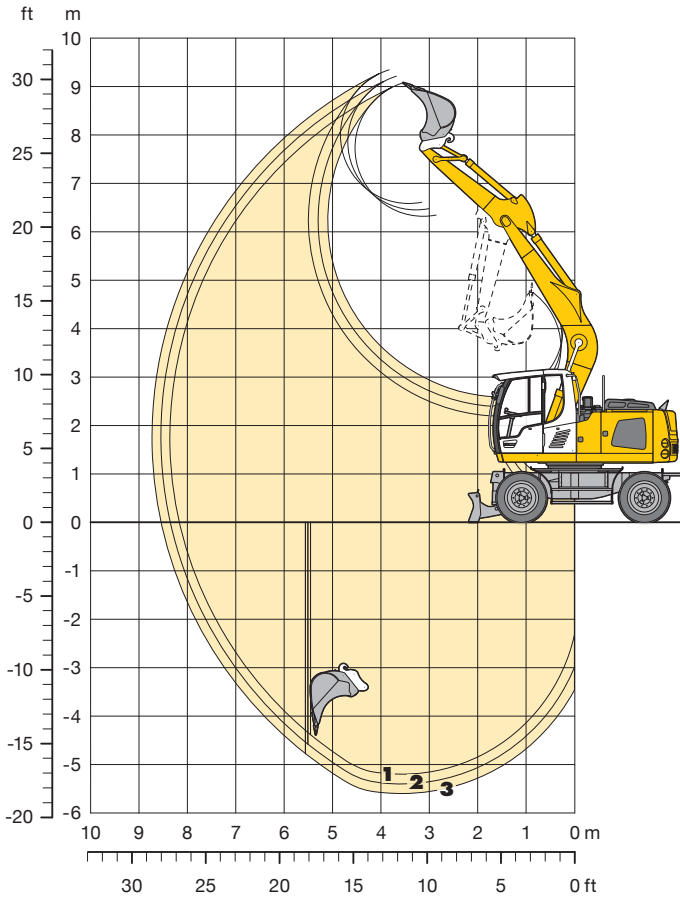
m	Undercarriage	3.0 m		4.5 m		6.0 m		7.5 m		m		
7.5	Stabilizers raised			2.8*	2.8*					1.8*	1.8*	5.2
	Stabilizer blade down			2.8*	2.8*					1.8*	1.8*	
	Blade + 2 pt. down			2.8*	2.8*					1.8*	1.8*	
6.0	Stabilizers raised			3.4*	3.4*	2.6*	2.6*			1.6*	1.6*	6.5
	Stabilizer blade down			3.4*	3.4*	2.6*	2.6*			1.6*	1.6*	
	Blade + 2 pt. down			3.4*	3.4*	2.6*	2.6*			1.6*	1.6*	
4.5	Stabilizers raised			4.0*	4.0*	2.7	3.6*			1.6*	1.6*	7.3
	Stabilizer blade down			4.0*	4.0*	2.9	3.6*			1.6*	1.6*	
	Blade + 2 pt. down			4.0*	4.0*	3.6*	3.6*			1.6*	1.6*	
3.0	Stabilizers raised	7.3*	8.1*	4.0	5.4*	2.6	3.8	1.7	2.4*	1.6*	1.6*	7.8
	Stabilizer blade down	8.1	8.1*	4.4	5.4*	2.9	4.3*	1.9	2.4*	1.6*	1.6*	
	Blade + 2 pt. down	8.1*	8.1*	5.4*	5.4*	4.2*	4.3*	2.4*	2.4*	1.6*	1.6*	
1.5	Stabilizers raised	7.1	9.6*	4.0	5.7	2.6	3.8	1.7	2.6	1.5	1.7*	7.9
	Stabilizer blade down	7.9	9.6*	4.3	6.3*	2.8	4.6*	1.9	3.0*	1.7	1.7*	
	Blade + 2 pt. down	9.6*	9.6*	6.2	6.3*	4.1	4.6*	2.9	3.0*	1.7*	1.7*	
0	Stabilizers raised	7.1	10.3*	3.9	5.7	2.4	3.7	1.6	2.5	1.5	2.0*	7.7
	Stabilizer blade down	7.9	10.3*	4.3	6.5*	2.7	4.7*	1.8	2.7*	1.7	2.0*	
	Blade + 2 pt. down	10.3*	10.3*	6.2*	6.5*	4.1	4.7*	2.7*	2.7*	2.0*	2.0*	
-1.5	Stabilizers raised	6.7	10.6*	3.7	5.7	2.3	3.5			1.7	2.5*	7.1
	Stabilizer blade down	7.7	10.6*	4.1	6.6*	2.5	4.7*			1.9	2.5*	
	Blade + 2 pt. down	10.6*	10.6*	6.3	6.6*	3.9	4.7*			2.5*	2.5*	
-3.0	Stabilizers raised	6.5	10.9*	3.4	5.4	2.2	3.3*			2.1	3.0*	6.2
	Stabilizer blade down	7.4	10.9*	3.8	6.3*	2.4	3.3*			2.4	3.0*	
	Blade + 2 pt. down	10.9*	10.9*	6.1	6.3*	3.3*	3.3*			3.0*	3.0*	

Height Can be slewed through 360° In longitudinal position of undercarriage Max. reach * Limited by hydr. capacity

The lift capacities on the load hook of the Liebherr quick coupler 33 without working tool are stated in metric tons (t) and are valid on a firm, level supporting surface with blocked oscillating axle. These capacities can be slewed through 360° with the undercarriage in the transverse position. Capacities in the longitudinal position of the undercarriage (+/- 15°) are specified over the steering axle with the stabilizers raised and over the rigid axle with the stabilizers down. The values apply when the adjusting cylinder is in the optimal position. Indicated loads comply with the ISO 10567 standard and do not exceed 75 % of tipping or 87 % of hydraulic capacity, or are limited by the permissible load of the load hook on the quick coupler (max. 5 t). Without the quick coupler, lift capacities will increase by up to 110 kg. In accordance with the harmonised EU Standard EN 474-5, hydraulic excavators used for lifting operations must be equipped with pipe rupture protection devices on the hoist cylinders and an overload warning device.

Backhoe Bucket

with Mono Boom 4.60 m



Digging Envelope with Quick Coupler

		1	2	3
Stick length	m	2.25	2.45	2.65
Max. digging depth	m	5.20	5.40	5.60
Max. reach at ground level	m	8.15	8.35	8.55
Max. dumping height	m	6.35	6.50	6.60
Max. teeth height	m	9.10	9.20	9.35
Min. attachment radius	m	2.40	2.15	2.10

Digging Forces without Quick Coupler

		1	2	3
Max. digging force (ISO 6015)	kN	67.9	63.8	60.1
	t	6.9	6.5	6.1
Max. breakout force (ISO 6015)	kN	88.2	88.2	88.2
	t	9.0	9.0	9.0

Max. breakout force with ripper bucket 124.1 kN (12.6 t)
 Max. possible digging force (stick 1.70 m) 82.9 kN (8.5 t)

Operating Weight

The operating weight includes the basic machine with 8 tires plus intermediate rings, mono boom 4.60 m, stick 2.25 m, quick coupler 33 and bucket 850 mm/0.50 m³.

Undercarriage versions	Weight
A 914 Litronic ² with stabilizer blade	15,200 kg
A 914 Litronic ² with 2 pt. outriggers	15,500 kg
A 914 Litronic ² with stabilizer blade + 2 pt. outriggers	16,400 kg
A 914 Litronic ² with 4 pt. outriggers	16,800 kg
A 914 EW Litronic ² with stabilizer blade	15,400 kg
A 914 EW Litronic ² with stabilizer blade + 2 pt. outriggers	16,600 kg

Buckets Machine stability per ISO 10567* (75% of tipping capacity)

Cutting width mm	Capacity ISO 7451 ¹⁾ m ³	Weight kg	Stabilizers raised			Stabilizer blade down			2 point outriggers down			Stabilizer blade + 2 pt. outr. down			4 point outriggers down			EW Stabilizers raised			EW Stabilizer blade down			EW Stabilizer blade + 2 pt. outr. down		
			Stick length (m)			Stick length (m)			Stick length (m)			Stick length (m)			Stick length (m)			Stick length (m)			Stick length (m)			Stick length (m)		
			2.25	2.45	2.65	2.25	2.45	2.65	2.25	2.45	2.65	2.25	2.45	2.65	2.25	2.45	2.65	2.25	2.45	2.65	2.25	2.45	2.65	2.25	2.45	2.65
400 ²⁾	0.24	250	□	□	□	□	□	□	□	□	□	□	□	□	□	□	□	□	□	□	□	□	□	□	□	
500 ²⁾	0.28	250	□	□	□	□	□	□	□	□	□	□	□	□	□	□	□	□	□	□	□	□	□	□	□	
550 ²⁾	0.29	260	□	□	□	□	□	□	□	□	□	□	□	□	□	□	□	□	□	□	□	□	□	□	□	
650 ²⁾	0.36	290	□	□	□	□	□	□	□	□	□	□	□	□	□	□	□	□	□	□	□	□	□	□	□	
850 ²⁾	0.50	340	□	□	□	□	□	□	□	□	□	□	□	□	□	□	□	□	□	□	□	□	□	□	□	
1,050 ²⁾	0.65	380	□	□	□	□	□	□	□	□	□	□	□	□	□	□	□	□	□	□	□	□	□	□	□	
1,250 ²⁾	0.80	430	△	△	△	□	□	□	□	□	□	□	□	□	□	□	□	□	□	□	□	□	□	□	□	
400 ³⁾	0.26	240	□	□	□	□	□	□	□	□	□	□	□	□	□	□	□	□	□	□	□	□	□	□	□	
500 ³⁾	0.30	240	□	□	□	□	□	□	□	□	□	□	□	□	□	□	□	□	□	□	□	□	□	□	□	
550 ³⁾	0.31	250	□	□	□	□	□	□	□	□	□	□	□	□	□	□	□	□	□	□	□	□	□	□	□	
650 ³⁾	0.39	270	□	□	□	□	□	□	□	□	□	□	□	□	□	□	□	□	□	□	□	□	□	□	□	
850 ³⁾	0.53	320	□	□	□	□	□	□	□	□	□	□	□	□	□	□	□	□	□	□	□	□	□	□	□	
1,050 ³⁾	0.71	370	□	□	□	□	□	□	□	□	□	□	□	□	□	□	□	□	□	□	□	□	□	□	□	
1,250 ³⁾	0.87	420	△	△	■	□	△	△	□	□	□	□	□	□	□	□	□	□	△	△	□	□	□	□	□	

* Indicated loads are based on ISO 10567 and do not exceed 75% of tipping or 87% of hydraulic capacity, max. stick length without quick coupler, lifted 360° on firm with blocked oscillating axle

1) comparable with SAE (heaped)

2) Bucket with teeth (also available in HD version) 3) Bucket with cutting edge (also available in HD version)

Buckets with 400 mm cutting width with limited digging depth

Max. material weight □ = ≤ 1.8 t/m³, △ = ≤ 1.5 t/m³, ■ = ≤ 1.2 t/m³, ▲ = not authorized

Lift Capacities

with Mono Boom 4.60 m EW-Undercarriage

Stick 2.25 m

m	Undercarriage	3.0 m		4.5 m		6.0 m		7.5 m		m	
7.5	Stabilizers raised Stabilizer blade down Blade + 2 pt. down									2.2* 2.2* 2.2* 2.2* 2.2* 2.2*	3.8
6.0	Stabilizers raised Stabilizer blade down Blade + 2 pt. down			3.5* 3.5* 3.5* 3.5*						1.9* 1.9* 1.9* 1.9* 1.9* 1.9*	5.6
4.5	Stabilizers raised Stabilizer blade down Blade + 2 pt. down			3.9* 3.9* 3.9* 3.9*	2.6 3.2* 2.9 3.2*					1.9* 1.9* 1.9* 1.9* 1.9* 1.9*	6.5
3.0	Stabilizers raised Stabilizer blade down Blade + 2 pt. down	7.1 7.2* 7.2* 7.2*	7.2* 7.2* 7.2* 7.2*	3.8 4.3 4.3 4.9*	4.9* 4.9* 4.9* 4.9*	2.5 2.8 3.7 4.1*	3.7 4.1*			2.0 2.0* 2.0* 2.0* 2.0* 2.0*	7.0
1.5	Stabilizers raised Stabilizer blade down Blade + 2 pt. down	6.3 7.2 7.2 7.5*	7.5* 7.5* 7.5* 7.5*	3.5 4.0 6.0* 6.0*	5.5 6.0* 6.0* 6.0*	2.3 2.6 3.6 4.5*	3.6 4.5*			1.8 2.1 2.1 2.2* 2.2* 2.2*	7.1
0	Stabilizers raised Stabilizer blade down Blade + 2 pt. down	6.0 6.9 6.9 7.3*	7.3* 7.3* 7.3* 7.3*	3.3 3.8 6.0 6.6*	5.3 6.6* 6.6* 6.6*	2.3 2.5 3.5 4.8*	3.5 4.8*			1.9 2.1 2.1 2.2* 2.2* 2.7*	6.8
-1.5	Stabilizers raised Stabilizer blade down Blade + 2 pt. down	6.0 6.9 6.9 9.8*	9.8* 9.8* 9.8* 9.8*	3.3 3.7 5.9 6.5*	5.3 6.5* 6.5* 6.5*	2.2 2.5 3.5 4.6*	3.5 4.6*			2.1 2.4 2.4 3.7* 3.7 3.7*	6.2
-3.0	Stabilizers raised Stabilizer blade down Blade + 2 pt. down	6.1 7.0 7.0 8.0*	8.0* 8.0* 8.0* 8.0*	3.3 3.8 5.4* 5.4*	5.3 5.4* 5.4* 5.4*					2.8 3.2 3.2 4.6* 4.6* 4.6*	5.1
-4.5	Stabilizers raised Stabilizer blade down Blade + 2 pt. down										

Stick 2.45 m

m	Undercarriage	3.0 m		4.5 m		6.0 m		7.5 m		m	
7.5	Stabilizers raised Stabilizer blade down Blade + 2 pt. down									2.0* 2.0* 2.0* 2.0* 2.0* 2.0*	4.2
6.0	Stabilizers raised Stabilizer blade down Blade + 2 pt. down					3.2* 3.2* 3.2* 3.2*				1.8* 1.8* 1.8* 1.8* 1.8* 1.8*	5.8
4.5	Stabilizers raised Stabilizer blade down Blade + 2 pt. down					3.7* 3.7* 3.7* 3.7*	2.6 3.2* 2.9 3.2*			1.7* 1.7* 1.7* 1.7* 1.7* 1.7*	6.7
3.0	Stabilizers raised Stabilizer blade down Blade + 2 pt. down	6.7* 6.7* 6.7* 6.7*	6.7* 6.7* 6.7* 6.7*	3.8 4.3 4.3 4.7*	4.7* 4.7* 4.7* 4.7*	2.5 2.8 3.7 3.9*	3.7 3.9*			1.8* 1.8* 1.8* 1.8* 1.8* 1.8*	7.2
1.5	Stabilizers raised Stabilizer blade down Blade + 2 pt. down	6.3 7.2 7.2 8.6*	8.6* 8.6* 8.6* 8.6*	3.5 4.0 5.8* 5.8*	5.5 6.0* 6.0* 6.0*	2.3 2.6 4.0 4.4*	3.6 4.4*			1.8 2.0* 2.0 2.0* 2.0* 2.0*	7.3
0	Stabilizers raised Stabilizer blade down Blade + 2 pt. down	6.0 6.9 6.9 7.3*	7.3* 7.3* 7.3* 7.3*	3.3 3.8 6.0 6.5*	5.3 6.5* 6.5* 6.5*	2.2 2.5 3.9 4.7*	3.5 4.7*			1.8 2.0 2.0 2.4* 2.4* 2.4*	7.0
-1.5	Stabilizers raised Stabilizer blade down Blade + 2 pt. down	5.9 6.8 6.8 9.5*	9.5* 9.5* 9.5* 9.5*	3.2 3.6 5.9 6.5*	5.2 6.5* 6.5* 6.5*	2.2 2.5 3.8 4.6*	3.4 4.6*			2.0 2.2 2.2 3.2* 3.2* 3.2*	6.5
-3.0	Stabilizers raised Stabilizer blade down Blade + 2 pt. down	6.0 7.0 7.0 8.3*	8.3* 8.3* 8.3* 8.3*	3.3 3.7 5.6* 5.6*	5.3 5.6* 5.6* 5.6*					2.6 2.9 2.9 4.5* 4.5* 4.5*	5.4
-4.5	Stabilizers raised Stabilizer blade down Blade + 2 pt. down										

Stick 2.65 m

m	Undercarriage	3.0 m		4.5 m		6.0 m		7.5 m		m	
7.5	Stabilizers raised Stabilizer blade down Blade + 2 pt. down			1.9* 1.9* 1.9* 1.9*						1.8* 1.8* 1.8* 1.8* 1.8* 1.8*	4.5
6.0	Stabilizers raised Stabilizer blade down Blade + 2 pt. down			3.0* 3.0* 3.0* 3.0*	1.7* 1.7* 1.7* 1.7*					1.6* 1.6* 1.6* 1.6* 1.6* 1.6*	6.1
4.5	Stabilizers raised Stabilizer blade down Blade + 2 pt. down			3.5* 3.5* 3.5* 3.5*	2.6 3.1* 2.9 3.1*					1.6* 1.6* 1.6* 1.6* 1.6* 1.6*	6.9
3.0	Stabilizers raised Stabilizer blade down Blade + 2 pt. down	6.2* 6.2* 6.2* 6.2*	6.2* 6.2* 6.2* 6.2*	3.8 4.5* 4.5* 4.5*	2.5 2.8 3.8* 3.8*	3.7 3.8*				1.6* 1.6* 1.6* 1.6* 1.6* 1.6*	7.4
1.5	Stabilizers raised Stabilizer blade down Blade + 2 pt. down	6.4 7.3 7.3 9.4*	9.4* 9.4* 9.4* 9.4*	3.5 4.0 5.7* 5.7*	5.6 5.7* 6.4* 6.4*	2.3 2.6 4.0 4.3*	3.6 4.3*			1.7 1.8* 1.8* 1.8* 1.8* 1.8*	7.5
0	Stabilizers raised Stabilizer blade down Blade + 2 pt. down	6.0 6.9 6.9 7.4*	7.4* 7.4* 7.4* 7.4*	3.3 3.7 5.9 6.4*	5.3 6.4* 6.4* 6.4*	2.2 2.5 3.9 4.7*	3.5 4.7*			1.7 1.9 1.9 2.1* 2.1* 2.1*	7.2
-1.5	Stabilizers raised Stabilizer blade down Blade + 2 pt. down	5.9 6.8 6.8 9.2*	9.2* 9.2* 9.2* 9.2*	3.2 3.6 5.8 6.5*	5.2 6.5* 6.5* 6.5*	2.2 2.4 3.4 4.7*	3.4 4.7*			1.9 2.1 2.1 2.8* 2.8* 2.8*	6.7
-3.0	Stabilizers raised Stabilizer blade down Blade + 2 pt. down	6.0 6.9 6.9 8.6*	8.6* 8.6* 8.6* 8.6*	3.2 3.7 5.8* 5.8*	5.2 5.8* 5.8* 5.8*					2.4 2.7 2.7 4.3* 4.2 4.3*	5.6
-4.5	Stabilizers raised Stabilizer blade down Blade + 2 pt. down	5.5* 5.5* 5.5* 5.5*	5.5* 5.5* 5.5* 5.5*							4.4* 4.4* 4.4* 4.4* 4.4* 4.4*	3.7

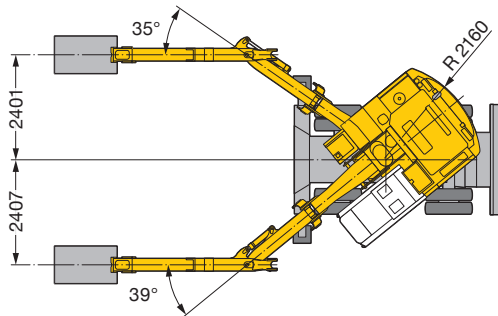
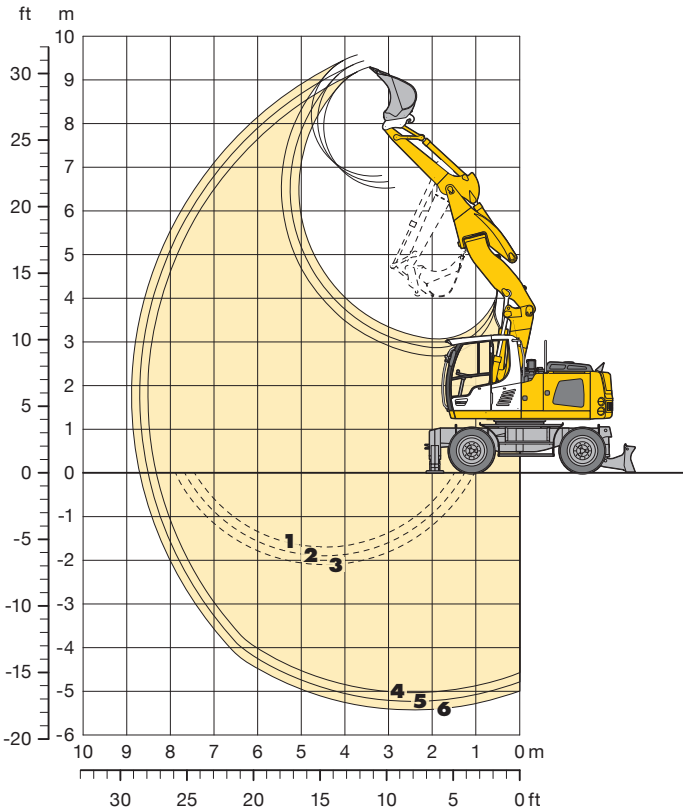
Height Can be slewed through 360° In longitudinal position of undercarriage Max. reach * Limited by hydr. capacity

The lift capacities on the load hook of the Liebherr quick coupler 33 without working tool are stated in metric tons (t) and are valid on a firm, level supporting surface with blocked oscillating axle. These capacities can be slewed through 360° with the undercarriage in the transverse position. Capacities in the longitudinal position of the undercarriage (+/- 15°) are specified over the steering axle with the stabilizers raised and over the rigid axle with the stabilizers down. Indicated loads comply with the ISO 10567 standard and do not exceed 75 % of tipping or 87 % of hydraulic capacity, or are limited by the permissible load of the load hook on the quick coupler (max. 5 t). Without the quick coupler, lift capacities will increase by up to 110 kg.

In accordance with the harmonised EU Standard EN 474-5, hydraulic excavators used for lifting operations must be equipped with pipe rupture protection devices on the hoist cylinders and an overload warning device.

Backhoe Bucket

with Offset Two-piece Boom 3.30 m



Digging Envelope with Quick Coupler

		4	5	6
Stick length	m	2.05	2.25	2.45
Max. digging depth	m	5.05	5.25	5.40
Max. reach at ground level	m	8.30	8.50	8.70
Max. dumping height	m	6.55	6.65	6.80
Max. teeth height	m	9.30	9.45	9.55
Min. attachment radius	m	3.00	2.90	2.75

- 1 stick 2.05 m
 - 2 stick 2.25 m
 - 3 stick 2.45 m
 - 4 stick 2.05 m
 - 5 stick 2.25 m
 - 6 stick 2.45 m
- at max. attachment offset with vertical ditch walls

Digging Forces without Quick Coupler

		4	5	6
Max. digging force (ISO 6015)	kN	72.7	67.9	63.8
	t	7.4	6.9	6.5
Max. breakout force (ISO 6015)	kN	88.2	88.2	88.2
	t	9.0	9.0	9.0

Max. breakout force with ripper bucket 124.1 kN (12.6 t)
 Max. possible digging force (stick 1.70 m) 82.9 kN (8.5 t)

Operating Weight

The operating weight includes the basic machine with 8 tires plus intermediate rings, offset two-piece boom 3.30 m, stick 2.25 m, quick coupler 33 and bucket 850 mm/0.50 m³.

Undercarriage versions	Weight
A 914 Litronic with stabilizer blade	16,100 kg
A 914 Litronic with 2 pt. outriggers	16,400 kg
A 914 Litronic with stabilizer blade + 2 pt. outriggers	17,300 kg
A 914 EW Litronic with stabilizer blade	16,300 kg
A 914 EW Litronic with stabilizer blade + 2 pt. outriggers	17,500 kg

Buckets Machine stability per ISO 10567* (75% of tipping capacity)

Cutting width mm	Capacity ISO 7451 ¹⁾ m ³	Weight kg	Stabilizers raised			Stabilizer blade down			2 point outriggers down			Stabilizer blade + 2 pt. outr. down			EW Stabilizers raised			EW Stabilizer blade down			EW Stabilizer blade + 2 pt. outr. down		
			Stick length (m)			Stick length (m)			Stick length (m)			Stick length (m)			Stick length (m)			Stick length (m)			Stick length (m)		
			2.05	2.25	2.45	2.05	2.25	2.45	2.05	2.25	2.45	2.05	2.25	2.45	2.05	2.25	2.45	2.05	2.25	2.45	2.05	2.25	2.45
550 ²⁾	0.29	260	□	□	□	□	□	□	□	□	□	□	□	□	□	□	□	□	□	□	□	□	□
650 ²⁾	0.36	290	□	□	□	□	□	□	□	□	□	□	□	□	□	□	□	□	□	□	□	□	□
850 ²⁾	0.50	340	□	□	□	□	□	□	□	□	□	□	□	□	□	□	□	□	□	□	□	□	□
1,050 ²⁾	0.65	380	□	△	△	□	□	□	□	□	□	□	□	□	□	□	□	□	□	□	□	□	□
1,250 ²⁾	0.80	430	■	■	■	△	△	△	□	□	□	□	□	□	□	△	△	△	□	□	□	□	□
550 ³⁾	0.31	250	□	□	□	□	□	□	□	□	□	□	□	□	□	□	□	□	□	□	□	□	□
650 ³⁾	0.39	270	□	□	□	□	□	□	□	□	□	□	□	□	□	□	□	□	□	□	□	□	□
850 ³⁾	0.53	320	□	□	□	□	□	□	□	□	□	□	□	□	□	□	□	□	□	□	□	□	□
1,050 ³⁾	0.71	370	△	△	△	□	□	□	□	□	□	□	□	□	□	△	△	△	□	□	□	□	□
1,250 ³⁾	0.87	420	■	■	▲	△	■	■	□	□	□	□	□	□	□	△	△	■	□	△	△	□	□

* Indicated loads are based on ISO 10567 and do not exceed 75% of tipping or 87% of hydraulic capacity, max. stick length without quick coupler, lifted 360° on firm with blocked oscillating axle

¹⁾ comparable with SAE (heaped)

²⁾ Bucket with teeth (also available in HD version) ³⁾ Bucket with cutting edge (also available in HD version)

Max. material weight □ = ≤ 1.8 t/m³, △ = ≤ 1.5 t/m³, ■ = ≤ 1.2 t/m³, ▲ = not authorized

Lift Capacities

with Offset Two-piece Boom 3.30 m

Stick 2.05 m

m	Undercarriage	3.0 m		4.5 m		6.0 m		7.5 m		m		
7.5	Stabilizers raised									2.4*	2.4*	4.2
	Stabilizer blade down									2.4*	2.4*	
	2 pt. outriggers down Blade + 2 pt. down									2.4*	2.4*	
6.0	Stabilizers raised			3.8	4.1*					2.1*	2.1*	5.8
	Stabilizer blade down			4.1*	4.1*					2.1*	2.1*	
	2 pt. outriggers down Blade + 2 pt. down			4.1*	4.1*					2.1*	2.1*	
4.5	Stabilizers raised	6.3*	6.3*	3.7	4.7*	2.2	3.7			1.8	2.0*	6.7
	Stabilizer blade down	6.3*	6.3*	4.1*	4.7*	2.5	3.9*			2.0	2.0*	
	2 pt. outriggers down Blade + 2 pt. down	6.3*	6.3*	4.7*	4.7*	3.1	3.9*			2.0*	2.0*	
3.0	Stabilizers raised	6.4*	8.8*	3.6	5.5*	2.2	3.7			1.5	2.1*	7.1
	Stabilizer blade down	7.0	8.8*	3.9	5.5*	2.5	4.2*			1.7	2.1*	
	2 pt. outriggers down Blade + 2 pt. down	8.7	8.8*	4.8	5.5*	3.1	4.2*			2.1*	2.1*	
1.5	Stabilizers raised	6.2	9.4*	3.6	5.5	2.1	3.6			1.4	2.4*	7.2
	Stabilizer blade down	6.9	9.4*	3.9	6.1*	2.4	4.5*			1.6	2.4*	
	2 pt. outriggers down Blade + 2 pt. down	8.5*	9.4*	4.7*	6.1*	3.0	4.5*			2.1	2.4*	
0	Stabilizers raised	6.1	10.1*	3.3	5.6	1.9	3.4			1.4	2.6	7.0
	Stabilizer blade down	6.9	10.1*	3.7	6.3*	2.2	4.5*			1.6	2.8*	
	2 pt. outriggers down Blade + 2 pt. down	8.7	10.1*	4.8	6.3*	2.8	4.5*			2.1	2.8*	
-1.5	Stabilizers raised	5.7	10.4*	2.9	5.3	1.8	3.2			1.5	2.9	6.4
	Stabilizer blade down	6.5	10.4*	3.3	6.5*	2.0	4.2*			1.8	3.5*	
	2 pt. outriggers down Blade + 2 pt. down	8.6	10.4*	4.3	6.5*	2.6	4.2*			2.4	3.5*	
-3.0	Stabilizers raised	5.2	9.6*	2.7	5.1					2.1	3.1*	5.3
	Stabilizer blade down	6.0	9.6*	3.1	5.1*					2.4	3.1*	
	2 pt. outriggers down Blade + 2 pt. down	8.1	9.6*	4.1	5.1*					3.1*	3.1*	

Stick 2.25 m

m	Undercarriage	3.0 m		4.5 m		6.0 m		7.5 m		m		
7.5	Stabilizers raised									2.1*	2.1*	4.5
	Stabilizer blade down									2.1*	2.1*	
	2 pt. outriggers down Blade + 2 pt. down									2.1*	2.1*	
6.0	Stabilizers raised			3.8	3.9*	2.0*	2.0*			1.9*	1.9*	6.0
	Stabilizer blade down			3.9*	3.9*	2.0*	2.0*			1.9*	1.9*	
	2 pt. outriggers down Blade + 2 pt. down			3.9*	3.9*	2.0*	2.0*			1.9*	1.9*	
4.5	Stabilizers raised			3.7	4.6*	2.3	3.7			1.7	1.8*	6.9
	Stabilizer blade down			4.1	4.6*	2.5	3.8*			1.8*	1.8*	
	2 pt. outriggers down Blade + 2 pt. down			4.6*	4.6*	3.2*	3.8*			1.8*	1.8*	
3.0	Stabilizers raised	6.4	8.4*	3.6	5.4*	2.3	3.7			1.4	1.9*	7.3
	Stabilizer blade down	7.0	8.4*	3.9	5.4*	2.5	4.2*			1.6	1.9*	
	2 pt. outriggers down Blade + 2 pt. down	8.4*	8.4*	4.8	5.4*	3.1	4.2*			1.9*	1.9*	
1.5	Stabilizers raised	6.2	9.3*	3.5	5.4	2.1	3.6			1.3	2.1*	7.4
	Stabilizer blade down	6.8	9.3*	3.9	6.1*	2.4	4.4*			1.5	2.1*	
	2 pt. outriggers down Blade + 2 pt. down	8.5	9.3*	4.7	6.1*	3.0	4.4*			2.0	2.1*	
0	Stabilizers raised	6.1	10.0*	3.4	5.5*	1.9	3.4			1.3	2.4*	7.2
	Stabilizer blade down	6.9	10.0*	3.8	6.2*	2.2	4.5*			1.5	2.5*	
	2 pt. outriggers down Blade + 2 pt. down	8.6	10.0*	4.8	6.2*	2.9	4.5*			2.0	2.5*	
-1.5	Stabilizers raised	5.7	10.3*	3.0	5.4	1.8	3.2			1.5	2.7	6.6
	Stabilizer blade down	6.5	10.3*	3.4	6.4*	2.0	4.4*			1.7	3.3*	
	2 pt. outriggers down Blade + 2 pt. down	8.7	10.3*	4.4	6.4*	2.7	4.4*			2.2	3.3*	
-3.0	Stabilizers raised	5.2	10.1*	2.7	5.1					1.9	3.1*	5.6
	Stabilizer blade down	6.0	10.1*	3.1	5.5*					2.2	3.1*	
	2 pt. outriggers down Blade + 2 pt. down	8.2	10.1*	4.1	5.5*					2.9	3.1*	

Stick 2.45 m

m	Undercarriage	3.0 m		4.5 m		6.0 m		7.5 m		m		
7.5	Stabilizers raised			2.5*	2.5*					1.9*	1.9*	4.8
	Stabilizer blade down			2.5*	2.5*					1.9*	1.9*	
	2 pt. outriggers down Blade + 2 pt. down			2.5*	2.5*					1.9*	1.9*	
6.0	Stabilizers raised			3.6*	3.6*	2.3	2.3*			1.7*	1.7*	6.3
	Stabilizer blade down			3.6*	3.6*	2.3*	2.3*			1.7*	1.7*	
	2 pt. outriggers down Blade + 2 pt. down			3.6*	3.6*	2.3*	2.3*			1.7*	1.7*	
4.5	Stabilizers raised			3.7	4.4*	2.3	3.7*			1.6	1.7*	7.1
	Stabilizer blade down			4.1*	4.4*	2.6	3.7*			1.7*	1.7*	
	2 pt. outriggers down Blade + 2 pt. down			4.4*	4.4*	3.2	3.7*			1.7*	1.7*	
3.0	Stabilizers raised	6.4	8.0*	3.6	5.2*	2.3	3.7	1.4	1.8*	1.3	1.7*	7.5
	Stabilizer blade down	7.1*	8.0*	3.9*	5.2*	2.5	4.1*	1.6	1.8*	1.5	1.7*	
	2 pt. outriggers down Blade + 2 pt. down	8.0*	8.0*	4.8	5.2*	3.2	4.1*	1.8*	1.8*	1.7*	1.7*	
1.5	Stabilizers raised	6.2	9.2*	3.5	5.4	2.2	3.6	1.3	2.4	1.2	1.9*	7.6
	Stabilizer blade down	6.8	9.2*	3.8	6.0*	2.4	4.4*	1.5	2.5*	1.4	1.9*	
	2 pt. outriggers down Blade + 2 pt. down	8.4	9.2*	4.7*	6.0*	3.1	4.4*	2.0	2.5*	1.9	1.9*	
0	Stabilizers raised	6.2	9.9*	3.4	5.5	2.0	3.5			1.2	2.2*	7.4
	Stabilizer blade down	6.9	9.9*	3.8	6.2*	2.2	4.5*			1.4	2.2*	
	2 pt. outriggers down Blade + 2 pt. down	8.5	9.9*	4.7*	6.2*	2.9	4.5*			1.9	2.2*	
-1.5	Stabilizers raised	5.7	10.2*	3.0	5.4	1.8	3.3			1.4	2.6	6.9
	Stabilizer blade down	6.5	10.2*	3.4	6.3*	2.0	4.5*			1.6	2.9*	
	2 pt. outriggers down Blade + 2 pt. down	8.7	10.2*	4.4	6.3*	2.7	4.5*			2.1	2.9*	
-3.0	Stabilizers raised	5.3	10.4*	2.7	5.1					1.7	3.0*	5.9
	Stabilizer blade down	6.1	10.4*	3.1	5.9*					2.0	3.0*	
	2 pt. outriggers down Blade + 2 pt. down	8.2	10.4*	4.1	5.9*					2.7	3.0*	

Height Can be slewed through 360° In longitudinal position of undercarriage Max. reach * Limited by hydr. capacity

The lift capacities on the load hook of the Liebherr quick coupler 33 without working tool are stated in metric tons (t) and are valid on a firm, level supporting surface with blocked oscillating axle. These capacities can be slewed through 360° with the undercarriage in the transverse position. Capacities in the longitudinal position of the undercarriage (+/- 15°) are specified over the steering axle with the stabilizers raised and over the rigid axle with the stabilizers down. The values apply when the adjusting cylinder is in the optimal position. Indicated loads comply with the ISO 10567 standard and do not exceed 75 % of tipping or 87 % of hydraulic capacity, or are limited by the permissible load of the load hook on the quick coupler (max. 5 t). Without the quick coupler, lift capacities will increase by up to 110 kg.

In accordance with the harmonised EU Standard EN 474-5, hydraulic excavators used for lifting operations must be equipped with pipe rupture protection devices on the hoist cylinders and an overload warning device.

Lift Capacities

with Offset Two-piece Boom 3.30 m EW-Undercarriage

Stick 2.05 m

m	Undercarriage	3.0 m		4.5 m		6.0 m		7.5 m		m		
		Stabilizers raised	Stabilizer blade down	Stabilizers raised	Stabilizer blade down	Stabilizers raised	Stabilizer blade down	Stabilizers raised	Stabilizer blade down			
7.5	Stabilizers raised Stabilizer blade down Blade + 2 pt. down									2.4* 2.4* 2.4*	2.4* 2.4* 2.4*	4.2
6.0	Stabilizers raised Stabilizer blade down Blade + 2 pt. down			4.1* 4.1* 4.1*	4.1* 4.1* 4.1*					2.1* 2.1* 2.1*	2.1* 2.1* 2.1*	5.8
4.5	Stabilizers raised Stabilizer blade down Blade + 2 pt. down	6.3* 6.3* 6.3*	6.3* 6.3* 6.3*	4.1 4.5 4.7*	4.7* 4.7* 4.7*	2.5 2.8 3.9*	3.8 3.9* 3.9*			2.0 2.0* 2.0*	2.0* 2.0* 2.0*	6.7
3.0	Stabilizers raised Stabilizer blade down Blade + 2 pt. down	7.1 7.8 8.8*	8.8* 8.8* 8.8*	4.0 4.3 5.5*	5.5* 5.5* 5.5*	2.5 2.8 4.1	3.8 4.2* 4.2*			1.7 1.9 2.1*	2.1* 2.1* 2.1*	7.1
1.5	Stabilizers raised Stabilizer blade down Blade + 2 pt. down	6.9 7.7 9.4*	9.4* 9.4* 9.4*	3.9 4.3 6.0*	5.5* 6.1* 6.1*	2.4 2.7 4.0	3.6 4.5* 4.5*			1.6 1.8 2.4*	2.4* 2.4* 2.4*	7.2
0	Stabilizers raised Stabilizer blade down Blade + 2 pt. down	7.0 7.8 10.1*	10.1* 10.1* 10.1*	3.8 4.2 6.0	5.6 6.3* 6.2*	2.2 2.5 4.0	3.5 4.5* 4.5*			1.6 1.8 2.8*	2.6 2.8* 2.8*	7.0
-1.5	Stabilizers raised Stabilizer blade down Blade + 2 pt. down	6.5 7.5 10.4*	10.4* 10.4* 10.4*	3.3 3.8 6.1	5.4 6.5* 6.5*	2.0 2.3 3.7	3.3 4.2* 4.2*			1.8 2.1 3.3	2.9 3.5* 3.5*	6.4
-3.0	Stabilizers raised Stabilizer blade down Blade + 2 pt. down	6.1 7.0 9.6*	9.6* 9.6* 9.6*	3.1 3.6 5.1*	5.1* 5.1* 5.1*					2.4 2.7 3.1*	3.1* 3.1* 3.1*	5.3

Stick 2.25 m

m	Undercarriage	3.0 m		4.5 m		6.0 m		7.5 m		m		
		Stabilizers raised	Stabilizer blade down	Stabilizers raised	Stabilizer blade down	Stabilizers raised	Stabilizer blade down	Stabilizers raised	Stabilizer blade down			
7.5	Stabilizers raised Stabilizer blade down Blade + 2 pt. down									2.1* 2.1* 2.1*	2.1* 2.1* 2.1*	4.5
6.0	Stabilizers raised Stabilizer blade down Blade + 2 pt. down			3.9* 3.9* 3.9*	3.9* 3.9* 3.9*	2.0* 2.0* 2.0*	2.0* 2.0* 2.0*			1.9* 1.9* 1.9*	1.9* 1.9* 1.9*	6.0
4.5	Stabilizers raised Stabilizer blade down Blade + 2 pt. down			4.1* 4.5* 4.6*	4.6* 4.6* 4.6*	2.6 2.8 3.8*	3.8 3.8* 3.8*			1.8* 1.8* 1.8*	1.8* 1.8* 1.8*	6.9
3.0	Stabilizers raised Stabilizer blade down Blade + 2 pt. down	7.1 7.8 8.4*	8.4* 8.4* 8.4*	4.0 4.3 5.4*	5.4* 5.4* 5.4*	2.5 2.8 4.1	3.7 4.2* 4.2*			1.6 1.9 1.9*	1.9* 1.9* 1.9*	7.3
1.5	Stabilizers raised Stabilizer blade down Blade + 2 pt. down	6.9 7.6 9.3*	9.3* 9.3* 9.3*	3.9 4.3 6.0	5.5 6.1* 6.1*	2.4 2.7 4.0	3.7 4.4* 4.4*			1.5 1.7 2.1*	2.1* 2.1* 2.1*	7.4
0	Stabilizers raised Stabilizer blade down Blade + 2 pt. down	7.0 7.7 10.0*	10.0* 10.0* 10.0*	3.8 4.3 6.0	5.6* 6.2* 6.2*	2.2 2.5 4.0	3.5 4.5* 4.5*			1.5 1.7 2.5*	2.5* 2.5* 2.5*	7.2
-1.5	Stabilizers raised Stabilizer blade down Blade + 2 pt. down	6.5 7.5 10.3*	10.3* 10.3* 10.3*	3.4 3.8 6.1	5.5 6.4* 6.4*	2.0 2.3 3.7	3.3 4.4* 4.4*			1.7 1.9 3.1	2.8 3.3* 3.3*	6.6
-3.0	Stabilizers raised Stabilizer blade down Blade + 2 pt. down	6.1 7.0 10.1*	10.1* 10.1* 10.1*	3.1 3.6 5.5*	5.5* 5.5* 5.5*					2.2 2.3 3.0*	3.1* 3.1* 3.1*	5.6

Stick 2.45 m

m	Undercarriage	3.0 m		4.5 m		6.0 m		7.5 m		m		
		Stabilizers raised	Stabilizer blade down	Stabilizers raised	Stabilizer blade down	Stabilizers raised	Stabilizer blade down	Stabilizers raised	Stabilizer blade down			
7.5	Stabilizers raised Stabilizer blade down Blade + 2 pt. down			2.5* 2.5* 2.5*	2.5* 2.5* 2.5*					1.9* 1.9* 1.9*	1.9* 1.9* 1.9*	4.8
6.0	Stabilizers raised Stabilizer blade down Blade + 2 pt. down			3.6* 3.6* 3.6*	3.6* 3.6* 3.6*	2.3* 2.3* 2.3*	2.3* 2.3* 2.3*			1.7* 1.7* 1.7*	1.7* 1.7* 1.7*	6.3
4.5	Stabilizers raised Stabilizer blade down Blade + 2 pt. down			4.1 4.4* 4.4*	4.4* 4.4* 4.4*	2.6 2.9 3.7*	3.7* 3.7* 3.7*			1.7* 1.7* 1.7*	1.7* 1.7* 1.7*	7.1
3.0	Stabilizers raised Stabilizer blade down Blade + 2 pt. down	7.1* 7.8 8.0*	8.0* 8.0* 8.0*	3.9 4.3 5.2*	5.2* 5.2* 5.2*	2.6 2.8 4.0	3.7 4.1* 4.1*	1.6 1.8* 1.8*	1.8* 1.7* 1.7*	1.6 1.7* 1.7*	1.7* 1.7* 1.7*	7.5
1.5	Stabilizers raised Stabilizer blade down Blade + 2 pt. down	6.9* 7.6 9.2*	9.2* 9.2* 9.2*	3.9 4.2 5.9	5.5 6.0* 6.0*	2.4 2.7* 4.0	3.7 4.4* 4.4*	1.5 1.7 2.5*	2.4 2.5* 2.5*	1.4 1.7 1.9*	1.9* 1.9* 1.9*	7.6
0	Stabilizers raised Stabilizer blade down Blade + 2 pt. down	6.9 7.7* 9.9*	9.9* 9.9* 9.9*	3.8 4.3 5.9	5.5 6.2* 6.2*	2.3 2.5 3.9	3.5 4.5* 4.5*			1.4 1.7 2.2*	2.2* 2.2* 2.2*	7.4
-1.5	Stabilizers raised Stabilizer blade down Blade + 2 pt. down	6.5 7.5 10.2*	10.2* 10.2* 10.2*	3.4 3.9 6.2	5.5 6.3* 6.3*	2.0 2.3 3.7	3.3 4.5* 4.5*			1.6 1.8 2.9*	2.6 2.9* 2.9*	6.9
-3.0	Stabilizers raised Stabilizer blade down Blade + 2 pt. down	6.1 7.1 10.4*	10.4* 10.4* 10.4*	3.1 3.6 5.8	5.2 5.9* 5.9*					2.0 2.3 3.0*	3.0* 3.0* 3.0*	5.9

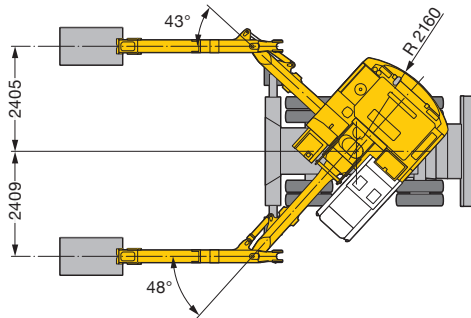
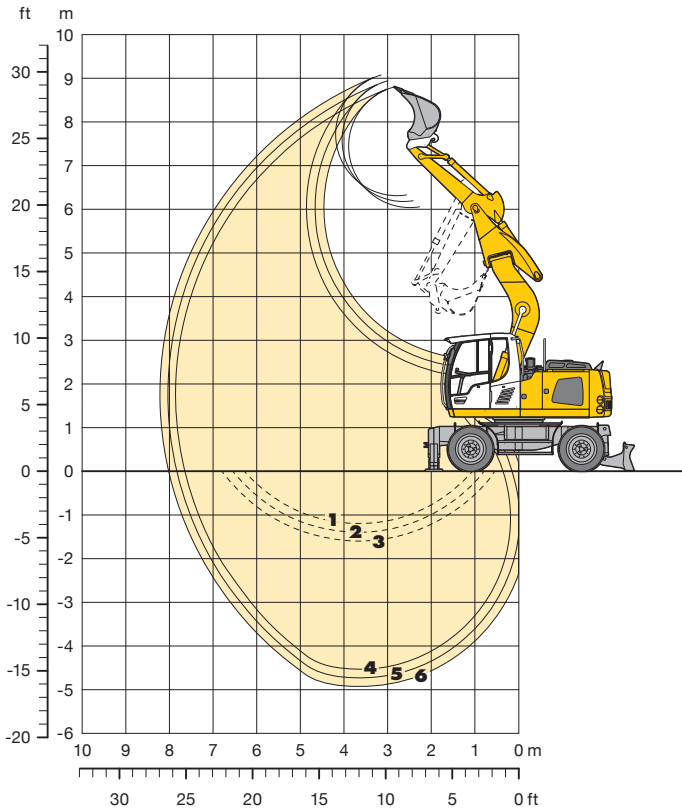
Height Can be slewed through 360° In longitudinal position of undercarriage Max. reach * Limited by hydr. capacity

The lift capacities on the load hook of the Liebherr quick coupler 33 without working tool are stated in metric tons (t) and are valid on a firm, level supporting surface with blocked oscillating axle. These capacities can be slewed through 360° with the undercarriage in the transverse position. Capacities in the longitudinal position of the undercarriage (+/- 15°) are specified over the steering axle with the stabilizers raised and over the rigid axle with the stabilizers down. The values apply when the adjusting cylinder is in the optimal position. Indicated loads comply with the ISO 10567 standard and do not exceed 75 % of tipping or 87 % of hydraulic capacity, or are limited by the permissible load of the load hook on the quick coupler (max. 5 t). Without the quick coupler, lift capacities will increase by up to 110 kg.

In accordance with the harmonised EU Standard EN 474-5, hydraulic excavators used for lifting operations must be equipped with pipe rupture protection devices on the hoist cylinders and an overload warning device.

Backhoe Bucket

with Offset Mono Boom 4.30 m



Digging Envelope with Quick Coupler

		4	5	6
Stick length	m	2.05	2.25	2.45
Max. digging depth	m	4.55	4.75	4.95
Max. reach at ground level	m	7.65	7.85	8.00
Max. dumping height	m	6.05	6.20	6.35
Max. teeth height	m	8.80	8.95	9.10
Min. attachment radius	m	2.45	2.35	2.15

- 1 stick 2.05 m
 - 2 stick 2.25 m
 - 3 stick 2.45 m
 - 4 stick 2.05 m
 - 5 stick 2.25 m
 - 6 stick 2.45 m
- at max. attachment offset with vertical ditch walls with set straight boom

Digging Forces without Quick Coupler

		4	5	6
Max. digging force (ISO 6015)	kN	72.7	67.9	63.8
	t	7.4	6.9	6.5
Max. breakout force (ISO 6015)	kN	88.2	88.2	88.2
	t	9.0	9.0	9.0

Max. breakout force with ripper bucket 124.1 kN (12.6 t)
 Max. possible digging force (stick 1.70 m) 82.9 kN (8.5 t)

Operating Weight

The operating weight includes the basic machine with 8 tires plus intermediate rings, offset mono boom 4.30 m, stick 2.25 m, quick coupler 33 and bucket 850 mm/0.50 m³.

Undercarriage versions	Weight
A 914 Litronic with stabilizer blade	15,500 kg
A 914 Litronic with 2 pt. outriggers	15,800 kg
A 914 Litronic with stabilizer blade + 2 pt. outriggers	16,700 kg
A 914 EW Litronic with stabilizer blade	15,700 kg
A 914 EW Litronic with stabilizer blade + 2 pt. outriggers	16,900 kg

Buckets Machine stability per ISO 10567* (75% of tipping capacity)

Cutting width mm	Capacity m ³ ISO 7451 ¹⁾	Weight kg	Stabilizers raised			Stabilizer blade down			2 point outriggers down			Stabilizer blade + 2 pt. outr. down			EW Stabilizers raised			EW Stabilizer blade down			EW Stabilizer blade + 2 pt. outr. down		
			Stick length (m)			Stick length (m)			Stick length (m)			Stick length (m)			Stick length (m)			Stick length (m)			Stick length (m)		
			2.05	2.25	2.45	2.05	2.25	2.45	2.05	2.25	2.45	2.05	2.25	2.45	2.05	2.25	2.45	2.05	2.25	2.45	2.05	2.25	2.45
550 ²⁾	0.29	260	□	□	□	□	□	□	□	□	□	□	□	□	□	□	□	□	□	□	□	□	□
650 ²⁾	0.36	290	□	□	□	□	□	□	□	□	□	□	□	□	□	□	□	□	□	□	□	□	□
850 ²⁾	0.50	340	□	□	□	□	□	□	□	□	□	□	□	□	□	□	□	□	□	□	□	□	□
1,050 ²⁾	0.65	380	□	□	□	□	□	□	□	□	□	□	□	□	□	□	□	□	□	□	□	□	□
1,250 ²⁾	0.80	430	□	□	△	□	□	□	□	□	□	□	□	□	□	□	□	□	□	□	□	□	□
550 ³⁾	0.31	250	□	□	□	□	□	□	□	□	□	□	□	□	□	□	□	□	□	□	□	□	□
650 ³⁾	0.39	270	□	□	□	□	□	□	□	□	□	□	□	□	□	□	□	□	□	□	□	□	□
850 ³⁾	0.53	320	□	□	□	□	□	□	□	□	□	□	□	□	□	□	□	□	□	□	□	□	□
1,050 ³⁾	0.71	370	□	□	□	□	□	□	□	□	□	□	□	□	□	□	□	□	□	□	□	□	□
1,250 ³⁾	0.87	420	△	△	△	□	□	□	□	□	□	□	□	□	□	□	□	□	□	□	□	□	□

* Indicated loads are based on ISO 10567 and do not exceed 75% of tipping or 87% of hydraulic capacity, max. stick length without quick coupler, lifted 360° on firm with blocked oscillating axle

1) comparable with SAE (heaped)

2) Bucket with teeth (also available in HD version) 3) Bucket with cutting edge (also available in HD version)

Max. material weight □ = ≤ 1.8 t/m³, △ = ≤ 1.5 t/m³, ■ = ≤ 1.2 t/m³, ▲ = not authorized

Lift Capacities

with Offset Mono Boom 4.30 m

Stick 2.05 m

m	Undercarriage	3.0 m		4.5 m		6.0 m		7.5 m		m
7.5	Stabilizers raised									
	Stabilizer blade down									
	2 pt. outriggers down Blade + 2 pt. down									
6.0	Stabilizers raised			2.9*	2.9*				2.1*	2.1*
	Stabilizer blade down			2.9*	2.9*				2.1*	2.1*
	2 pt. outriggers down Blade + 2 pt. down			2.9*	2.9*				2.1*	2.1*
4.5	Stabilizers raised	5.2*	5.2*	3.6	4.5*				2.0*	2.0*
	Stabilizer blade down	5.2*	5.2*	4.0	4.5*				2.0*	2.0*
	2 pt. outriggers down Blade + 2 pt. down	5.2*	5.2*	4.5*	4.5*				2.0*	2.0*
3.0	Stabilizers raised	6.2	7.7*	3.3	5.3*	2.1	3.6		1.9	2.1*
	Stabilizer blade down	7.0	7.7*	3.7	5.3*	2.4	3.8*		2.1	2.1*
	2 pt. outriggers down Blade + 2 pt. down	7.7*	7.7*	4.7	5.3*	3.0	3.8*		2.1*	2.1*
1.5	Stabilizers raised	5.3	10.2*	3.0	5.4	2.0	3.5		1.8	2.4*
	Stabilizer blade down	6.1	10.2*	3.4	6.2*	2.3	4.7*		2.0	2.4*
	2 pt. outriggers down Blade + 2 pt. down	8.2	10.2*	4.4	6.2*	2.9	4.7*		2.4*	2.4*
0	Stabilizers raised	5.0	9.4*	2.8	5.1	1.9	3.4		1.8	3.1*
	Stabilizer blade down	5.8	9.4*	3.2	6.6*	2.2	4.7*		2.0	3.1*
	2 pt. outriggers down Blade + 2 pt. down	7.9	9.4*	4.2	6.6*	2.8	4.7*		2.6	3.1*
-1.5	Stabilizers raised	5.0	9.0*	2.8	5.1				2.1	3.7
	Stabilizer blade down	5.8	9.0*	3.2	6.0*				2.3	4.6*
	2 pt. outriggers down Blade + 2 pt. down	7.8	9.0*	4.1	6.0*				3.0	4.6*
-3.0	Stabilizers raised	5.2	6.4*						3.0	4.5*
	Stabilizer blade down	6.0	6.4*						3.4	4.5*
	2 pt. outriggers down Blade + 2 pt. down	6.4*	6.4*						4.5*	4.5*

Stick 2.25 m

m	Undercarriage	3.0 m		4.5 m		6.0 m		7.5 m		m
7.5	Stabilizers raised									
	Stabilizer blade down									
	2 pt. outriggers down Blade + 2 pt. down									
6.0	Stabilizers raised			3.0*	3.0*				1.9*	1.9*
	Stabilizer blade down			3.0*	3.0*				1.9*	1.9*
	2 pt. outriggers down Blade + 2 pt. down			3.0*	3.0*				1.9*	1.9*
4.5	Stabilizers raised			3.6	4.3*	2.2*	2.2*		1.8*	1.8*
	Stabilizer blade down			4.0	4.3*	2.2*	2.2*		1.8*	1.8*
	2 pt. outriggers down Blade + 2 pt. down			4.3*	4.3*	2.2*	2.2*		1.8*	1.8*
3.0	Stabilizers raised	6.3	7.3*	3.4	5.1*	2.1	3.6		1.8	1.9*
	Stabilizer blade down	7.1	7.3*	3.8	5.1*	2.4	3.9*		1.9*	1.9*
	2 pt. outriggers down Blade + 2 pt. down	7.3*	7.3*	4.8	5.1*	3.0	3.9*		1.9*	1.9*
1.5	Stabilizers raised	5.4	9.9*	3.0	5.4	2.0	3.5		1.7	2.2*
	Stabilizer blade down	6.2	9.9*	3.4	6.1*	2.3	4.6*		1.9	2.2*
	2 pt. outriggers down Blade + 2 pt. down	8.3	9.9*	4.4	6.1*	2.9	4.6*		2.2*	2.2*
0	Stabilizers raised	5.0	9.4*	2.8	5.1	1.9	3.4		1.7	2.7*
	Stabilizer blade down	5.8	9.4*	3.2	6.5*	2.2	4.7*		1.9	2.7*
	2 pt. outriggers down Blade + 2 pt. down	7.8	9.4*	4.2	6.5*	2.8	4.7*		2.5	2.7*
-1.5	Stabilizers raised	5.0	9.3*	2.8	5.1				1.9	3.4
	Stabilizer blade down	5.7	9.3*	3.1	6.1*				2.2	4.0*
	2 pt. outriggers down Blade + 2 pt. down	7.8	9.3*	4.1	6.1*				2.8	4.0*
-3.0	Stabilizers raised	5.1	6.9*	2.8	4.6*				2.7	4.4*
	Stabilizer blade down	5.9	6.9*	3.2	4.6*				3.1	4.4*
	2 pt. outriggers down Blade + 2 pt. down	6.9*	6.9*	4.2	4.6*				4.0	4.4*

Stick 2.45 m

m	Undercarriage	3.0 m		4.5 m		6.0 m		7.5 m		m
7.5	Stabilizers raised								2.1*	2.1*
	Stabilizer blade down								2.1*	2.1*
	2 pt. outriggers down Blade + 2 pt. down								2.1*	2.1*
6.0	Stabilizers raised			3.0*	3.0*				1.7*	1.7*
	Stabilizer blade down			3.0*	3.0*				1.7*	1.7*
	2 pt. outriggers down Blade + 2 pt. down			3.0*	3.0*				1.7*	1.7*
4.5	Stabilizers raised			3.7	4.0*	2.3	2.5*		1.7*	1.7*
	Stabilizer blade down			4.0*	4.0*	2.5*	2.5*		1.7*	1.7*
	2 pt. outriggers down Blade + 2 pt. down			4.0*	4.0*	2.5*	2.5*		1.7*	1.7*
3.0	Stabilizers raised	6.4	6.8*	3.4	4.9*	2.1	3.6		1.7	1.7*
	Stabilizer blade down	6.8*	6.8*	3.8	4.9*	2.4	3.9*		1.7*	1.7*
	2 pt. outriggers down Blade + 2 pt. down	6.8*	6.8*	4.8	4.9*	3.0	3.9*		1.7*	1.7*
1.5	Stabilizers raised	5.4	9.6*	3.1	5.4	2.0	3.5		1.6	2.0*
	Stabilizer blade down	6.2	9.6*	3.4	5.9*	2.3	4.5*		1.8	2.0*
	2 pt. outriggers down Blade + 2 pt. down	8.3	9.6*	4.4	5.9*	2.9	4.5*		2.0*	2.0*
0	Stabilizers raised	5.0	9.5*	2.8	5.1	1.9	3.3		1.6	2.4*
	Stabilizer blade down	5.8	9.5*	3.2	6.5*	2.1	4.7*		1.8	2.4*
	2 pt. outriggers down Blade + 2 pt. down	7.8	9.5*	4.2	6.5*	2.8	4.7*		2.4	2.4*
-1.5	Stabilizers raised	4.9	9.5*	2.7	5.0	1.8	3.3		1.8	3.2
	Stabilizer blade down	5.7	9.5*	3.1	6.2*	2.1	4.0*		2.1	3.4*
	2 pt. outriggers down Blade + 2 pt. down	7.7	9.5*	4.1	6.2*	2.7	4.0*		2.7	3.4*
-3.0	Stabilizers raised	5.0	7.3*	2.8	4.8*				2.5	4.3*
	Stabilizer blade down	5.8	7.3*	3.2	4.8*				2.8	4.3*
	2 pt. outriggers down Blade + 2 pt. down	7.3*	7.3*	4.1	4.8*				3.7	4.3*

Height Can be slewed through 360° In longitudinal position of undercarriage Max. reach * Limited by hydr. capacity

The lift capacities on the load hook of the Liebherr quick coupler 33 without working tool are stated in metric tons (t) and are valid on a firm, level supporting surface with blocked oscillating axle. These capacities can be slewed through 360° with the undercarriage in the transverse position. Capacities in the longitudinal position of the undercarriage (+/- 15°) are specified over the steering axle with the stabilizers raised and over the rigid axle with the stabilizers down. Indicated loads comply with the ISO 10567 standard and do not exceed 75 % of tipping or 87 % of hydraulic capacity, or are limited by the permissible load of the load hook on the quick coupler (max. 5 t). Without the quick coupler, lift capacities will increase by up to 110 kg.

In accordance with the harmonised EU Standard EN 474-5, hydraulic excavators used for lifting operations must be equipped with pipe rupture protection devices on the hoist cylinders and an overload warning device.

Lift Capacities

with Offset Mono Boom 4.30 m EW-Undercarriage

Stick 2.05 m

m	Undercarriage	3.0 m		4.5 m		6.0 m		7.5 m		m
		Stabilizers raised	Stabilizer blade down	Stabilizers raised	Stabilizer blade down	Stabilizers raised	Stabilizer blade down	Stabilizers raised	Stabilizer blade down	
7.5	Stabilizers raised Stabilizer blade down Blade + 2 pt. down									
6.0	Stabilizers raised Stabilizer blade down Blade + 2 pt. down			2.9* 2.9*	2.9* 2.9*			2.1* 2.1*	2.1* 2.1*	4.9
4.5	Stabilizers raised Stabilizer blade down Blade + 2 pt. down	5.2* 5.2*	5.2* 5.2*	4.0 4.5	4.5* 4.5*			2.0* 2.0*	2.0* 2.0*	5.9
3.0	Stabilizers raised Stabilizer blade down Blade + 2 pt. down	7.1 7.7*	7.7* 7.7*	3.8 4.2	5.3* 5.3*	2.4 2.7	3.7 3.8*	2.1* 2.1*	2.1* 2.1*	6.4
1.5	Stabilizers raised Stabilizer blade down Blade + 2 pt. down	6.2 7.1	10.2* 10.2*	3.5 3.9	5.5 6.2*	2.3 2.6	3.5 4.7*	2.0 2.2	2.4* 2.4*	6.6
0	Stabilizers raised Stabilizer blade down Blade + 2 pt. down	5.8 6.8	9.4* 9.4*	3.2 3.7	5.2 6.6*	2.2 2.5	3.4 4.7*	2.0 2.3	3.1* 3.1*	6.3
-1.5	Stabilizers raised Stabilizer blade down Blade + 2 pt. down	5.8 6.8	9.0* 9.0*	3.2 3.6	5.2 6.0*			2.4 2.7	3.7 4.6*	5.6
-3.0	Stabilizers raised Stabilizer blade down Blade + 2 pt. down	6.0 6.4*	6.4* 6.4*					3.5 4.5*	4.5* 4.5*	4.3

Stick 2.25 m

m	Undercarriage	3.0 m		4.5 m		6.0 m		7.5 m		m
		Stabilizers raised	Stabilizer blade down	Stabilizers raised	Stabilizer blade down	Stabilizers raised	Stabilizer blade down	Stabilizers raised	Stabilizer blade down	
7.5	Stabilizers raised Stabilizer blade down Blade + 2 pt. down									
6.0	Stabilizers raised Stabilizer blade down Blade + 2 pt. down			3.0* 3.0*	3.0* 3.0*			1.9* 1.9*	1.9* 1.9*	5.1
4.5	Stabilizers raised Stabilizer blade down Blade + 2 pt. down			4.1 4.3*	4.3* 4.3*	2.2* 2.2*	2.2* 2.2*	1.8* 1.8*	1.8* 1.8*	6.1
3.0	Stabilizers raised Stabilizer blade down Blade + 2 pt. down	7.2 7.3*	7.3* 7.3*	3.8 4.2	5.1* 5.1*	2.4 2.7	3.7 3.9*	1.9* 1.9*	1.9* 1.9*	6.6
1.5	Stabilizers raised Stabilizer blade down Blade + 2 pt. down	6.2 7.2	9.9* 9.9*	3.5 3.9	5.5 6.1*	2.3 2.6	3.5 4.6*	1.9 2.1	2.2* 2.2*	6.7
0	Stabilizers raised Stabilizer blade down Blade + 2 pt. down	5.8 6.7	9.4* 9.4*	3.2 3.7	5.2 6.5*	2.2 2.5	3.4 4.7*	1.9 2.2	2.7* 2.7*	6.5
-1.5	Stabilizers raised Stabilizer blade down Blade + 2 pt. down	5.8 6.7	9.3* 9.3*	3.2 3.6	5.2 6.1*			2.2 2.5	3.5 4.0*	5.8
-3.0	Stabilizers raised Stabilizer blade down Blade + 2 pt. down	5.9 6.9	6.9* 6.9*	3.2 3.7	4.6* 4.6*			3.1 3.6	4.4* 4.4*	4.6

Stick 2.45 m

m	Undercarriage	3.0 m		4.5 m		6.0 m		7.5 m		m
		Stabilizers raised	Stabilizer blade down	Stabilizers raised	Stabilizer blade down	Stabilizers raised	Stabilizer blade down	Stabilizers raised	Stabilizer blade down	
7.5	Stabilizers raised Stabilizer blade down Blade + 2 pt. down							2.1* 2.1*	2.1* 2.1*	3.5
6.0	Stabilizers raised Stabilizer blade down Blade + 2 pt. down			3.0* 3.0*	3.0* 3.0*			1.7* 1.7*	1.7* 1.7*	5.4
4.5	Stabilizers raised Stabilizer blade down Blade + 2 pt. down			4.0* 4.0*	4.0* 4.0*	2.5* 2.5*	2.5* 2.5*	1.7* 1.7*	1.7* 1.7*	6.3
3.0	Stabilizers raised Stabilizer blade down Blade + 2 pt. down	6.8* 6.8*	6.8* 6.8*	3.8 4.3	4.9* 4.9*	2.4 2.7	3.7 3.9*	1.7* 1.7*	1.7* 1.7*	6.8
1.5	Stabilizers raised Stabilizer blade down Blade + 2 pt. down	6.3 7.2	9.6* 9.6*	3.5 3.9	5.5 5.9*	2.3 2.6	3.5 4.5*	1.8 2.0*	2.0* 2.0*	6.9
0	Stabilizers raised Stabilizer blade down Blade + 2 pt. down	5.8 6.7	9.5* 9.5*	3.2 3.7	5.2 6.5*	2.2 2.4	3.4 4.7*	1.8 2.1	2.4* 2.4*	6.7
-1.5	Stabilizers raised Stabilizer blade down Blade + 2 pt. down	5.7 6.6	9.5* 9.5*	3.1 3.6	5.1 6.2*	2.1 2.4	3.4 4.0*	2.1 2.4	3.3* 3.4*	6.1
-3.0	Stabilizers raised Stabilizer blade down Blade + 2 pt. down	5.9 6.8	7.3* 7.3*	3.2 3.6	4.8* 4.8*			2.8 3.2	4.3* 4.3*	4.9

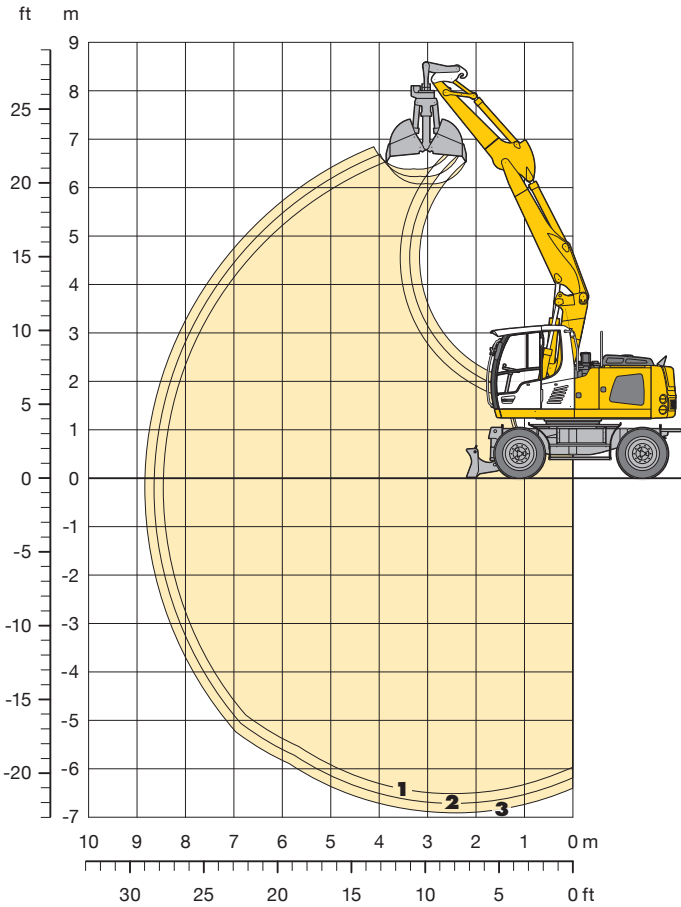
Height Can be slewed through 360° In longitudinal position of undercarriage Max. reach * Limited by hydr. capacity

The lift capacities on the load hook of the Liebherr quick coupler 33 without working tool are stated in metric tons (t) and are valid on a firm, level supporting surface with blocked oscillating axle. These capacities can be slewed through 360° with the undercarriage in the transverse position. Capacities in the longitudinal position of the undercarriage (+/- 15°) are specified over the steering axle with the stabilizers raised and over the rigid axle with the stabilizers down. Indicated loads comply with the ISO 10567 standard and do not exceed 75% of tipping or 87% of hydraulic capacity, or are limited by the permissible load of the load hook on the quick coupler (max. 5 t). Without the quick coupler, lift capacities will increase by up to 110 kg.

In accordance with the harmonised EU Standard EN 474-5, hydraulic excavators used for lifting operations must be equipped with pipe rupture protection devices on the hoist cylinders and an overload warning device.

Clamshell Grab

with Two-piece Boom 3.20 m



Digging Envelope with Quick Coupler

		1	2	3
Stick length	m	2.25	2.45	2.65
Max. digging depth	m	6.50	6.70	6.90
Max. reach at ground level	m	8.45	8.65	8.85
Max. dumping height	m	6.10	6.25	6.40

Clamshell Model

GM 8B

Max. tooth force	52 kN (5.3 t)
Max. torque of hydr. swivel	1.40 kNm

Operating Weight

The operating weight includes the basic machine with 8 tires plus intermediate rings, two-piece boom 3.20 m, stick 2.25 m, quick coupler 33 and clamshell model GM 8B/0.40 m³ (800 mm without ejector).

Undercarriage versions	Weight
A 914 Litronic with stabilizer blade	16,000 kg
A 914 Litronic with 2 pt. outriggers	16,300 kg
A 914 Litronic with stabilizer blade + 2 pt. outriggers	17,200 kg
A 914 EW Litronic with stabilizer blade	16,200 kg
A 914 EW Litronic with stabilizer blade + 2 pt. outriggers	17,400 kg

Clamshell Model GM 8B Machine stability per ISO 10567* (75% of tipping capacity)

Width of shells mm	Capacity m ³	Weight kg	Stabilizers raised			Stabilizer blade down			2 point outriggers down			Stabilizer blade + 2 pt. outr. down			EW Stabilizers raised			EW Stabilizer blade down			EW Stabilizer blade + 2 pt. outr. down		
			Stick length (m)			Stick length (m)			Stick length (m)			Stick length (m)			Stick length (m)			Stick length (m)			Stick length (m)		
			2.25	2.45	2.65	2.25	2.45	2.65	2.25	2.45	2.65	2.25	2.45	2.65	2.25	2.45	2.65	2.25	2.45	2.65	2.25	2.45	2.65
320 ¹⁾	0.17	710	□	□	□	□	□	□	□	□	□	□	□	□	□	□	□	□	□	□	□	□	□
400 ¹⁾	0.22	750	□	□	□	□	□	□	□	□	□	□	□	□	□	□	□	□	□	□	□	□	□
600 ¹⁾	0.30	750	□	□	□	□	□	□	□	□	□	□	□	□	□	□	□	□	□	□	□	□	□
800 ¹⁾	0.40	800	□	□	□	□	□	□	□	□	□	□	□	□	□	□	□	□	□	□	□	□	□
1,000 ¹⁾	0.80	900	■	▲	▲	▲	■	■	□	□	□	□	□	□	□	□	□	□	□	□	□	□	□
320 ²⁾	0.17	760	□	□	□	□	□	□	□	□	□	□	□	□	□	□	□	□	□	□	□	□	□
400 ²⁾	0.22	810	□	□	□	□	□	□	□	□	□	□	□	□	□	□	□	□	□	□	□	□	□
600 ²⁾	0.30	830	□	□	□	□	□	□	□	□	□	□	□	□	□	□	□	□	□	□	□	□	□
800 ²⁾	0.40	890	□	□	□	□	□	□	□	□	□	□	□	□	□	□	□	□	□	□	□	□	□

* Indicated loads are based on ISO 10567 and do not exceed 75% of tipping or 87% of hydraulic capacity, max. stick length without quick coupler, lifted 360° on firm with blocked oscillating axle

1) without ejector

2) with ejector

Max. material weight □ = ≤ 1.8 t/m³, △ = ≤ 1.5 t/m³, ■ = ≤ 1.2 t/m³, ▲ = not authorized

Attachments

Clamshells

Clamshell Model GM 8B Machine stability per ISO 10567* (75% of tipping capacity)

Width of shells mm	Capacity m ³	Weight kg	Stabilizers raised			Stabilizer blade down			2 point outriggers down			Stabilizer blade + 2 pt. outr. down			4 point outriggers down			EW Stabilizers raised			EW Stabilizer blade down			EW Stabilizer blade + 2 pt. outr. down		
			Stick length (m)			Stick length (m)			Stick length (m)			Stick length (m)			Stick length (m)			Stick length (m)			Stick length (m)			Stick length (m)		
			2.25	2.45	2.65	2.25	2.45	2.65	2.25	2.45	2.65	2.25	2.45	2.65	2.25	2.45	2.65	2.25	2.45	2.65	2.25	2.45	2.65	2.25	2.45	2.65
Mono Boom 4.60 m																										
320 ¹⁾	0.17	710	□	□	□	□	□	□	□	□	□	□	□	□	□	□	□	□	□	□	□	□	□	□	□	□
400 ¹⁾	0.22	750	□	□	□	□	□	□	□	□	□	□	□	□	□	□	□	□	□	□	□	□	□	□	□	□
600 ¹⁾	0.30	750	□	□	□	□	□	□	□	□	□	□	□	□	□	□	□	□	□	□	□	□	□	□	□	□
800 ¹⁾	0.40	800	□	□	□	□	□	□	□	□	□	□	□	□	□	□	□	□	□	□	□	□	□	□	□	□
1,000 ¹⁾	0.80	900	■	■	▲	△	■	■	□	□	△	□	□	△	□	□	△	△	■	■	△	△	△	□	□	△
320 ²⁾	0.17	760	□	□	□	□	□	□	□	□	□	□	□	□	□	□	□	□	□	□	□	□	□	□	□	□
400 ²⁾	0.22	810	□	□	□	□	□	□	□	□	□	□	□	□	□	□	□	□	□	□	□	□	□	□	□	□
600 ²⁾	0.30	830	□	□	□	□	□	□	□	□	□	□	□	□	□	□	□	□	□	□	□	□	□	□	□	□
800 ²⁾	0.40	890	□	□	□	□	□	□	□	□	□	□	□	□	□	□	□	□	□	□	□	□	□	□	□	□
			2.05	2.25	2.45	2.05	2.25	2.45	2.05	2.25	2.45	2.05	2.25	2.45	2.05	2.25	2.45	2.05	2.25	2.45	2.05	2.25	2.45	2.05	2.25	2.45
Offset Two-piece Boom 3.30 m																										
320 ¹⁾	0.17	710	□	□	□	□	□	□	□	□	□	□	□	□	□	□	□	□	□	□	□	□	□	□	□	□
400 ¹⁾	0.22	750	□	□	□	□	□	□	□	□	□	□	□	□	□	□	□	□	□	□	□	□	□	□	□	□
600 ¹⁾	0.30	750	□	□	□	□	□	□	□	□	□	□	□	□	□	□	□	□	□	□	□	□	□	□	□	□
800 ¹⁾	0.40	800	□	□	□	□	□	□	□	□	□	□	□	□	□	□	□	□	□	□	□	□	□	□	□	□
1,000 ¹⁾	0.80	900	▲	▲	▲	■	▲	▲	□	△	□	□	□	△	□	□	□	□	▲	▲	▲	△	■	■	□	□
320 ²⁾	0.17	760	□	□	□	□	□	□	□	□	□	□	□	□	□	□	□	□	□	□	□	□	□	□	□	□
400 ²⁾	0.22	810	□	□	□	□	□	□	□	□	□	□	□	□	□	□	□	□	□	□	□	□	□	□	□	□
600 ²⁾	0.30	830	□	□	□	□	□	□	□	□	□	□	□	□	□	□	□	□	□	□	□	□	□	□	□	□
800 ²⁾	0.40	890	□	□	△	□	□	□	□	□	□	□	□	□	□	□	□	□	□	□	□	□	□	□	□	□
Offset Mono Boom 4.30 m																										
320 ¹⁾	0.17	710	□	□	□	□	□	□	□	□	□	□	□	□	□	□	□	□	□	□	□	□	□	□	□	□
400 ¹⁾	0.22	750	□	□	□	□	□	□	□	□	□	□	□	□	□	□	□	□	□	□	□	□	□	□	□	□
600 ¹⁾	0.30	750	□	□	□	□	□	□	□	□	□	□	□	□	□	□	□	□	□	□	□	□	□	□	□	□
800 ¹⁾	0.40	800	□	□	□	□	□	□	□	□	□	□	□	□	□	□	□	□	□	□	□	□	□	□	□	□
1,000 ¹⁾	0.80	900	■	■	■	△	△	△	□	□	□	□	□	□	□	□	□	□	□	□	□	□	□	□	□	□
320 ²⁾	0.17	760	□	□	□	□	□	□	□	□	□	□	□	□	□	□	□	□	□	□	□	□	□	□	□	□
400 ²⁾	0.22	810	□	□	□	□	□	□	□	□	□	□	□	□	□	□	□	□	□	□	□	□	□	□	□	□
600 ²⁾	0.30	830	□	□	□	□	□	□	□	□	□	□	□	□	□	□	□	□	□	□	□	□	□	□	□	□
800 ²⁾	0.40	890	□	□	□	□	□	□	□	□	□	□	□	□	□	□	□	□	□	□	□	□	□	□	□	□

* Indicated loads are based on ISO 10567 and do not exceed 75% of tipping or 87% of hydraulic capacity, max. stick length without quick coupler, lifted 360° on firm with blocked oscillating axle

1) without ejector

2) with ejector

Max. material weight □ = ≤ 1.8 t/m³, △ = ≤ 1.5 t/m³, ■ = ≤ 1.2 t/m³, ▲ = not authorized

Attachments

Ditchcleaning Buckets/Tilting Buckets

Ditchcleaning Buckets Machine stability per ISO 10567* (75% of tipping capacity)

Cutting width mm	Capacity ISO 7451 ¹⁾ m ³	Weight kg	Stabilizers raised			Stabilizer blade down			2 point outriggers down			Stabilizer blade + 2 pt. outr. down			4 point outriggers down			EW Stabilizers raised			EW Stabilizer blade down			EW Stabilizer blade + 2 pt. outr. down					
			Stick length (m)			Stick length (m)			Stick length (m)			Stick length (m)			Stick length (m)			Stick length (m)			Stick length (m)			Stick length (m)					
			2.25	2.45	2.65	2.25	2.45	2.65	2.25	2.45	2.65	2.25	2.45	2.65	2.25	2.45	2.65	2.25	2.45	2.65	2.25	2.45	2.65	2.25	2.45	2.65	2.25	2.45	2.65
Two-piece Boom 3.20 m																													
1,500 ³⁾	0.50	360	□	□	□	□	□	□	□	□	□	□	□	□	□	□	□	□	□	□	□	□	□	□	□	□	□	□	
1,600 ²⁾	0.55	640	□	□	□	□	□	□	□	□	□	□	□	□	□	□	□	□	□	□	□	□	□	□	□	□	□	□	
2,000 ²⁾	0.50	660	□	□	□	□	□	□	□	□	□	□	□	□	□	□	□	□	□	□	□	□	□	□	□	□	□	□	
2,000 ³⁾	0.48	350	□	□	□	□	□	□	□	□	□	□	□	□	□	□	□	□	□	□	□	□	□	□	□	□	□	□	
2,000 ³⁾	0.65	390	□	□	□	□	□	□	□	□	□	□	□	□	□	□	□	□	□	□	□	□	□	□	□	□	□	□	
Mono Boom 4.60 m																													
1,500 ³⁾	0.50	360	□	□	□	□	□	□	□	□	□	□	□	□	□	□	□	□	□	□	□	□	□	□	□	□	□	□	
1,600 ²⁾	0.55	640	□	□	□	□	□	□	□	□	□	□	□	□	□	□	□	□	□	□	□	□	□	□	□	□	□	□	
2,000 ²⁾	0.50	660	□	□	□	□	□	□	□	□	□	□	□	□	□	□	□	□	□	□	□	□	□	□	□	□	□	□	
2,000 ³⁾	0.48	350	□	□	□	□	□	□	□	□	□	□	□	□	□	□	□	□	□	□	□	□	□	□	□	□	□	□	
2,000 ³⁾	0.65	390	□	□	□	□	□	□	□	□	□	□	□	□	□	□	□	□	□	□	□	□	□	□	□	□	□	□	
			2.05	2.25	2.45	2.05	2.25	2.45	2.05	2.25	2.45	2.05	2.25	2.45	2.05	2.25	2.45	2.05	2.25	2.45	2.05	2.25	2.45	2.05	2.25	2.45	2.05	2.25	2.45
Offset Two-piece Boom 3.30 m																													
1,500 ³⁾	0.50	360	□	□	□	□	□	□	□	□	□	□	□	□	□	□	□	□	□	□	□	□	□	□	□	□	□	□	
1,600 ²⁾	0.55	640	□	△	△	□	□	□	□	□	□	□	□	□	□	□	□	□	□	□	□	□	□	□	□	□	□	□	
2,000 ²⁾	0.50	660	□	□	△	□	□	□	□	□	□	□	□	□	□	□	□	□	□	□	□	□	□	□	□	□	□	□	
2,000 ³⁾	0.48	350	□	□	□	□	□	□	□	□	□	□	□	□	□	□	□	□	□	□	□	□	□	□	□	□	□	□	
2,000 ³⁾	0.65	390	□	□	△	□	□	□	□	□	□	□	□	□	□	□	□	□	□	□	□	□	□	□	□	□	□	□	
Offset Mono Boom 4.30 m																													
1,500 ³⁾	0.50	360	□	□	□	□	□	□	□	□	□	□	□	□	□	□	□	□	□	□	□	□	□	□	□	□	□	□	
1,600 ²⁾	0.55	640	□	□	□	□	□	□	□	□	□	□	□	□	□	□	□	□	□	□	□	□	□	□	□	□	□	□	
2,000 ²⁾	0.50	660	□	□	□	□	□	□	□	□	□	□	□	□	□	□	□	□	□	□	□	□	□	□	□	□	□	□	
2,000 ³⁾	0.48	350	□	□	□	□	□	□	□	□	□	□	□	□	□	□	□	□	□	□	□	□	□	□	□	□	□	□	
2,000 ³⁾	0.65	390	□	□	□	□	□	□	□	□	□	□	□	□	□	□	□	□	□	□	□	□	□	□	□	□	□	□	

Tilting Buckets Machine stability per ISO 10567* (75% of tipping capacity)

Cutting width mm	Capacity ISO 7451 ¹⁾ m ³	Weight kg	Stabilizers raised			Stabilizer blade down			2 point outriggers down			Stabilizer blade + 2 pt. outr. down			4 point outriggers down			EW Stabilizers raised			EW Stabilizer blade down			EW Stabilizer blade + 2 pt. outr. down					
			Stick length (m)			Stick length (m)			Stick length (m)			Stick length (m)			Stick length (m)			Stick length (m)			Stick length (m)			Stick length (m)					
			2.25	2.45	2.65	2.25	2.45	2.65	2.25	2.45	2.65	2.25	2.45	2.65	2.25	2.45	2.65	2.25	2.45	2.65	2.25	2.45	2.65	2.25	2.45	2.65	2.25	2.45	2.65
Two-piece Boom 3.20 m																													
1,500 ²⁾	0.60	660	□	□	△	□	□	□	□	□	□	□	□	□	□	□	□	□	□	□	□	□	□	□	□	□	□	□	
Mono Boom 4.60 m																													
1,500 ²⁾	0.60	660	□	□	□	□	□	□	□	□	□	□	□	□	□	□	□	□	□	□	□	□	□	□	□	□	□	□	
			2.05	2.25	2.45	2.05	2.25	2.45	2.05	2.25	2.45	2.05	2.25	2.45	2.05	2.25	2.45	2.05	2.25	2.45	2.05	2.25	2.45	2.05	2.25	2.45	2.05	2.25	2.45
Offset Two-piece Boom 3.30 m																													
1,500 ²⁾	0.60	660	△	△	■	□	□	△	□	□	□	□	□	□	□	□	□	□	□	□	□	□	□	□	□	□	□	□	
Offset Mono Boom 4.30 m																													
1,500 ²⁾	0.60	660	□	□	□	□	□	□	□	□	□	□	□	□	□	□	□	□	□	□	□	□	□	□	□	□	□	□	

* Indicated loads are based on ISO 10567 and do not exceed 75% of tipping or 87% of hydraulic capacity, max. stick length without quick coupler, lifted 360° on firm with blocked oscillating axle

1) comparable with SAE (heaped)

2) with 2 x 50° rotator

3) rigid ditchcleaning bucket

Max. material weight □ = ≤ 1.8 t/m³, △ = ≤ 1.5 t/m³, ■ = ≤ 1.2 t/m³, ▲ = not authorized

Equipment



Undercarriage

Dual-circuit braking system	•
Tires Mitas EM 22	•
Individual outrigger control	+
EW-undercarriage 2.75 m/9'	+
Travel speed levels (four)	•
Piston rod protection stabilizer cylinders	+
Load holding valve on each stabilization cylinder	•
Powershift transmission, semiautomatic	•
Parking brake, maintenance-free	•
Tire variants, various	+
Custom paintwork undercarriage	+
Speeder*	+
Tool equipment, extended	+
Tool box left – lockable	•
Tool box right – lockable	+
Central lubrication undercarriage	+



Uppercarriage

Refuelling system with refuelling pump	+
Main battery switch for electrical system	•
Engine hood with gas spring	•
Uppercarriage doors, lockable	•
Beacon on counterweight	+
Custom paintwork uppercarriage	+
Central lubrication system, automatic**	•



Hydraulics

Shut-off valve between hydraulic tank and pump(s)	•
Pressure test fittings	•
Accumulator for controlled lowering of the attachment with the engine shut down	•
Hydraulic oil filter with integrated microfilter	•
Liebherr hydraulic oil, biologically degradable	+
Liebherr hydraulic oil, specially for warm or cold regions	+
Liebherr hydraulic oil from -20 °C to +40 °C	•
Bypass filter	+
Switchover high pressure circuit and tipping cylinder	+
Switchover high pressure circuit and adjustment cylinder (two-piece boom)	+



Engine

Fuel anti-theft device	+
Fuel pre-heating	+
Liebherr particle filter	+
Air pre-cleaner with dust trap	+



Operator's Cab

Storage compartment	•
7" colour multifunction display with touchscreen and quick access buttons	•
Mechanical hour meters, readable from outside the cab	•
Operator's seat Standard, pneumatic air cushioned operator's seat, manual weight adjustment, seat heater, headrest, lap belt, adjustable seat cushion, mechanical lumbar vertebrae support	•
Operator's seat Comfort, additional with automatic weight adjustment, horizontal suspension, pneumatic lumbar vertebrae support and passiv seat climatization	+
Operator's seat Premium, additional with electronic weight adjustment and active seat climatization	+
Driving alarm (acoustic signal is emitted during travel, can be switched ON/OFF)	+
Fire extinguisher	+
Windscreen retractable (including upper part)	•
Front screen intermittent wiper (adjustable) and washing system	•
Rubber floor mat, removable	•
Dome light	•

Coat hook	•
Automatic air conditioning**	•
Fuel consumption indicator	•
Electric cooler	+
Steering wheel, wide version (cost-neutral option)	+
Steering column adjustable horizontally	•
LIDAT Plus (extended Liebherr data transfer system)***	•
Automatic engine shut-down (time adjustable)	+
Emergency exit rear window	•
Bullet proof front screen – not adjustable	+
Bullet proof glass (top)	+
Positioning swing brake	+
Proportional control on top of joysticks for middle and high pressure circuit	+
Preparation for radio installation	•
Radio controllable by touch-screen-terminal	+
Rain hood over front window opening	•
ROPS cab protection	•
Back-up alarm (acoustic signal is emitted traveling backward, can not be switched off)	+
Rear view monitoring with camera**	+
Beacon on cab	•
All tinted windows	•
Wiper for sunroof	+
Two flood lights (halogen) under rain hood	•
Xenon headlights	+
Door with sliding window	•
Protective grid up FOPS	+
Protective grid front	+
Right window and windshield with safety glass	•
Sun roller blind	•
Auxiliary heating system with clock timer	+
Cruise control	•
Electronic immobilizer	+
Cigarette lighter and ashtray	•
Additional headlights behind cab	+
Additional headlights front cab	+



Attachment

High pressure circuit incl. lines	+
Electronic lift limitation	+
Piston rod protection tipping cylinder	+
Piston rod protection stick cylinder	+
Load hook on stick	+
Shackle on stick	+
Leak oil line, additional for working tools	+
Liebherr ditchcleaning bucket	+
Liebherr quick coupler, hydraulic or mechanical	+
Liebherr tilting bucket	+
Liebherr tilt rotator	+
Liebherr sorting grapple	+
Liebherr backhoe bucket	+
Liebherr tooth system	+
Liebherr clamshell grab	+
LIKUFIX, coupling hydraulic tools from the cab	+
Middle pressure circuit incl. lines	+
Mono boom	+
Offset mono boom	+
Pipe fracture safety valves hoist cylinders	•
Pipe fracture safety valve tipping cylinder	+
Pipe fracture safety valve stick cylinder	•
Return line separately for hydraulic hammer operation, pressureless (option in high pressure circuit included)	+
Hose quick coupling at end of stick	•
Custom painting for tools	+
Tool Control, 10 tool adjustments selectable over the display	+
Tool Management, automatic tool recognition (in combination with LIKUFIX)	+
Overload warning device	•
Bottom chord protection for stick	•
Two-piece boom	+
Offset two-piece boom	+
Central lubrication system, expanded for connecting link	+
Central lubrication for quick coupler	+

• = Standard, + = Option

* = depending upon the country partially only 25 km/h permitted, ** = country-dependent, *** = optionally extendable after one year

Options and/or special attachments, supplied by vendors other than Liebherr, are only to be installed with the knowledge and approval of Liebherr in order to retain warranty.

The Liebherr Group of Companies



Wide Product Range

The Liebherr Group is one of the largest construction equipment manufacturers in the world. Liebherr's high-value products and services enjoy a high reputation in many other fields. The wide range includes domestic appliances, aerospace and transportation systems, machine tools and maritime cranes.

Exceptional Customer Benefit

Every product line provides a complete range of models in many different versions. With both their technical excellence and acknowledged quality, Liebherr products offer a maximum of customer benefits in practical application.

State-of-the-art Technology

To provide consistent, top quality products, Liebherr attaches great importance to each product area, its components and core technologies. Important modules and components are developed and manufactured in-house, for instance the entire drive and control technology for construction equipment.

Worldwide and Independent

Hans Liebherr founded the Liebherr family company in 1949. Since that time, the enterprise has steadily grown to a group of more than 120 companies with over 35,000 employees located on all continents. The corporate headquarters of the Group is Liebherr-International AG in Bulle, Switzerland. The Liebherr family is the sole owner of the company.

www.liebherr.com