

WORKMAX 800 D



A Product of Hard Work





## **Tough, versatile, reliable**

The JCB WORKMAX 800 D is your new choice in UTVs. Designed for professional users, this 784cc three-cylinder diesel delivers all the power you need in a compact 4x4. Best of all, this tough little vehicle comes from JCB, the world's third biggest construction equipment manufacturer with a heritage spanning 65 years. You'll find our products at work on construction sites, down on the farm

## GO-ANYWHERE PERFORMANCE



and in essential back-up roles relied upon by the military to perform in overseas defence theatres. The WORKMAX 800 D is a robust performer that delivers what you would expect in a mid-size UTV: steel tipping cargo deck, independent all-round suspension for a comfortable driving experience, and superior off-road and hill-climb performance due largely to 265mm (10") minimum ground

clearance. The all-up load capacity is 600 kg (1323lbs) and there is a choice of two seating types – bucket seats or bench.

Here is the perfect solution for professional users, designed with safety and strength in mind. It's time to get off that ATV, and get into the JCB WORKMAX 800 D.

**This big one digs holes**





**But this little one gets you out of 'em.**

Each of these machines is designed to work hard for a living. And they're both from the same stable; JCB, the world's third biggest construction equipment manufacturer.

The big machine is a very special high-speed, ultra-high-performance backhoe loader specially built for military applications. It is capable of lifting more than the weight of a UTV in a single bite.

At the other end of the scale, the compact JCB WORKMAX 800 D weighs in at only 710kg (1565lbs) unladen. Nevertheless it's a tough and versatile performer.



## Operator Environment

Spacious interior with flat floor. Lots of leg room

Choice of bench or bucket seat to match your preference

Fully adjustable drivers seat ( bucket seat option )

Certified ROPS (Rollover Protective Structure) as standard, meeting international safety requirements

Inertia locking seat belts

Automotive style controls. Easy-to-use accelerator and brake pedals

The only UTV in it's class to have digital instrumentation, including speedometer and milometer

Plug-in devices such as GPS, air compressor, night lamps. 12V socket fitted as standard

Roof canopy fitted as standard – protection from sun and rain

Full operator enclosure option, with hard or soft doors

A heavy-duty bull bar option will protect the front end

## Easy Service Access

The radiator is strategically angled under the bonnet, away from impact zones. Coolant reservoir located under the bonnet

Rubber boots protect the CV joints on each wheel. Plastic deflector fitted on all four sides for additional protection

## Engine and Transmission

Smooth, quiet 14.9kW (20hp) Yanmar diesel. 3 cylinder liquid cooled  
Selectable electronic 4WD and diff lock

Heavy-duty dual element air filter standard, protecting the engine in all environments. Filter intake mounted high to allow wading through water with no risk to the engine

Top speed 40kph (25mph) WORKMAX 800 D easily keeps pace with your fastest farm equipment

Sealed transmission, CVT belt made from Kevlar for superior strength and durability

Effortless and continuously variable 2 speed CVT transmission – no loss of traction in extreme conditions

32 litres (8.5 gallon) fuel tank keeps you going for longer between fills

## Brakes

Superior downhill braking from a combination of four-wheel hydraulic disc brake which automatically engages 4WD for additional safety

Hand operated park brake is an independent mechanical disc to lock the vehicle

## Chassis

One piece structure for maximum strength, ensuring excellent power to weight ratio

## Suspension

Independent rear suspension ensures a smooth ride through rough terrain. Double wishbone 'A' arms on the rear with coil over shocks means you and your passengers enjoy a smooth, stable and comfortable ride

Also – progressive rate springs ensure a smooth ride whether laden or unladen. WORKMAX is the only UTV in its class to offer this

MacPherson strut front suspension on each of the front wheels – an independent suspension system to maximise shock absorption and minimise body tilt

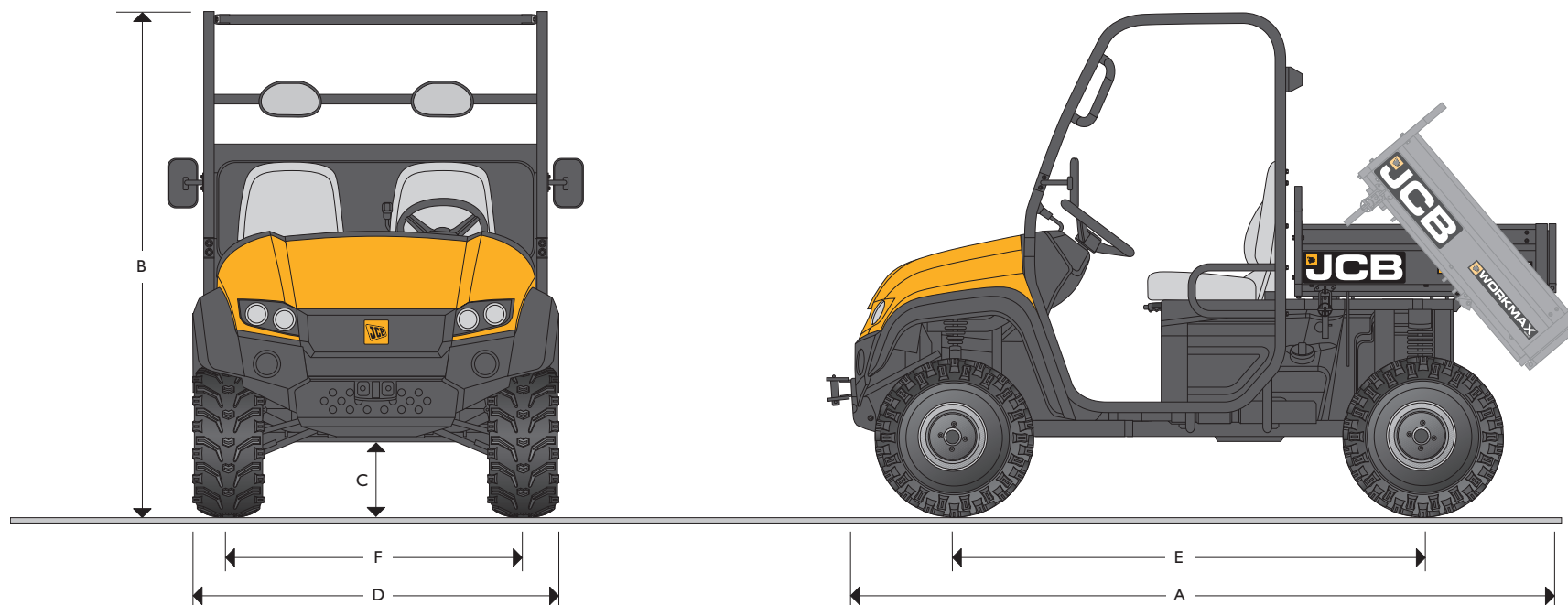
With over 265mm (10 inches) of go-anywhere ground clearance, the WORKMAX 800 D can cruise over rough and unpredictable terrain without worry. Superior off-road and hill climb performance

## Wheels and Tyres

Perfectly suited for every model to maximise stability and traction. Off-road tyres for maximum traction and control in tough environments, or turf tyres to minimise damage to the ground

25 inch tyres and automotive style steel rims with 5 stud configuration

CARGO CAPACITY: 400kg (882lb) ENGINE POWER: 14.9kW (20hp) MAX. TRAVEL SPEED: 40kph (25mph)


**STATIC DIMENSIONS**

Machine model	800 D
	mm (in)
A Overall length	2836 (111.7)
B Max. height (over ROPS)	1995 (78.5)
C Ground clearance	265 (10.4)
D Overall width	1474 (58)
E Wheel base	1905 (75)
F Wheel track front	1205 (47.4)
Wheel track rear	1169 (46)

Machine model	800 D
Tipping angle	degrees 55
<b>Cargo deck</b>	
Length	mm (in) 996 (39.2)
Width	mm (in) 1330 (52.4)
Depth	mm (in) 240 (9.45)
Capacity	kg (lb) 400 (882)
Volume	m <sup>3</sup> (ft <sup>3</sup> ) 0.32 (11.3)





ENGINE

Machine model		800 D
Type		Yanmar Diesel
Capacity	litres (in <sup>3</sup> )	0.784 (47.8)
Bore	mm (in)	68 (2.7)
Stroke	mm (in)	72 (2.8)
Aspiration		Natural
Cylinders		3
Rated power – ISO 14396 (SAE J1995 – Gross)		
Gross power	kW hp	14.9 (20)
Torque rating		
Gross torque	Nm (lbf-ft)	45 (33.2)

Exhaust emissions certified to EPA Tier 4, California (CARB).

TRANSMISSION

Machine model		800 D
Type		Continuously Variable Transmission (CVT)
Gear selection		High/Low/Reverse/Neutral
Differential lock		Electronic
4 wheel drive		Electronic
Road speed	kph (mph)	40 (25)

TYRES

Machine model		800 D
Off road – front		25 x 10-12
Off road – rear		25 x 10-12

SERVICE FILL CAPACITIES

Machine model		800 D
Fuel tank	litres (gal)	32 (8.5)
Engine oil sump and filter	litres (gal)	2.5 (0.7)
Transmission system – Gearbox	litres (gal)	1.2 (0.3)
Transmission system – Front diff	litres (gal)	1 (0.3)
Transmission system – Rear diff	litres (gal)	1 (0.3)

SUSPENSION

**Front:** Independent, double wishbone "A" Arms with progressive rate springs. **Rear:** Arms, with progressive rate springs.

BRAKES

**Service:** 4x4 Hydraulic disc. **Park brake:** 1 independent mechanical disc.

ELECTRICAL SYSTEM

Machine model		800 D
System voltage	volt	12
Alternator output	Amp hour	40

OPERATING WEIGHTS

Machine model		800 D
Unladen weight (including fuel and fluids and ROPS frame)	kg (lb)	710 (1565)
Maximum payload (including 2 operators at 220lb each)	kg (lb)	600 (1323)
Towing capacity (Unbraked)	kg (lb)	500 (1102)

STANDARD EQUIPMENT

**Engine:** EPA Tier 4.

**Steering:** Rack and pinion.

**Body:** Steel front and underbody protection.

**Cargo Deck:** 10 gauge floor plate steel.

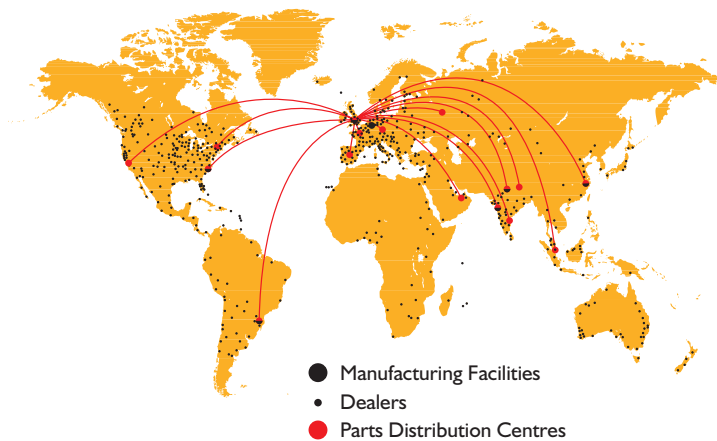
ROPS frame with roof; Digital instrumentation; Basic lights; 12V socket.

OPTIONAL EQUIPMENT

Colour kits – yellow, green, camouflage (real tree); Front and rear screen kit; Rear mesh screen kit; Door kits – lower, soft and hard; Beacon kit; Front brush guard; Front tow hitch; Hydraulic cargo deck lift; Front "warn" winch; Plastic cargo deck liner; Work lamp kit; Cab heater.

## A few words about JCB

A groundbreaking, world class family business with a commitment to supporting our customers and protecting the environment



**A family company on a global scale.** JCB is no ordinary company. From the dreams of one man, Joseph Cyril Bamford, we have grown into the world's largest privately owned construction equipment company. Since 1945, the same attention to detail, passion for progress and family spirit has taken us from strength to strength. Nowadays JCB operates across six continents, manufacturing at 20 factories in the UK, Brazil, Germany, China, North America and India. With 2,000 dealer depots selling and supporting our products in over 150 countries, we are the global market leader for backhoe loaders and telescopic handlers.

**A history of world-class innovation.** Our business has always been driven by innovation, using only the most advanced technology, meticulous design, precision engineering and rigorous testing. Evidence of this commitment to innovation is illustrated in our revolutionary JCB DIESELMAX engine. Having grabbed the headlines when it smashed the world diesel land speed record at 350.092mph, it is now providing our customers with tomorrow's performance today.



**Doing things more efficiently, more sustainably.** Since 2007 we have reduced our carbon emissions by 20%. We are continually working to further reduce the carbon footprint of our operations and, in partnership with our suppliers, our whole supply chain. We are also committed to designing our products to be sustainable during manufacturing, over the life of the machine and through end-of-life recycling. Our new ECO machines, for example, offer significant fuel and carbon savings; an average of 16% on the ECOs, ECO skid steers and ECO compact track loaders, and 22% on the 8085 ECO.







JCB Utility Products, Cecilly Mills, Oakamoor Road, Cheadle, Staffordshire, United Kingdom ST10 4QT. Tel: +44 (0)1538 758000 Email: [salesinfo@jcb.com](mailto:salesinfo@jcb.com)  
Download the very latest information on this product range at: [www.jcb.com](http://www.jcb.com)

©2009 JCB Sales. All rights reserved. No part of this publication may be reproduced, stored in a retrieval system, or transmitted in any form or by any other means, electronic, mechanical, photocopying or otherwise, without prior permission from JCB Sales.  
JCB reserves the right to change specifications without notice. Illustrations and specifications shown may include optional equipment and accessories. The JCB logo is a registered trademark of J.C. Bamford Excavators Ltd.

