

# KOMATSU

## PW180-7

ENGINE POWER  
116 kW / 156 HP @ 2.000 rpm

OPERATING WEIGHT  
16.020 - 18.440 kg

BUCKET CAPACITY  
max. 1,13 m<sup>3</sup>

**PW**  
**180**

HYDRAULIC WHEELED EXCAVATOR



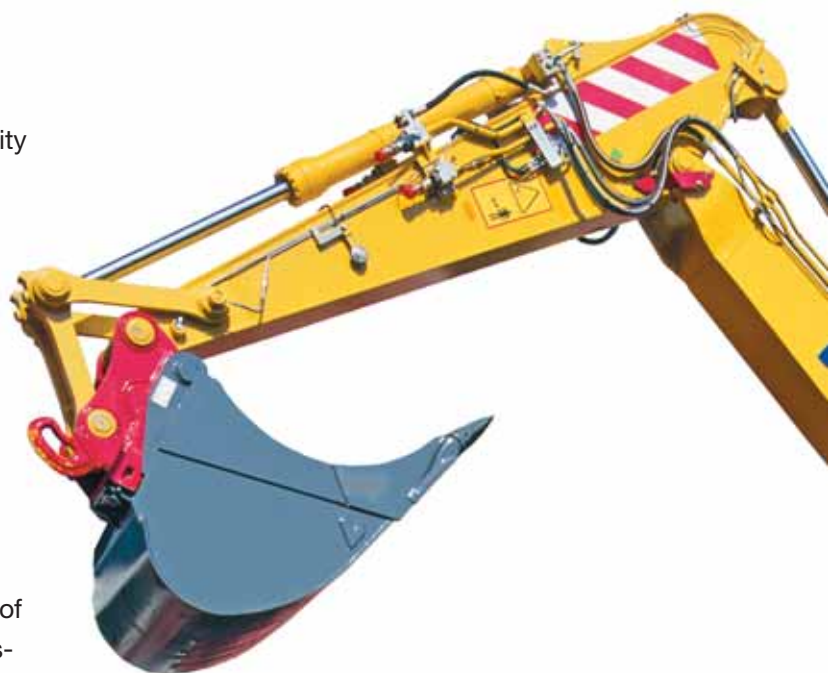
## PW180-7

# WALK-AROUND

The PW180-7 is a rugged, productive, all-European machine. Designed and expressly built for European markets, it delivers productivity, reliability and operator comforts in a robust, environmentally-friendly package. Komatsu's exclusive, on-board, HydraulMind system assists in all operations, providing enhanced machine performance that's always perfectly matched to the task.

## High productivity

- High lifting capacity and good stability
- High drawbar pull



## Advanced Attachment Control

The PW180-7 is equipped to handle a wide variety of attachments. The advanced attachment control system features:

- Operator selectable hydraulic flow control
- Adjustable presets for rapid attachment changeover
- Attachment piping options for breaker, clamshell or crusher

## Undercarriage

- Designed for high ground clearance
- Virtually zero axle rocking with out-board wet disc system
- Powerful drawbar pull
- Automatic 3-speed travel
- 35 km/h maximum travel speed
- Optional undercarriage width: 2,75 m



## Komatsu Tracking System

Track and monitor your machine anytime, anywhere for total peace of mind.

**ENGINE POWER**  
116 kW / 156 HP

**OPERATING WEIGHT**  
16.020 - 18.440 kg

**BUCKET CAPACITY**  
max. 1,13 m<sup>3</sup>

## SpaceCab™

- Sealed and pressurised cab with standard climate control
- Low-noise design
- Low-vibration design with viscous cabin damper mounting
- Cab moved forward for better visibility
- Ergonomic control levers
- Seat specially designed for wheeled machines, with exceptional extra comfort

## Excellent reliability and durability

- Reliable major components designed and built by Komatsu
- Exceptionally reliable electronic devices

## In harmony with the environment

- The economy mode reduces fuel consumption
- Low operating noise
- Designed for easy end-of-life recycling



**ecot3**  
ecology & economy - technology 3

The Komatsu SAA6D107E-1 engine meets EU Stage IIIA and EPA Tier III emission regulations.



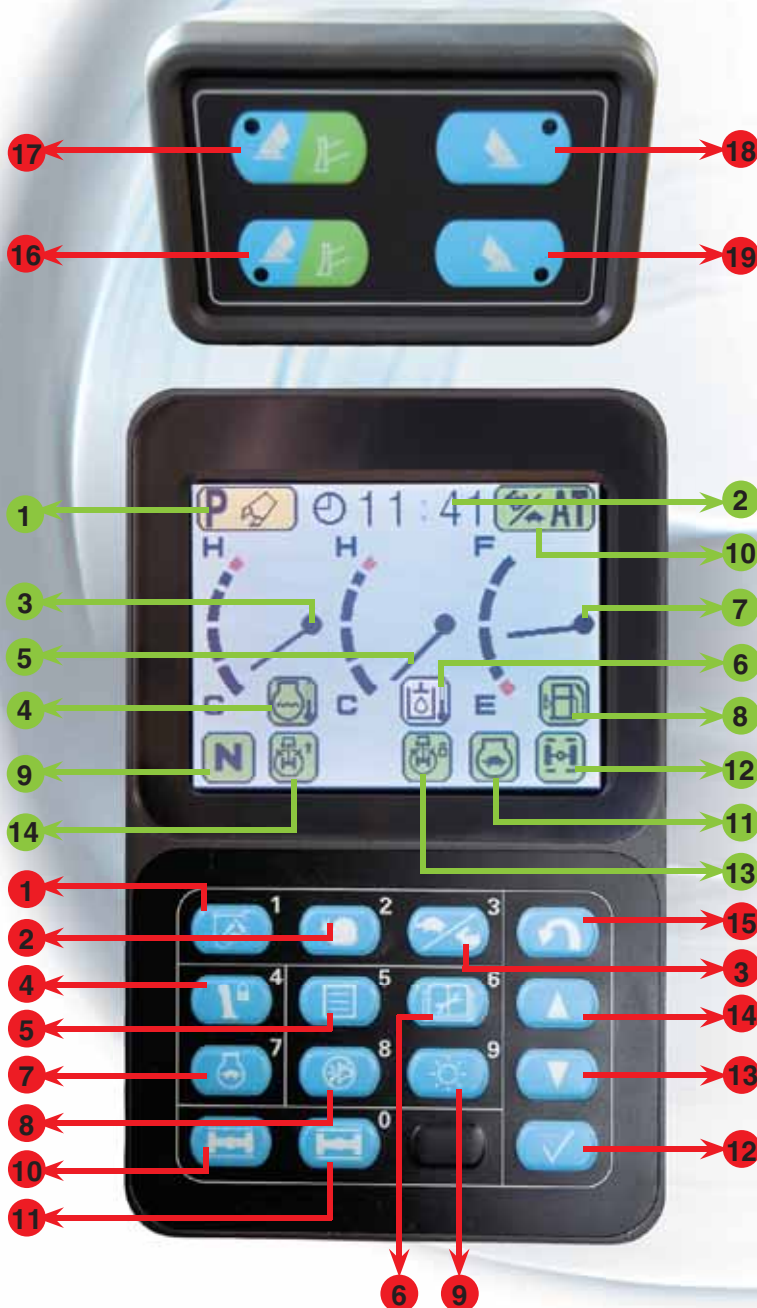
# EMMS

## EMMS (Equipment Management and Monitoring System)

The EMMS is a highly sophisticated system, controlling and monitoring all the excavator functions. The user interface is highly intuitive and provides the operator with easy access to a huge range of functions and operating information.

### Four working modes

The PW180-7 is equipped with three working modes: (P, E, B), plus a lifting mode (L). Each mode is designed to match the engine speed, pump speed, and system pressure with the current operating requirement. This provides the flexibility to match equipment performance to the job at hand.



### On-screen symbols

- 1 Working mode
- 2 Service meter and clock
- 3 Engine water gauge
- 4 Engine water temperature warning
- 5 Hydraulic oil gauge
- 6 Hydraulic oil temperature warning
- 7 Fuel gauge
- 8 Fuel low level warning
- 9 Travel direction
- 10 Travel mode
- 11 Auto deceleration
- 12 Suspension lock
- 13 Swing lock
- 14 Swing position

### Push-button control switches

- 1 Working mode select
- 2 Creep speed
- 3 High/low speed select
- 4 Control lever lock
- 5 Menu select key
- 6 Service menu
- 7 Engine auto deceleration
- 8 Buzzer cancel
- 9 Brightness adjust
- 10 Suspension auto lock
- 11 Suspension lock
- 12 Accept key
- 13 Scroll down
- 14 Scroll up
- 15 Undo switch
- 16 Rear left outrigger/blade
- 17 Front left outrigger/blade
- 18 Front right outrigger
- 19 Rear right outrigger

## Power mode

For maximum power and fast cycle times. Normally used for heavy operations such as hard digging and loading. This mode allows access to the 'PowerMax' function to temporarily increase the digging force by 7% for added power in tough situations.

## Economy mode

The environmentally-friendly mode. For running more quietly during operations at night and/or in urban areas. Fuel consumption and exhaust emissions are reduced.

## Breaker mode

Delivers optimal hydraulic pressure, flow and engine RPMs for powerful breaker operations.

## Lifting mode

Increases the lifting capacity 7% by raising the hydraulic pressure. This mode supports safe lifting operations.

Working mode	Application	Advantage
P	Power mode	<ul style="list-style-type: none"> <li>• Maximum production/power</li> <li>• Fast cycle times</li> </ul>
E	Economy mode	<ul style="list-style-type: none"> <li>• Excellent fuel economy</li> </ul>
B	Breaker mode	<ul style="list-style-type: none"> <li>• Optimum engine RPMs and hydraulic flow</li> </ul>
L	Lifting mode	<ul style="list-style-type: none"> <li>• Hydraulic pressure has been increased by 7%</li> </ul>



Hydraulic flow general adjustment screen in B (breaker) mode



Fine tune hydraulic flow adjustment screen in B (breaker) mode



Fine tune hydraulic flow adjustment screen in P (power) or E (economy) mode



Password screen

## Easy to see and easy to use

Superb recognition colour LCD screens for each mode. Letters and numbers are combined with colour images for exceptionally clear and easy-to-read information. The high-resolution screen is easy to read in bright sunlight and in all lighting conditions.

## Automatic three-speed travel

The travel speed is automatically shifted from high to low speed, according to the ground conditions.

	High	Low	Auto	Creep
Travel speed	35 km/h	9,5 km/h	0 - 35 km/h	2,5 km/h

## Fingertip hydraulic pump oil flow adjustment

From the LCD monitor, you can automatically select the optimal hydraulic pump oil flow for breaking, crushing, and other operations in the B, P or E modes. Also, when simultaneously operating with attachments and work equipment, the flow to the attachment is reduced automatically, thus delivering a smooth movement of the work equipment.

## Password protection

Prevents unauthorised machine use or transport. The engine cannot be started without your four-digit use or password.

For total security, the battery is connected directly to the starter motor. Both the starter and the engine need the password.

The password can be activated and deactivated upon request.

# WORKING ENVIRONMENT

**PW180-7's cab interior is spacious and provides a comfortable working environment...**

## SpaceCab™

### Comfortable cab

The new PW180-7 inner cab volume is 14% greater than the Dash 6 models, offering an exceptionally comfortable operating environment. The large cab enables the seat, with headrest, to be reclined to horizontal.

### Pressurised cab

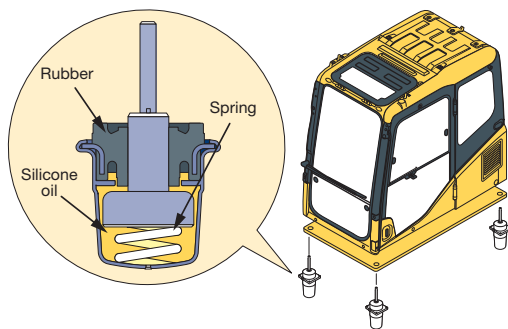
The standard-equipped climate control, air filter and a higher internal air pressure resist dust entry into the cab.

### Low-noise design

Noise levels are substantially reduced; engine noise as well as swing and hydraulics operations noise.

### Cab damper mounting for low vibration levels

PW180-7 uses a new and improved viscous damping cab mount system that incorporates a longer stroke plus an added spring. The new cab damper mounting, combined with strengthened left and right-side decks, aids the reduction of vibrations to the operator's seat.



Outer air filter

Easy removal/installation of the air conditioner filter element, without tools facilitates easier cleaning.



Large sun roof with integrated sun shade



12-Volt power supply and (optional) radio cassette



Climate control



Tiltable steering wheel with several functions; wiper control, indicator, horn, and head lights



## Safety features

### Multi-position controls

The multi-position, proportional pressure control levers allow the operator to work in comfort whilst maintaining precise control. A double-slide mechanism allows the seat and controllers to move together, or independently, allowing the operator to position the controllers for maximum productivity and comfort.



Hot and cool box



Joysticks with proportional control button for attachments



Seat sliding range: 340 mm



Defroster/demister

### Improved, wide visibility

The right side window pillar has been removed and the rear pillar reshaped to provide greater visibility. Blind spots have been decreased by 34%.

### Pump/engine room partition

This prevents hydraulic oil from spraying onto the engine to reduce the risk of fire.

### Thermal and fan guards

Are placed around high-temperature parts of the engine.

### Steps with non-skid surface and large handrail

Steps with non-slip surfacing ensure safer maintenance.

Thermal guard



Non-slip sheet

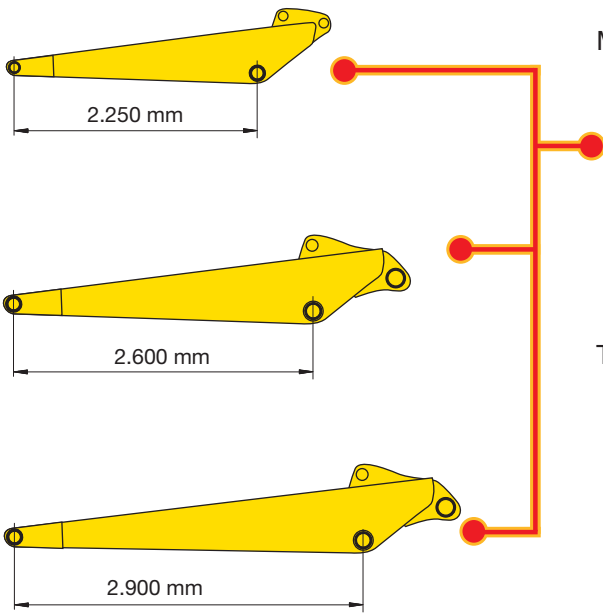


Large handrail for safe access



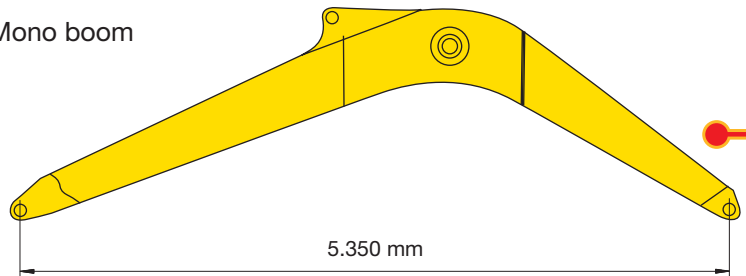
# FLEXIBILITY

## ARMS

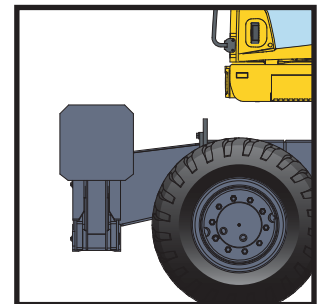
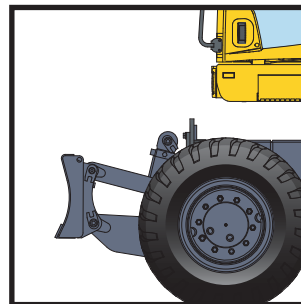
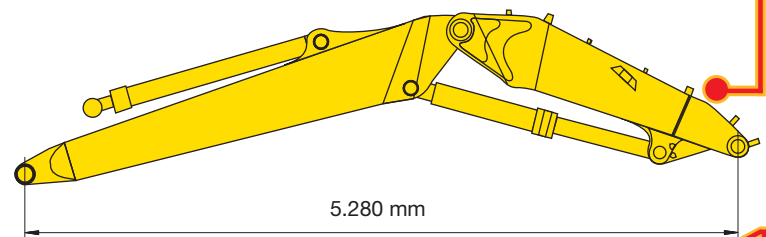


## BOOMS

Mono boom



Two-piece boom



### Additional hydraulic circuits

A 2-way additional hydraulic circuit, electrically controlled from the wrist control levers, is fitted as standard.

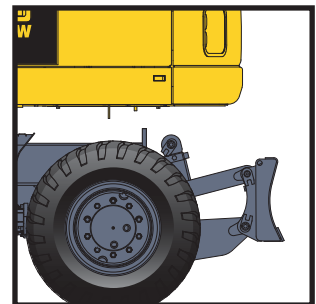
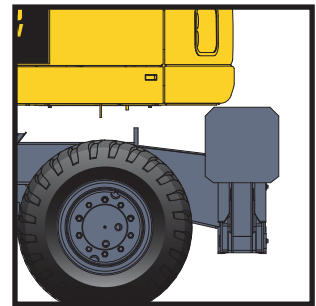


### Outriggers

Independently controlled outriggers are optionally available on both, the front and rear of the machine. The cylinder protections are standard on the outriggers.



The PW180-7 can be specified with an enormous range of work equipment and undercarriage attachments to meet the needs of almost any application.



### Attachments commonality & functionality

The stabilizer and dozer blade are interchangeable, and therefore can be attached on the front or rear of the chassis. The stabilizer and dozer blade are controllable from the monitor panel. The monitor panel has four buttons that allow individual attachment operation as well as collective operation.



#### Toolbox

Tough, secure toolbox, integrated in the mudguards. Optionally fitted on both sides of the undercarriage.



#### Dozer blade

A parallel blade is available with standard cylinders protector for both the front and rear of the machine. Dimensions:  
with 2,55 m undercarriage: 2.550 mm × 520 mm  
with 2,75 m undercarriage: 2.750 mm × 520 mm

# EASY OPERATION

As well as operating the standard work equipment movements, the RH wrist control lever is also used to operate the undercarriage. When used in conjunction with the selection switch on the control panel, full independent control of outriggers and dozer blade is immediately available. This feature, together with the automatic axle lock, enables the machine to be moved, stabilized and operated extremely quickly.

### Travel control

A rock button is installed on the right hand lever, it controls the travel operation into forward, neutral and rear.



### Clamshell control

Anti-clock wise clamshell rotation.



### Undercarriage attachment control

After a single touch, the lever can be used to precisely operate the selected undercarriage attachment. After operating the undercarriage attachments, a single touch reverts the lever into standard boom operation.

### Breaker control

Used for breaker operation when B mode is selected.



# PRODUCTIVITY FEATURES



## Safe and precise lifting

PW180-7's stability is one of the best in its class. The machine is equipped with boom safety valves and overload caution as standard. This combined with the control of HydrauMind and the power of the lifting mode, gives incredible safe and precise lifting performance. Example: The over-front lifting capacity (reach 6,0 m over front, height 1,5 m) has a capacity of 6,1 tonnes (dozer blade down).

## Improved fuel consumption

With its newly developed Komatsu ECOT3 engine, the PW180-7 significantly reduces hourly fuel consumption through highly efficient techniques for matching the engine and hydraulic unit. The Komatsu SAA6D107E-1 engine meets EPA Tier III, and EU Stage IIIA emissions regulations and reduces NOx emissions.

## PowerMax function

PowerMax can be selected by depressing a joystick button for an instant burst of power to help break through tough digging situations. The PowerMax function is available in the P and E working mode.

**Bucket digging force\*:** 12.500 kg (123 kN)

**Arm crowd force\*:** 9.700 kg (95 kN)

\* Measured with PowerMax function, 2.250 mm arm and ISO rating



## Superb visibility

Excellent all-round visibility is provided by large panoramic windows. Front visibility is further improved by the use of the Komatsu patented wiper system. When not in use the wiper parks on the cab frame itself with no contact with the front window. As well as giving excellent visibility, this systems avoids the need to disconnect the wiper before lifting the front window. The standard new plexiglas roof with sun visor gives the operator a better view of overhead obstacles and machine operations. It also allows more natural light to illuminate the cab's interior.



# REVOLUTIONARY MACHINE MANAGEMENT



The Komatsu Tracking System, KOMTRAX™, provides a revolutionary new way to monitor your equipment, anytime, anywhere. It lets you pin-point the precise location of your machines and obtain real-time machine data. Using GPS location and communication satellite technology, it's designed to be future proof and will meet your demands today and tomorrow.

Komtrax will help you to answer the three most important questions you have about your machine:

- Is the machine making money
- Is the machine safe
- Is the machine in good health

For more details, please ask your distributor for a copy of the Komtrax brochure.



Check machine location



Customer



Check service meter



Annual working hour record

Date	Working Hours	...
2011/01/01	10.0	...
2011/01/02	12.5	...
2011/01/03	8.0	...

Caution and periodic maintenance

Item	Due Date	Status
Oil Change	2011/02/15	Completed
Filter Replacement	2011/03/01	Pending

Working record (fuel level, hours etc.)

Date	Fuel Level	Hours	...
2011/01/01	100%	10.0	...
2011/01/02	85%	12.5	...

There are certain countries where KOMTRAX™ is not yet available, please contact your distributor when you want to activate the system. Komtrax will not operate if the satellite signal is blocked or obscured.

# MAINTENANCE FEATURES

## Easy maintenance

Komatsu designed the PW180-7 to have easy service access. By doing this, routine maintenance and servicing are less likely to be skipped. This can mean a reduction in costly downtime later on. Here are some of the many service features found on the PW180-7:

### Easy access to the engine oil filter and fuel drain valve

The engine oil filter and fuel drain valve are mounted remotely to improve accessibility.

### Side-by-side cooling

The oil cooler and radiator are installed side by side. As a result, it is very easy to clean the radiator, etc. In addition, the operator can remove and install the aftercooler, radiator and oil cooler in a short time.

### Water separator

This is standard equipment which removes any water that has become mixed with the fuel, preventing fuel system damage.



### Designed and built for strength

Using the latest computer aided design techniques and exhaustive testing, the boom and arm designs have been optimised for strength and durability.

The highly automated manufacturing process uses the very latest equipment and quality control techniques. Critical welding is carried out by robots to ensure an extremely high quality and consistent product.

Precision engineered pin and bush system. The key work equipment joints use a chrome plated pin and bronze bushing system to provide minimal play and extended durability.

# SPECIFICATIONS



## ENGINE

Model .....	Komatsu SAA6D107E-1
Type .....	Common rail direct injection, water-cooled, emissionised, turbocharged, after-cooled diesel
Engine power	
at rated engine speed .....	2.000 rpm
ISO 14396 .....	116 kW/156 HP
ISO 9249 (net engine power) .....	109 kW/146 HP
No. of cylinders .....	6
Bore x stroke .....	107 x 124 mm
Displacement .....	6,69 ltr
Batteries .....	2 x 12 V/120 Ah
Alternator .....	24 V/60 A
Starter motor .....	24 V/5,5 kW
Air filter type .....	Double element type with monitor panel dust indicator and auto dust evacuator
Cooling .....	Suction type cooling fan



## HYDRAULIC SYSTEM

Type .....	HydraMind. Closed-centre system with load sensing and pressure compensation valves
Additional circuits .....	Depending on the specification up to 2 additional proportional control & 1 quick coupler circuits can be installed
Main pump .....	Variable displacement piston pump supplying boom, arm, bucket, swing and travel circuits
Maximum pump flow .....	308 ltr/min
Relief valve settings	
Implement .....	380 bar
Travel .....	380 bar
Swing .....	290 bar
Pilot circuit .....	36 bar



## COOLANT AND LUBRICANT CAPACITY (REFILLING)

Fuel tank .....	325 ltr
Radiator .....	17,6 ltr
Engine oil .....	26 ltr
Swing drive .....	4,5 ltr
Hydraulic tank .....	120 ltr
Transmission .....	4,85 ltr
Front differential .....	11,5 ltr
Rear differential .....	9,5 ltr
Front axle hub .....	2,85 ltr
Rear axle hub .....	2,0 ltr
Swing pinion grease bath amount .....	10,5 ltr



## STEERING SYSTEM

Steering control .....	Hydraulic steering system supplied from a separate gear pump and controlled through LS orbitrol & priority valves.
Minimum turning radius .....	6.800 mm (to center of outer wheel)



## SWING SYSTEM

Type .....	Axial piston motor driving through planetary double reduction gearbox
Swing lock .....	Electrically actuated wet multi-disc brake integrated into swing motor.
Swing speed .....	0 - 11,5 rpm
Swing torque .....	43 kNm



## TRANSMISSION

Type .....	Fully automatic power shift transmission with permanent 4 wheel drive
Travel motors .....	One variable displacement axial piston motor
Maximum pressure .....	380 bar
Travel modes .....	Automatic + 3 travel modes
Max. travel speeds	
Hi / Lo / Creep .....	35,0 / 9,5 / 2,5 km/h
A max. speed restriction of 20 km/h is available as an option.	
Maximum drawbar pull .....	10.500 kg
Front axle load .....	Lower than 7.800 kg
Rear axle load .....	Lower than 10.420 kg
Axle oscillation .....	10° Lockable in any position from the operator cab.



## BRAKE SYSTEM

Type .....	Dual circuit hydraulic braking system supplied from a separate gear pump.
Service brakes .....	Pedal actuated wet multi-disc brakes integrated into the axle hubs.
Parking brake .....	Electrically actuated wet multi-disc "spring actuation hydraulic release" brake integrated into the transmission.



## ENVIRONMENT

Engine emissions .....	Fully complies with EU Stage IIIA and EPA Tier III exhaust emission regulations
Noise levels	
LwA external .....	102 dB(A) (2000/14/EC Stage II)
LpA operator ear .....	72 dB(A) (ISO 6396 dynamic test)
Vibration levels (EN 12096:1997)*	
Hand/arm .....	≤ 2,5 m/s <sup>2</sup> (uncertainty K = 0,91 m/s <sup>2</sup> )
Body .....	≤ 0,5 m/s <sup>2</sup> (uncertainty K = 0,22 m/s <sup>2</sup> )
* for the purpose of risk assessment under directive 2002/44/EC, please refer to ISO/TR 25398:2006.	





## OPERATING WEIGHT (APPR.)

Operating weight, including specified work equipment, 2.600 mm arm, operator, lubricant, coolant, full fuel tank and the standard equipment. Weights are without bucket.

UNDERCARRIAGE ATTACHMENT TYPE	MONO BOOM	TWO-PIECE BOOM
Without stabilizer	16.020 kg	16.250 kg
Rear blade	16.930 kg	17.160 kg
Rear outrigger	17.150 kg	17.380 kg
2 outriggers + blade	17.990 kg	18.220 kg
4 outriggers	18.200 kg	18.440 kg



## BUCKET OPTIONS & DIGGING FORCES

Specifications and equipment may vary according to regional availability.

BUCKET AND ARM COMBINATIONS					
Bucket			Arm length		
Width	Capacity (SAE)	Weight	2.250 mm	2.600 mm	2.900 mm
600 mm	0,38 m <sup>3</sup>	385 kg	○	○	○
700 mm	0,47 m <sup>3</sup>	435 kg	○	○	○
800 mm	0,56 m <sup>3</sup>	465 kg	○	○	○
900 mm	0,66 m <sup>3</sup>	495 kg	○	○	○
1.000 mm	0,75 m <sup>3</sup>	530 kg	○	○	○
1.200 mm	0,94 m <sup>3</sup>	615 kg	○	□	△
1.400 mm	1,13 m <sup>3</sup>	695 kg	△	△	-

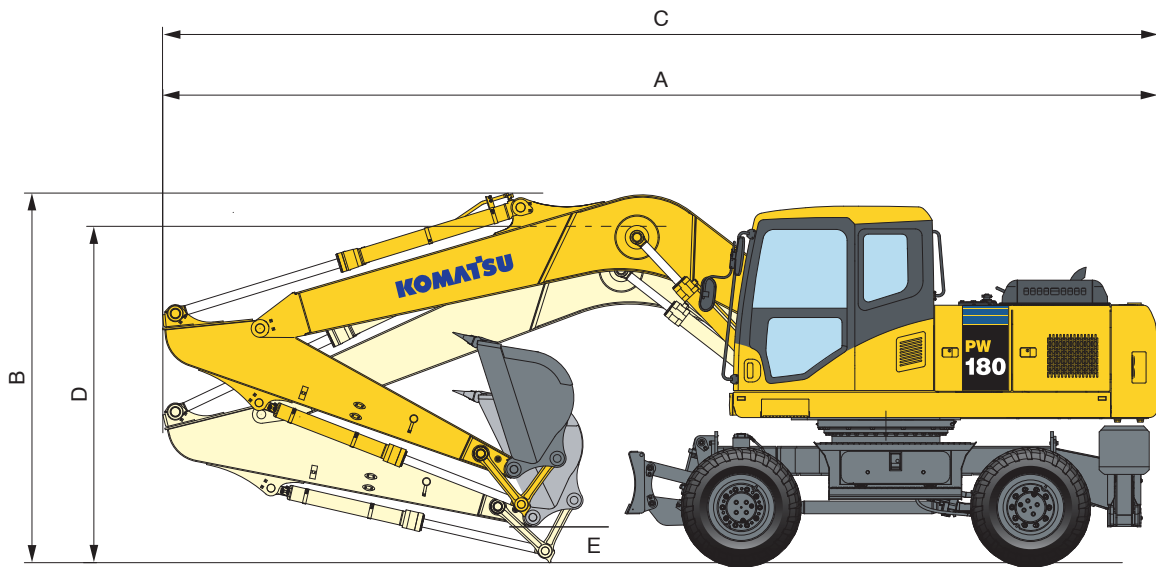
Please consult with your distributor for the correct selection of buckets and attachments to suit the application. The recommendations are given as a guide only, based on typical operating conditions.

- Material weight up to 1,8 t/m<sup>3</sup>
- Material weight up to 1,5 t/m<sup>3</sup>
- △ Material weight up to 1,2 t/m<sup>3</sup>
- Not usable

BUCKET AND ARM FORCE			
Arm length	2.250 mm	2.600 mm	2.900 mm
Bucket digging force	10.200 kg (115 kN)	10.200 kg (115 kN)	10.200 kg (115 kN)
Bucket digging force at PowerMax	12.500 kg (123 kN)	12.500 kg (123 kN)	12.500 kg (123 kN)
Arm crowd force	9.100 kg (89 kN)	8.200 kg (80 kN)	7.600 kg (74 kN)
Arm crowd force at PowerMax	9.700 kg (95 kN)	9.000 kg (88 kN)	8.100 kg (79 kN)

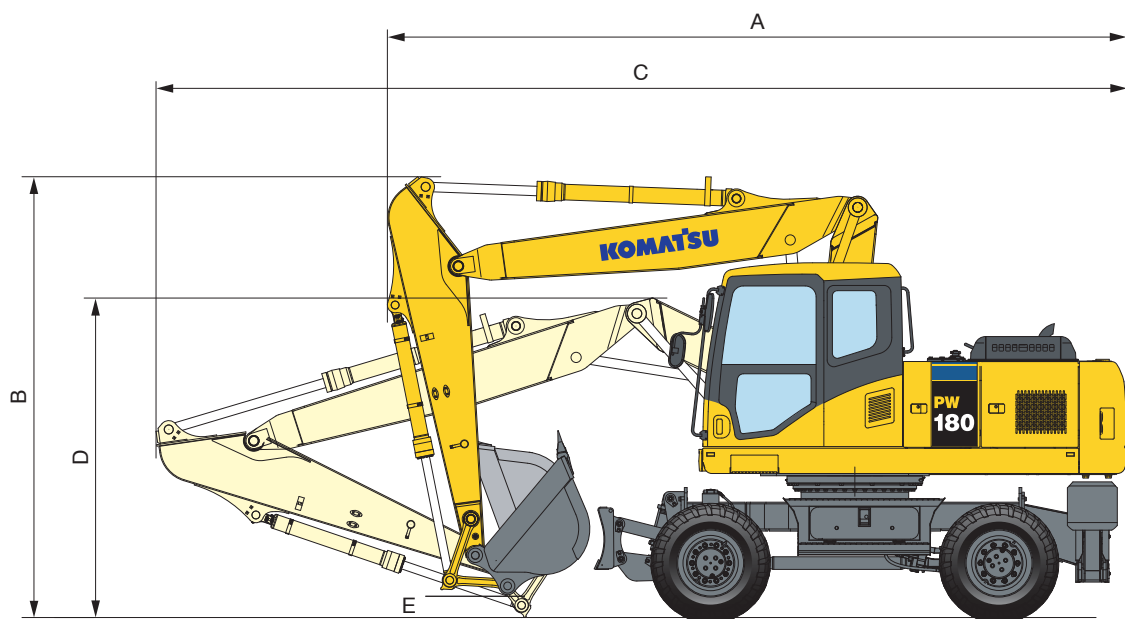
# DIMENSIONS

## MONO BOOM



Arm length	Driving position			Transport position	
	A	B	E	C	D
2.250 mm	8.900 mm	3.720 mm	928 mm	8.957 mm	3.162 mm
2.600 mm	8.900 mm	3.720 mm	800 mm	8.963 mm	3.193 mm
2.900 mm	8.900 mm	3.720 mm	624 mm	8.970 mm	3.290 mm

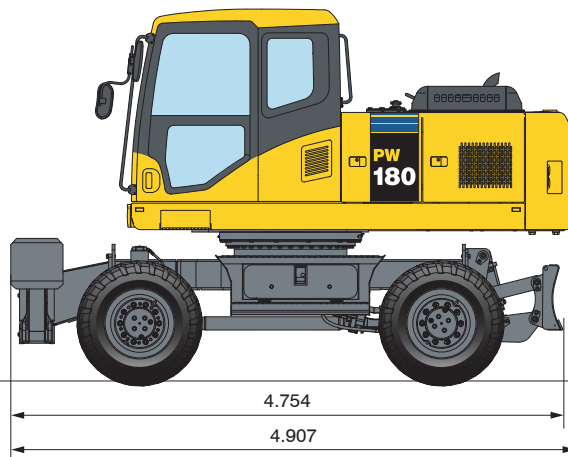
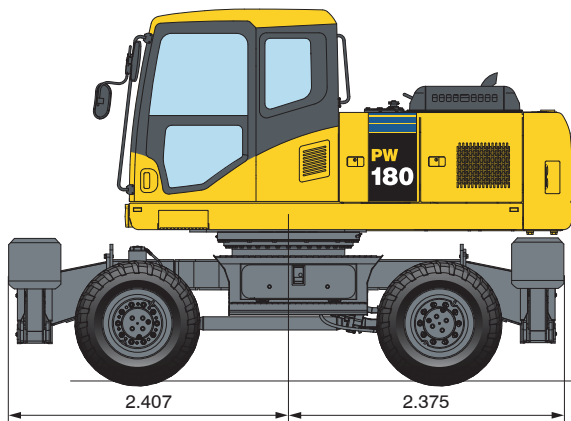
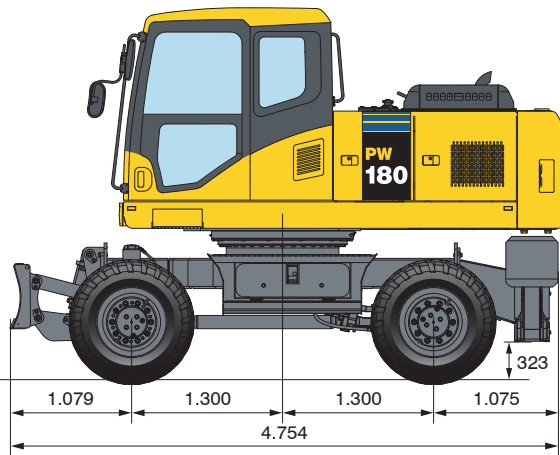
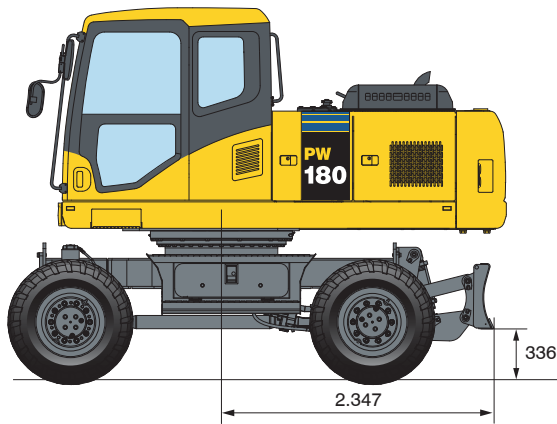
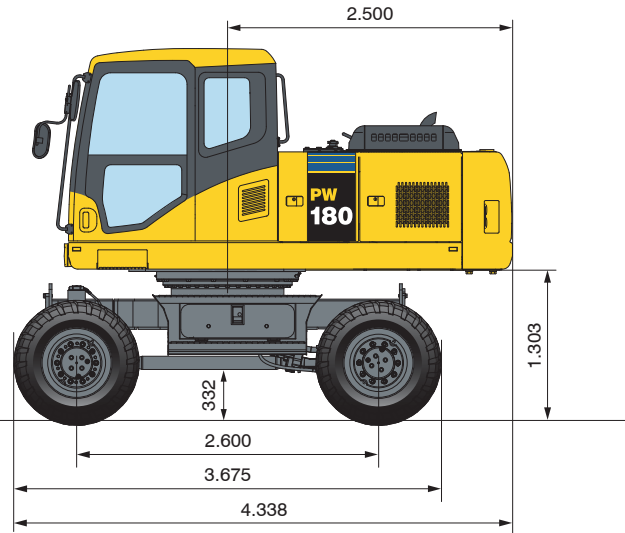
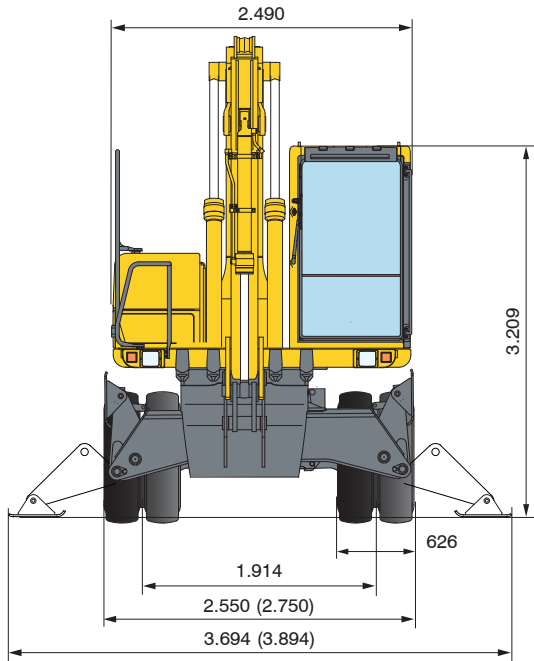
## TWO-PIECE BOOM



Arm length	Driving position			Transport position	
	A	B	E	C	D
2.250 mm	6.794 mm	3.972 mm	551 mm	8.882 mm	3.178 mm
2.600 mm	6.717 mm	3.972 mm	205 mm	8.870 mm	3.273 mm
2.900 mm *	6.850 mm	3.960 mm	368 mm	8.845 mm	3.375 mm

\* Driving position without bucket

# DIMENSIONS & UNDERCARRIAGE

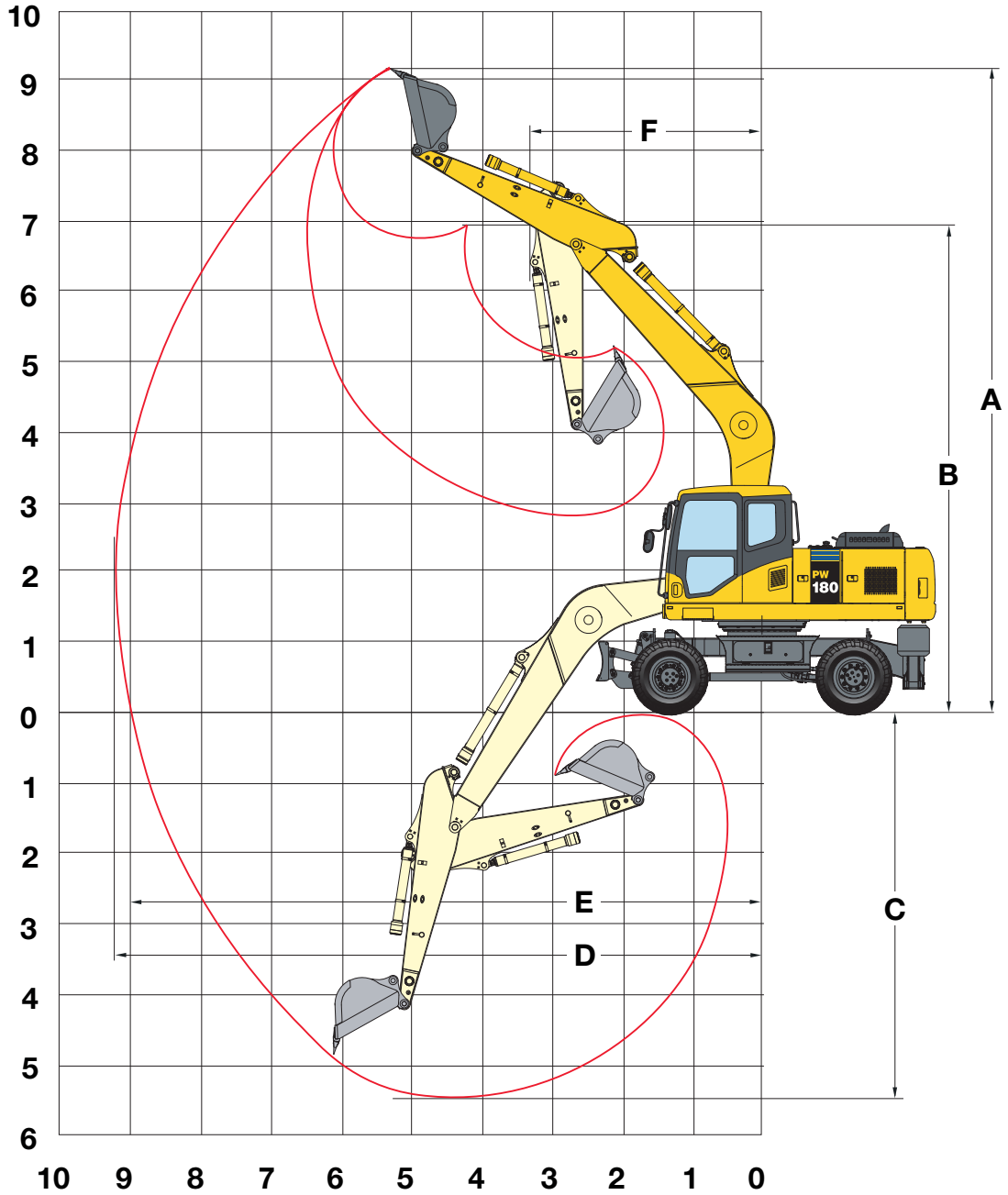


( ): Figures for 2,75 m undercarriage



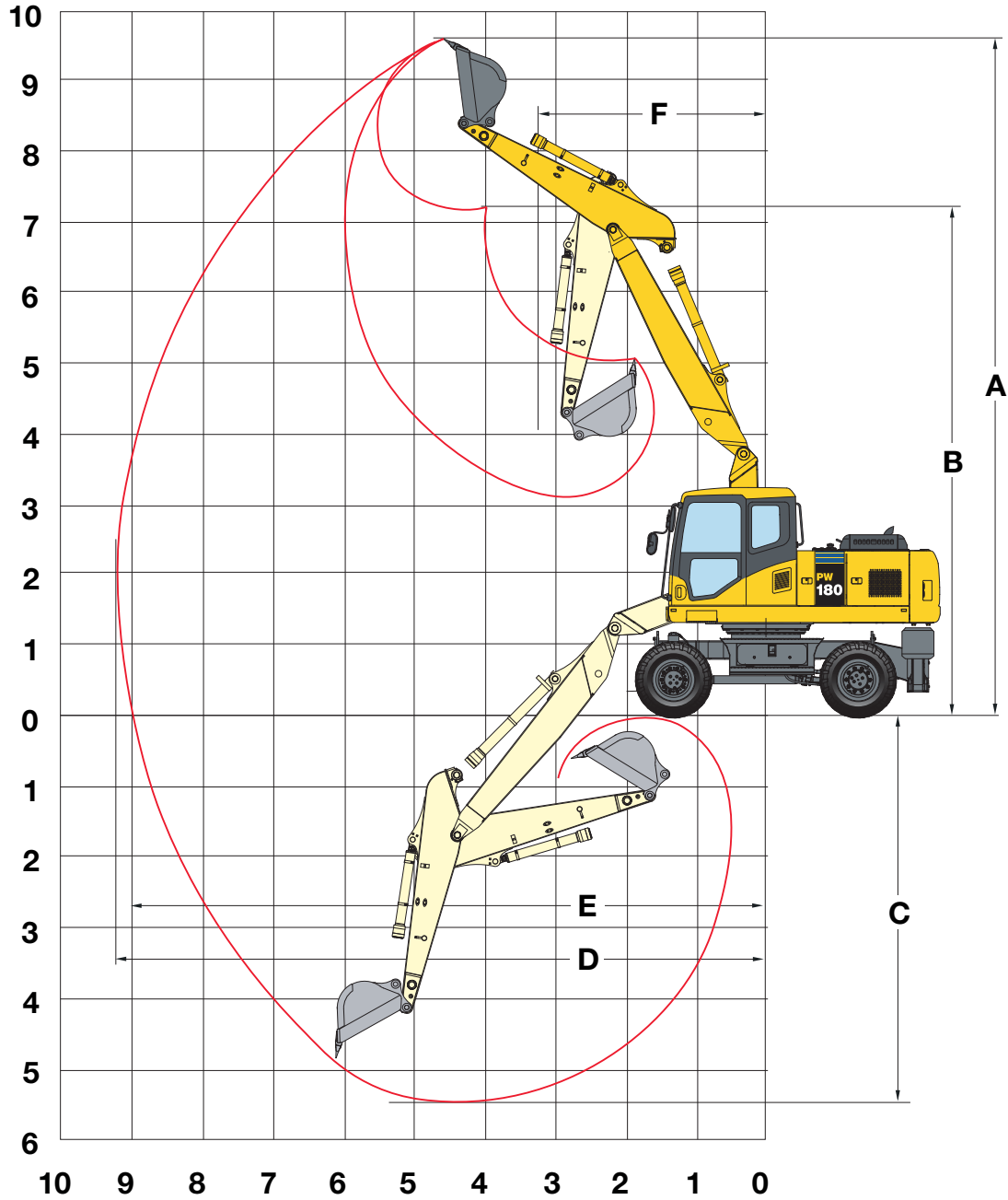
# WORKING RANGE

## MONO BOOM



ARM LENGTH		2.250 mm	2.600 mm	2.900 mm
A	Max. digging height	9.458 mm	9.562 mm	9.756 mm
B	Max. dumping height	6.915 mm	7.064 mm	7.236 mm
C	Max. digging depth	5.321 mm	5.676 mm	5.966 mm
D	Max. digging reach	9.061 mm	9.345 mm	9.929 mm
E	Max. digging reach at ground level	8.876 mm	9.170 mm	9.759 mm
F	Min. swing radius	3.543 mm	3.829 mm	4.057 mm

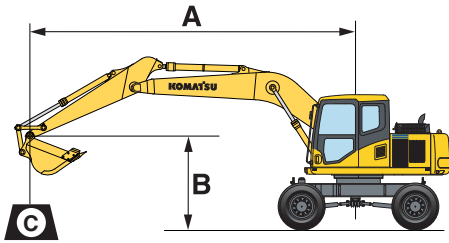
TWO-PIECE BOOM



ARM LENGTH		2.250 mm	2.600 mm	2.900 mm
A	Max. digging height	9.942 mm	10.129 mm	10.350 mm
B	Max. dumping height	7.283 mm	7.489 mm	7.709 mm
C	Max. digging depth	5.400 mm	5.742 mm	6.044 mm
D	Max. digging reach	9.080 mm	9.401 mm	9.683 mm
E	Max. digging reach at ground level	8.907 mm	9.227 mm	9.509 mm
F	Min. swing radius	3.065 mm	3.311 mm	3.511 mm

# LIFTING CAPACITY

## MONO BOOM



Undercarriage width: 2,55 m

- A – Reach from swing centre
- B – Bucket hook height
- C – Lifting capacities, including bucket (550 kg), bucket linkage (122 kg) and bucket cylinder (109 kg)

- Rating over front
- Rating over side
- Rating at maximum reach

When removing bucket, linkage or cylinder, lifting capacities can be increased by their respective weights

\* Load is limited by hydraulic capacity rather than tipping. Ratings are based on SAE Standard No. J1097. Rated loads do not exceed 87% of hydraulic lift capacity or 75% of tipping load.

Arm length	A			7,5 m		6,0 m		4,5 m		3,0 m		1,5 m	

Without stabilizer	B	2,250 mm		2,600 mm		2,900 mm						
		7,5 m kg	*2.700	*2.700								
6,0 m kg	*2.450	1.900			3.500	2.500						
4,5 m kg	2.200	1.450	2.200	1.500	3.400	2.400	5.650	3.950				
3,0 m kg	1.950	1.250	2.150	1.450	3.200	2.200	5.150	3.550				
1,5 m kg	1.850	1.200	2.100	1.350	3.000	2.000	4.700	3.100				
0,0 m kg	1.900	1.200	2.000	1.300	2.850	1.900	4.450	2.900	*4.600	*4.600		
-1,5 m kg	2.100	1.350			2.800	1.850	4.400	2.850	*8.600	5.350		
-3,0 m kg	2.650	1.750			2.900	1.900	4.450	2.900	*7.700	5.550		
-4,5 m kg												
7,5 m kg	*2.200	*2.200										
6,0 m kg	*2.000	1.750			3.550	2.550						
4,5 m kg	*2.000	1.350	2.250	1.550	3.450	2.450	*5.500	4.050				
3,0 m kg	1.800	1.200	2.200	1.450	3.250	2.250	5.250	3.600	10.450	6.700		
1,5 m kg	1.700	1.100	2.100	1.350	3.050	2.050	4.750	3.200				
0,0 m kg	1.750	1.100	2.000	1.300	2.900	1.900	4.450	2.900	*5.300	5.300		
-1,5 m kg	1.950	1.250	2.000	1.250	2.800	1.800	4.350	2.800	*8.350	5.300	*5.150	*5.150
-3,0 m kg	2.400	1.550			2.850	1.850	4.400	2.850	*8.750	5.500		
-4,5 m kg	*2.700	2.450					*3.600	3.000				
7,5 m kg	*1.900	*1.900			2.550	2.500						
6,0 m kg	*1.750	1.550			3.600	2.550						
4,5 m kg	*1.700	1.250	2.250	1.500	3.450	2.450						
3,0 m kg	1.650	1.050	2.150	1.450	3.250	2.250	5.300	3.650	10.700	6.950		
1,5 m kg	1.600	1.000	2.050	1.350	3.000	2.000	4.800	3.200				
0,0 m kg	1.600	1.000	1.950	1.250	2.850	1.850	4.450	2.850	*5.500	5.250		
-1,5 m kg	1.750	1.100	1.900	1.200	2.750	1.750	4.300	2.750	*8.000	5.200	*4.800	*4.800
-3,0 m kg	2.150	1.350			2.750	1.750	4.300	2.750	8.800	5.350	*7.650	*7.650
-4,5 m kg	*2.850	2.050					*4.300	2.950	*5.700	5.650		



Without stabilizer

Front or rear blade	B	2,250 mm		2,600 mm		2,900 mm						
		7,5 m kg	*2.700	*2.700								
6,0 m kg	*2.450	2.250			*4.400	2.900						
4,5 m kg	*2.400	1.750	*2.600	1.800	*5.450	2.800	*6.650	4.600				
3,0 m kg	*2.450	1.550	4.250	1.750	*5.950	2.600	*7.850	4.050				
1,5 m kg	*2.700	1.450	4.150	1.650	6.100	2.450	*8.600	3.650				
0,0 m kg	*3.050	1.500	4.100	1.600	5.900	2.300	*8.650	3.300	*4.600	*4.600		
-1,5 m kg	*3.800	1.650			*5.750	2.250	*7.700	3.250	*8.600	6.550		
-3,0 m kg	*3.600	2.100			*4.200	2.300	*6.000	3.500	*7.700	6.750		
-4,5 m kg												
7,5 m kg	*2.200	*2.200										
6,0 m kg	*2.000	*2.000			*3.950	2.950						
4,5 m kg	*2.000	1.650	*3.150	1.850	*5.000	2.850	*5.450	4.700				
3,0 m kg	*2.050	1.450	4.300	1.750	*5.800	2.650	*7.500	4.150	*12.100	8.000		
1,5 m kg	*2.250	1.350	4.200	1.650	6.150	2.450	*8.500	3.700				
0,0 m kg	*2.600	1.400	4.100	1.600	5.950	2.300	*8.700	3.300	*5.300	*5.300		
-1,5 m kg	*3.200	1.550	4.050	1.550	5.850	2.200	*8.000	3.300	*8.350	6.500	*5.150	*5.150
-3,0 m kg	*3.700	1.900			*4.700	2.250	*6.550	3.450	*8.750	6.700		
-4,5 m kg	*2.700	*2.700					*3.600	*3.600				
7,5 m kg	*1.900	*1.900			2.550	2.550						
6,0 m kg	*1.750	*1.750			*3.650	2.950						
4,5 m kg	*1.700	1.500	*3.250	1.850	*4.450	2.850						
3,0 m kg	*1.800	1.300	4.300	1.750	*5.550	2.650	*7.150	4.200	*11.250	8.250		
1,5 m kg	*1.950	1.250	4.150	1.650	*6.100	2.450	*8.200	3.700				
0,0 m kg	*2.200	1.250	4.050	1.550	5.900	2.250	*8.650	3.300	*5.550	*5.550		
-1,5 m kg	*2.700	1.400	4.000	1.500	5.800	2.150	*8.150	3.200	*8.000	6.400	*4.800	*4.800
-3,0 m kg	*3.600	1.700			*4.950	2.150	*6.850	3.400	*9.450	6.550	*7.650	*7.650
-4,5 m kg	*2.850	2.500					*4.300	3.550	*5.700	*5.700		



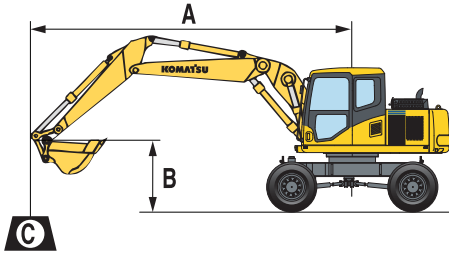
Front or rear blade





# LIFTING CAPACITY

## TWO-PIECE BOOM



Undercarriage width: 2,75 m

- A – Reach from swing centre
- B – Bucket hook height
- C – Lifting capacities, including bucket (550 kg), bucket linkage (122 kg) and bucket cylinder (109 kg)

- Rating over front
- Rating over side
- Rating at maximum reach

When removing bucket, linkage or cylinder, lifting capacities can be increased by their respective weights

\* Load is limited by hydraulic capacity rather than tipping. Ratings are based on SAE Standard No. J1097. Rated loads do not exceed 87% of hydraulic lift capacity or 75% of tipping load.

Arm length	A			7,5 m		6,0 m		4,5 m		3,0 m		1,5 m	

	2,250 mm	7,5 m kg	*2.950	*2.950					*4.800	4.750			
		6,0 m kg	*2.550	2.100			3.500	2.800	*4.800	4.750			
		4,5 m kg	2.150	1.650	2.200	1.750	3.400	2.700	5.650	4.500			
		3,0 m kg	1.900	1.450	2.200	1.700	3.250	2.550	5.200	4.050			
		1,5 m kg	1.850	1.400	2.100	1.600	3.050	2.350	4.750	3.650			
		0,0 m kg	1.900	1.450	2.050	1.550	2.900	2.250	4.500	3.400			
	-1,5 m kg	2.150	1.650			2.850	2.200	4.450	3.400	*7.700	6.500		
	-3,0 m kg												
	-4,5 m kg												
	2,600 mm	7,5 m kg	*2.400	*2.400			*2.550	*2.550					
		6,0 m kg	*2.100	1.900			3.550	2.850					
		4,5 m kg	2.000	1.550	2.250	1.750	3.450	2.750	*4.900	4.600			
3,0 m kg		1.800	1.350	2.200	1.700	3.300	2.600	5.300	4.150				
1,5 m kg		1.700	1.300	2.100	1.600	3.050	2.400	4.800	3.700				
0,0 m kg		1.750	1.350	2.050	1.550	2.900	2.250	4.550	3.450				
-1,5 m kg	1.950	1.500	2.050	1.550	2.850	2.200	4.450	3.350	*7.550	6.450			
-3,0 m kg					2.900	2.200	4.500	3.450					
-4,5 m kg													
2,900 mm	7,5 m kg	*2.050	*2.050			*3.050	2.800						
	6,0 m kg	*1.800	1.750	*2.000	1.750	3.600	2.850						
	4,5 m kg	*1.750	1.400	2.250	1.750	3.500	2.750	*4.100	*4.100				
	3,0 m kg	1.650	1.250	2.200	1.700	3.300	2.600	5.350	4.200				
	1,5 m kg	1.550	1.150	2.100	1.600	3.050	2.350	4.850	3.700				
	0,0 m kg	1.600	1.200	2.000	1.500	2.900	2.200	4.500	3.400	*4.600	*4.600		
-1,5 m kg	1.800	1.350	1.950	1.450	2.800	2.100	4.400	3.300	*7.200	6.300			
-3,0 m kg					2.800	2.150	4.400	3.350					
-4,5 m kg													

	2,250 mm	7,5 m kg	*2.950	*2.950					*4.800	*4.800		
		6,0 m kg	*2.550	2.450			*4.650	3.250	*4.800	*4.800		
		4,5 m kg	*2.450	2.000	*3.100	2.050	*5.350	3.150	*5.900	5.150		
		3,0 m kg	*2.450	1.750	4.350	2.000	*5.733	3.000	*7.518	4.700		
		1,5 m kg	*2.600	1.700	4.250	1.950	6.138	2.800	*8.526	4.300		
		0,0 m kg	*2.850	1.750	3.654	1.900	6.050	2.650	*8.536	4.050		
	-1,5 m kg	*3.400	1.950			*5.850	2.600	*8.000	4.050	*7.700	*7.700	
	-3,0 m kg											
	-4,5 m kg											
	2,600 mm	7,5 m kg	*2.400	*2.400			*2.550	*2.550				
		6,0 m kg	*2.100	*2.100			*4.100	3.300				
		4,5 m kg	*2.050	1.850	*3.500	2.100	*4.800	3.200	*4.900	*4.900		
3,0 m kg		*2.050	1.650	4.350	2.000	*5.537	3.000	*7.178	4.800			
1,5 m kg		*2.200	1.550	4.250	1.950	*6.089	2.800	*8.330	4.350			
0,0 m kg		*2.450	1.600	3.611	1.850	6.050	2.650	*8.585	4.100			
-1,5 m kg	*2.900	1.800	4.150	1.850	5.950	2.600	*8.250	4.000	*7.550	*7.550		
-3,0 m kg					*4.800	2.650	*6.750	4.100				
-4,5 m kg												
2,900 mm	7,5 m kg	*2.050	*2.550			*3.050	*3.050					
	6,0 m kg	*1.800	*1.800	*2.000	*2.000	*3.700	3.300					
	4,5 m kg	*1.750	1.700	*3.500	2.100	*4.250	3.200	*4.100	*4.100			
	3,0 m kg	*1.750	1.500	4.350	2.000	*5.341	3.000	*6.839	4.850			
	1,5 m kg	*1.850	1.450	4.200	1.900	*5.940	2.800	*8.085	4.400			
	0,0 m kg	*2.100	1.450	3.611	1.800	6.000	2.600	*8.488	4.050	*4.600	*4.600	
-1,5 m kg	*2.450	1.600	4.100	1.800	5.900	2.550	*8.350	3.950	*7.200	*7.200		
-3,0 m kg					*5.050	2.550	*7.050	4.000				
-4,5 m kg												

Arm length	A	7,5 m		6,0 m		4,5 m		3,0 m		1,5 m	

Rear outrigger	B	2.250 mm	7,5 m		6,0 m		4,5 m		3,0 m		1,5 m	
7,5 m kg	*2.950	*2.950						*4.800	*4.800			
6,0 m kg	*2.550	*2.550			*4.650	3.750	*4.800	*4.800				
4,5 m kg	*2.450	2.350	*3.100	2.400	*5.350	3.700	*5.900	*5.900				
3,0 m kg	*2.450	2.100	*4.800	2.400	*5.733	3.500	*7.518	5.550				
1,5 m kg	*2.600	2.000	4.750	2.300	*6.188	3.300	*8.526	5.100				
0,0 m kg	*2.850	2.100	4.046	2.250	*6.350	3.150	*8.536	4.900				
-1,5 m kg	*3.400	2.350			*5.850	3.150	*8.000	4.850	*7.700	*7.700		
-3,0 m kg												
-4,5 m kg												
7,5 m kg	*2.400	*2.400			*2.550	*2.550						
6,0 m kg	*2.100	*2.100			*4.100	3.800						
4,5 m kg	*2.050	*2.050	*3.500	2.450	*4.800	3.700	*4.900	*4.900				
3,0 m kg	*2.050	1.950	*4.600	2.400	*5.537	3.550	*7.178	5.650				
1,5 m kg	*2.200	1.900	4.750	2.300	*6.089	3.350	*8.330	5.200				
0,0 m kg	*2.450	1.950	4.046	2.250	*6.350	3.150	*8.585	4.900				
-1,5 m kg	*2.900	2.150	*4.250	2.200	*6.000	3.100	*8.250	4.800	*7.550	*7.550		
-3,0 m kg					*4.800	3.150	*6.750	4.900				
-4,5 m kg												
7,5 m kg	*2.050	*2.050			*3.050	*3.050						
6,0 m kg	*1.800	*1.800	*2.000	*2.000	*3.700	*3.700						
4,5 m kg	*1.750	*1.750	*3.500	2.450	*4.250	3.750	*4.100	*4.100				
3,0 m kg	*1.750	*1.750	*4.350	2.400	*5.341	3.550	*6.839	5.700				
1,5 m kg	*1.850	1.750	4.700	2.250	*6.000	3.300	*8.085	5.200				
0,0 m kg	*2.100	1.800	4.002	2.200	*6.250	3.150	*8.488	4.850	*4.600	*4.600		
-1,5 m kg	*2.450	1.950	*4.400	2.150	*6.050	3.050	*8.350	4.750	*7.200	*7.200		
-3,0 m kg					*5.050	3.050	*7.050	4.800				
-4,5 m kg												



Rear outrigger

Outrigger + blade	B	2.250 mm	7,5 m		6,0 m		4,5 m		3,0 m		1,5 m	
7,5 m kg	*2.950	*2.950						*4.800	*4.800			
6,0 m kg	*2.550	*2.550			*4.650	*4.650	*4.800	*4.800				
4,5 m kg	*2.450	*2.450	*3.100	*3.100	*5.350	4.700	*5.900	*5.900				
3,0 m kg	*2.450	*2.450	4.650	3.100	*5.792	4.500	*7.673	7.200				
1,5 m kg	*2.600	*2.600	4.550	3.000	*6.250	4.300	*8.700	6.700				
0,0 m kg	*2.850	2.750	4.500	2.891	*6.350	3.943	*8.624	5.934				
-1,5 m kg	*3.400	3.050			*5.850	4.100	*8.000	5.952	*7.700	*7.700		
-3,0 m kg												
-4,5 m kg												
7,5 m kg	*2.400	*2.400			*2.550	*2.550						
6,0 m kg	*2.100	*2.100			*4.100	*4.100						
4,5 m kg	*2.050	*2.050	*3.500	3.150	*4.800	4.750	*4.900	*4.900				
3,0 m kg	*2.050	*2.050	*4.600	3.100	*5.594	4.550	*7.326	7.300				
1,5 m kg	*2.200	*2.200	4.600	3.000	*6.150	4.300	*8.500	6.800				
0,0 m kg	*2.450	*2.450	4.500	2.891	*6.350	3.943	*8.673	5.980				
-1,5 m kg	*2.900	2.800	*4.250	2.950	*6.000	4.100	*8.250	5.952	*7.550	*7.550		
-3,0 m kg					*4.800	4.150	*6.750	6.500				
-4,5 m kg												
7,5 m kg	*2.050	*2.050			*3.050	*3.050						
6,0 m kg	*1.800	*1.800	*2.000	*2.000	*3.700	*3.700						
4,5 m kg	*1.750	*1.750	*3.500	3.150	*4.250	*4.250	*4.100	*4.100				
3,0 m kg	*1.750	*1.750	*4.350	3.100	*5.450	4.550	*6.978	*7.050				
1,5 m kg	*1.850	*1.850	4.550	3.000	*6.000	4.300	*8.250	6.800				
0,0 m kg	*2.100	*2.100	4.450	2.842	*6.250	3.895	*8.575	5.934	*4.600	*4.600		
-1,5 m kg	*2.450	*2.450	*4.400	2.850	*6.050	4.050	*8.350	5.906	*7.200	*7.200		
-3,0 m kg					*5.050	4.050	*7.050	6.400				
-4,5 m kg												



Outrigger + blade

Outrigger front + rear	B	2.250 mm	7,5 m		6,0 m		4,5 m		3,0 m		1,5 m	
7,5 m kg	*2.950	*2.950						*4.800	*4.800			
6,0 m kg	*2.550	*2.550			*4.650	*4.650	*4.800	*4.800				
4,5 m kg	*2.450	*2.450	*3.100	*3.100	*5.350	*5.350	*5.900	*5.900				
3,0 m kg	*2.450	*2.450	*4.800	3.800	*5.792	5.500	*7.673	*7.750				
1,5 m kg	*2.600	*2.600	*4.900	3.700	*6.250	5.300	*8.700	8.500				
0,0 m kg	*2.850	*2.850	*4.750	3.577	*6.350	4.893	*8.624	7.544				
-1,5 m kg	*3.400	*3.400			*5.850	5.049	*8.000	*7.440	*7.700	*7.700		
-3,0 m kg												
-4,5 m kg												
7,5 m kg	*2.400	*2.400			*2.550	*2.550						
6,0 m kg	*2.100	*2.100			*4.100	*4.100						
4,5 m kg	*2.050	*2.050	*3.500	*3.500	*4.800	*4.800	*4.900	*4.900				
3,0 m kg	*2.050	*2.050	*4.600	3.800	*5.594	5.550	*7.326	*7.400				
1,5 m kg	*2.200	*2.200	*4.850	3.700	*6.150	5.350	*8.500	*8.500				
0,0 m kg	*2.450	*2.450	*4.800	3.577	*6.350	4.893	*8.673	7.590				
-1,5 m kg	*2.900	*2.900	*4.250	3.650	*6.000	5.100	*8.250	7.580	*7.550	*7.550		
-3,0 m kg					*4.800	*4.800	*6.750	*6.750				
-4,5 m kg												
7,5 m kg	*2.050	*2.050			*3.050	*3.050						
6,0 m kg	*1.800	*1.800	*2.000	*2.000	*3.700	*3.700						
4,5 m kg	*1.750	*1.750	*3.500	*3.500	*4.250	*4.250	*4.100	*4.100				
3,0 m kg	*1.750	*1.750	*4.350	3.800	*5.450	*5.450	*6.980	*7.050				
1,5 m kg	*1.850	*1.850	*4.750	3.700	*6.000	5.300	*8.250	*8.250				
0,0 m kg	*2.100	*2.100	*4.800	3.528	*6.250	4.893	*8.575	7.544	*4.600	*4.600		
-1,5 m kg	*2.450	*2.450	*4.400	3.550	*6.050	5.050	*8.350	7.533	*7.200	*7.200		
-3,0 m kg					*5.050	*5.050	*7.050	*7.050				
-4,5 m kg												



Outrigger front + rear



# HYDRAULIC WHEELED EXCAVATOR

## STANDARD EQUIPMENT

- Komatsu SAA6D107E-1, 116 kW turbocharged common rail direct injection diesel engine, EU Stage IIIA compliant
- Double element type air cleaner with dust indicator and auto dust evacuator
- Suction type cooling fan
- Automatic fuel line de-aeration
- Engine key stop
- Engine ignition can be password secured on request
- Engine overheat prevention system
- Auto-deceleration function
- Automatic engine warm-up system
- Alternator 24 V/60 A
- Batteries 2 × 12 V/120 Ah
- Starter motor 24 V/5,5 kW
- Standard counterweight
- Electronic closed-centre load sensing (E-CLSS) hydraulic system (HydrauMind)
- Pump and engine mutual control (PEMC) system
- Multi-function colour monitor with equipment management monitoring system (EMMS)
- 4-working mode selection system; Power mode, economy mode, breaker mode and lifting mode
- PowerMax function
- Adjustable PPC wrist control levers with 3 button control and proportional attachment control slider for arm, boom, bucket and swing
- Additional hydraulic circuit (HCU-B)
- Fully automatic 3-speed transmission driving through front and rear planetary axles
- Orbitrol type hydraulic steering acting on front wheels
- Oscilating front axle (10°) with automatic and manual cylinder locking
- Dual circuit hydraulic brakes with outboard wet multi-disc service brakes
- Spring actuated park brake (hydraulic release) incorporated into transmission
- SpaceCab™, highly pressurized and tightly sealed viscous mounted cab with tinted safety glass windows, pull-up type front window with locking device, heated rear window, removable lower window, front window wiper with intermittent feature, sun blind roller, magazine rack behind seat, 12 V power supply, cigarette lighter, ashtray, floor mat, machine cab handrails, suspension seat with tiltable left hand console, automatic weight adjustment, adjustable arm rests and retractable seat belt, hot and cool box
- KOMTRAX™ Komatsu Tracking System
- Parts book and operator manual
- Lockable fuel cap and covers
- Fuel supply pump
- Overload warning device
- Boom safety valves
- Climate control/Air conditioning
- Centralised greasing system
- Radio cassette preparation
- Single chassis tool box
- Standard colour scheme and decals
- 2,55 m wide undercarriage

## OPTIONAL EQUIPMENT

- Fixed cab elevation
- Mono boom
- Two-piece boom
- 2,25 m; 2,6 m; 2,9 m arms
- 2,75 m wide undercarriage
- Additional hydraulic circuit (HCU-C)
- Parallel blade (front and/or rear) with dozer blade cylinder guard
- 2 or 4 outriggers with cylinder protection (front and/or rear)
- Four sets of tyre and rim (twin tyre) 10.00-20 16 PR
- Nokian twin tyres 10-20
- Four sets of tyre and rim (single tyre) 18.00-19.5
- Solid tyres 10.00-20 (no road approval, for 2,75 m wide axle only)
- Engine pre-heater (diesel fueled), available with command call
- Sealed alternator
- Clean fix fan (with turning blades for cleaning function)
- Turbo II pre-cleaner
- Poor fuel kit
- Automatic greasing system
- Quick-coupler piping
- Komatsu quick couplers
- Komatsu buckets
- Transmission guard
- Clamshell grip bar
- Adjust cylinder safety valve
- Arm cylinder safety valve
- Heated air suspension seat
- Radio-cassette
- Lower wiper
- OPG Level II front guard (FOPS)
- OPG Level II top guard (FOPS)
- Additional RH boom lamp
- Beacon + rear facing cab lamp
- 1 or 2 additional beacons on counterweight
- Additional large capacity cab roof lights (2)
- Xenon working lights
- Optical back-up alarm (blue or white strobe light)
- Super tone horn (no road approval)
- Back-up alarm (white noise version)
- Bio oil
- Rain visor (not for use with OPG)
- Additional chassis tool box
- Customized paint



**Komatsu Europe International NV**

Mechelsesteenweg 586  
 B-1800 VILVOORDE (BELGIUM)  
 Tel. +32-2-255 24 11  
 Fax +32-2-252 19 81  
 www.komatsu.eu