



NEW  
THINKING.  
NEW  
POSSIBILITIES.

# HD 450

# HD 600 TRACTOR



# For more cost effectiveness in long-distance transport, Ready to take on heavy loads and Designed for perfect business

Hyundai provides greater durability and superior performance with its newly reinforced heavy-duty trucks of responding to customer's needs. The advanced technology of its predecessor formed the basis for the continued development and realization of the extensive technical measures. The Hyundai Heavy Duty Truck features the completeness of the development and implementation of enhanced durability, outstanding performance and better convenience.

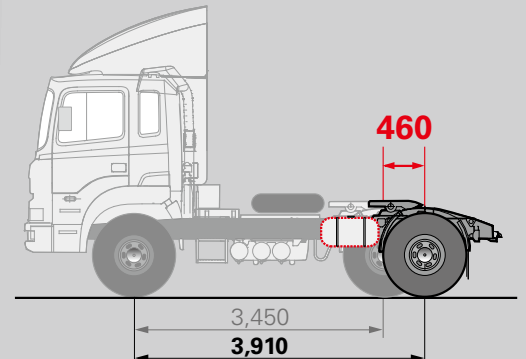


## Outstanding Performance

The new HD 450L, HD 600L tractors are the right choice for customer's needs of low fuel consumption, high payload and maximum vehicle availability in long-distance transport

## Extended wheel base

The new HD450L, HD600L tractors boast a longer wheel base to reduce interference between cab and trailer when cornering as well as applying to various types of trailers, reflecting local customers' needs



## Enhanced Durability

To enhance durability and offer greater loading capacity, Hyundai reinforced the axle and suspension of HD 450L, HD 600L tractors

### Durable Suspension & Frame

Strengthened frame durability guarantees sufficient loading capacity. And increased front/rear spring sheets enhance suspension durability.



### Powerful Hub Reduction Rear Axle

High capacity front /rear axle has a great load-bearing capacity. Hub reduction rear axle with wheel lock system makes it easier to drive in the rough road with 24" wheel and tire.



Hub Reduction 13ton Rear Axle

### 24" Wheel & 12R22.5 Tire

24" radial tires offer longer service life, lower rolling resistance for better fuel economy, quieter performance and greater safety. Hub reduction rear axle with 24" wheel & tire (option)

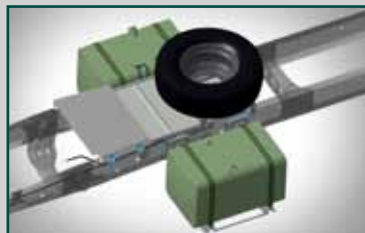


## Better convenience

### Higher Capacity Fuel Tank



400ℓ fuel tank (STD)



800ℓ fuel tank (400ℓ + 400ℓ, OPT)

Larger capacity fuel tank provides better convenience for long-distance transport

## Powerful, Reliable and Cost-effective

With the Hyundai Heavy Duty Truck we have absolutely no doubt that you will be the owner of a vehicle that embodies both excellent performance and impressive cost-effectiveness. But most of all, any engine which you can choose is highly dependable and can be counted on for a long service life.

### EURO III D6CB41 Engine



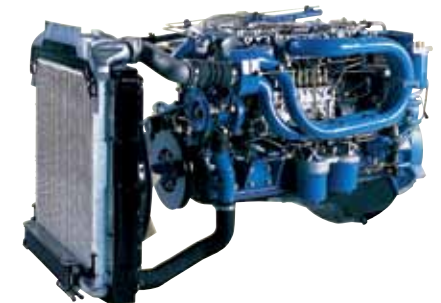
410ps / 1,900rpm

- Displacement : 12,300 cc (TCI)
- Max. Torque : 188 kg.m / 1,200 rpm
- Model : HD600L

### EURO I/II D6AC Engine

340ps / 2,200rpm

- Displacement : 11,149 cc (TCI)
- Max. Torque : 140 kg.m / 1,400 rpm
- Model : HD450L



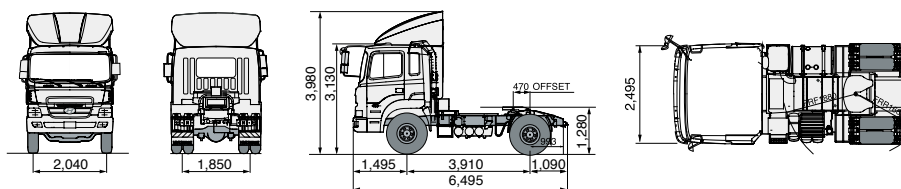
## Specifications

ITEM	MODEL	HD450L	HD600L	
Application Engines		D6AC	D6CA41	D6CB41
<b>Dimensions (mm)</b>				
Wheel Base			3,910	
Overall (C/Cab)	Length		6,495	
	Width		2,495	
	Height		3,130	
Wheel Tread	Front / Rear		2,040 / 1,850	
Overhang	Front / Rear		1,495 / 1,090	
	Type		1 Axle	
Coupler	Capacity(kg)		20,000	
	King Pin Diameter		2 Inch	
	Height(mm)		185	
	Ground Height(mm)		127	
Min. Ground Clearance		250 (24" Tire : 325)		
<b>Weight (kg)</b>				
Empty Vehicle Weight		7,236	7,347	
	Front	4,609	4,741	
	Rear	2,627	2,606	
** Max Gross Vehicle Weight		18,350	21,000	
	Front	6,550	8,000	
	Rear	11,800	13,000	
Max. Gross Combination Weight		45,000	50,000	
** Max. GVW includes the front & rear axle loads based on the permissible tire load.				
<b>Calculated Performance</b>				
Max. Speed	km/h	113	123	
Max. Gradeability	tan θ	0.24	0	
Min. Turning Radius (m)		7.0	6.3	
<b>Engine</b>				
Model		D6AC	D6CA41	D6CB41
Type		Turbo Charger Intercooler 4 stroke-cycle, water-cooled, direct-injection diesel engine		
Number of Cylinder		6 in-line		
Piston Displacement (cc)		11,149	12,900	12,300
Max. Power (ps/rpm)		340/2,200 (Euro 1), 340/2,200 (Euro 2)	410/1,900 (Euro 2)	410/1,900 (Euro 3)
Max. Torque(kg.m/rpm)		140/1,400 (Euro 1), 140/1,200 (Euro 2)	188/1,500 (Euro 2)	188/1,200 (Euro 3)
Electrical System	Battery	12V X 2, 150 AH at 20 Hr rates		
	Alternator	24V-60A	24V-80A	
	Starter	24V-5.5kW	24V-6.0kW	
Fuel System	Injection pump	DPICO in-line type(E1)	Delphi EUI system	
		Bosch in-line type(E2)		
	Governor	All speed type(RLD-J)	Electronic control	
<b>Transmission</b>				
Model		M12S2X5	ZF16S151	
Type		10 forward and 2 reverse speed, 2nd to 10th synchronesh, 1st & reverse constant-mesh gears	16 forward and 2 reverse speed, 1nd to 16th synchronesh, reverse constant-mesh gears	

<b>Rear Axle</b>			
Model	22.5" Tire 24" Tire	D12H -	T19H R190HS, THR20S
Type	Full floating type		
Capacity (kg)		11,800	13,000
Final reduction gear	Type	Single reduction, Hypoid gear (THR20S : Hub reduction)	
	G/Ratio	4.875	3.909(T19H), 4.333(R190HS), 4.248(THR20S)
<b>Front Axle</b>			
Type	Reverse Elliot type "I" beam		
Capacity (kg)		6,550	8,000
<b>Tire &amp; Wheel</b>			
Type	Single Front, Dual Rear		
Tire	Front / Rear	12R22.5-16PR	12R22.5-16PR (12.00R24-20PR : OPT)
Wheel	Front / Rear	8.25 x 22.5-16S	8.25 x 22.5-16S (8.5V x 24 : OPT)
<b>Brake</b>			
Service brake	Actuation		Full Air, Dual circuit fixed S cam with spring loaded chambers
	Size(mm)	Front	Drum diameter x Lining width x Lining thickness : Ø410 x 156 x 19
		Rear	Drum diameter x Lining width x Lining thickness : Ø410 x 220 x 19
	Total ling area		6,081cm <sup>2</sup>
Exhaust brake	Air operated, butterfly valve type		
<b>Suspension</b>			
Type	Front	Multi Leaf (Taper : OPT)	Taper Leaf (Multi : OPT, 24" Tire : Multi)
	Rear	Multi Leaf	
Spring Size (LengthxWidthxThickness- Number of leaves)	Front	1,500x90x13t-7, 1,500x90x20t-3 (OPT)	1,500x90x20t-3 (1,500x90x13t-7, 24" Tire : 1,500x90x13t-8)
	Rear	Main Helper	1,600x90x13t-8 (24" Tire : 1,600x90x13t-10) 1,000x90x10t-11 1,000x90x10t-12 (24" Tire : 1,000x90x12t-9)
Shock absorber	Hydraulic double acting telescopic type on the front		Hydraulic double acting telescopic type on the front & rear (24" tire : Hydraulic double acting telescopic type on the front)
<b>Fuel tank</b>			
Capacity	400 liter (steel), 500 liter (al), 800 liter(steel, 400+400)		
Material			
<b>Frame</b>			
Main section side rail dimension (mm)	Depth x Flange x Thickness : 302 x 90 x 8t		

### Annotations

- 1) Empty vehicle weight and curb weight shown are to 3.5% variation to allow for production tolerance.
- 2) Empty vehicle weight and curb weight include weight of oil, fuel, coolant and spare tire carrier & bracket, spare tire but exclude standard tool set.
- 3) The vehicle specifications may differ per country.
- 4) Hyundai motor company reserves the right to alter the specifications, equipment or options or discontinue the models at any time without prior notice.



## NEW THINKING. NEW POSSIBILITIES.

People's expectation toward individual mobility requires more than just a convenient means of transportation. The old understanding of cars has become outdated. A car represents individuals' lifestyles, and it became an integral part of their lives. At the same time, the automobile industry has experienced seismic change. Hyundai Motor Company has grown rapidly to become one of the largest automakers, backed by world class production capability and superior quality. We have now reached a point where we need a qualitative approach to bring bigger ideas and relevant solutions to our customers.

This is an opportunity to move forward and we have developed a new brand slogan that encapsulates our willingness to take a big leap. Led by our new slogan and the new thinking underlying it, we will become a company that keeps challenging itself to unlock new possibilities for people and the planet.

**Hyundai Motor Company**  
www.hyundai.com

GEN. LHD 1106 ENG. WD-SW

Copyright © 2011 Hyundai Motor Company. All Rights Reserved.