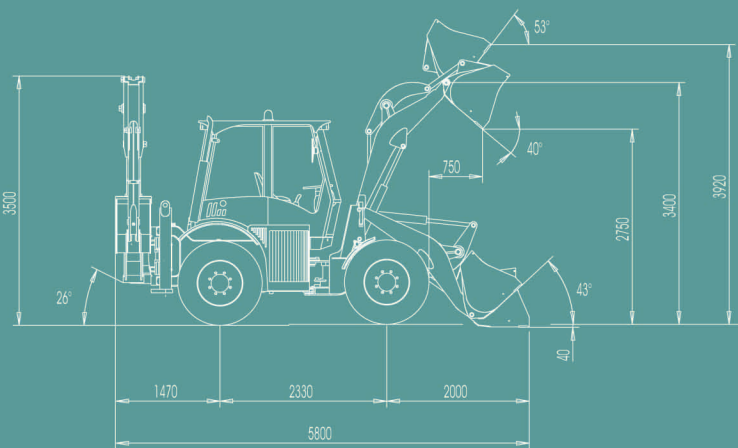
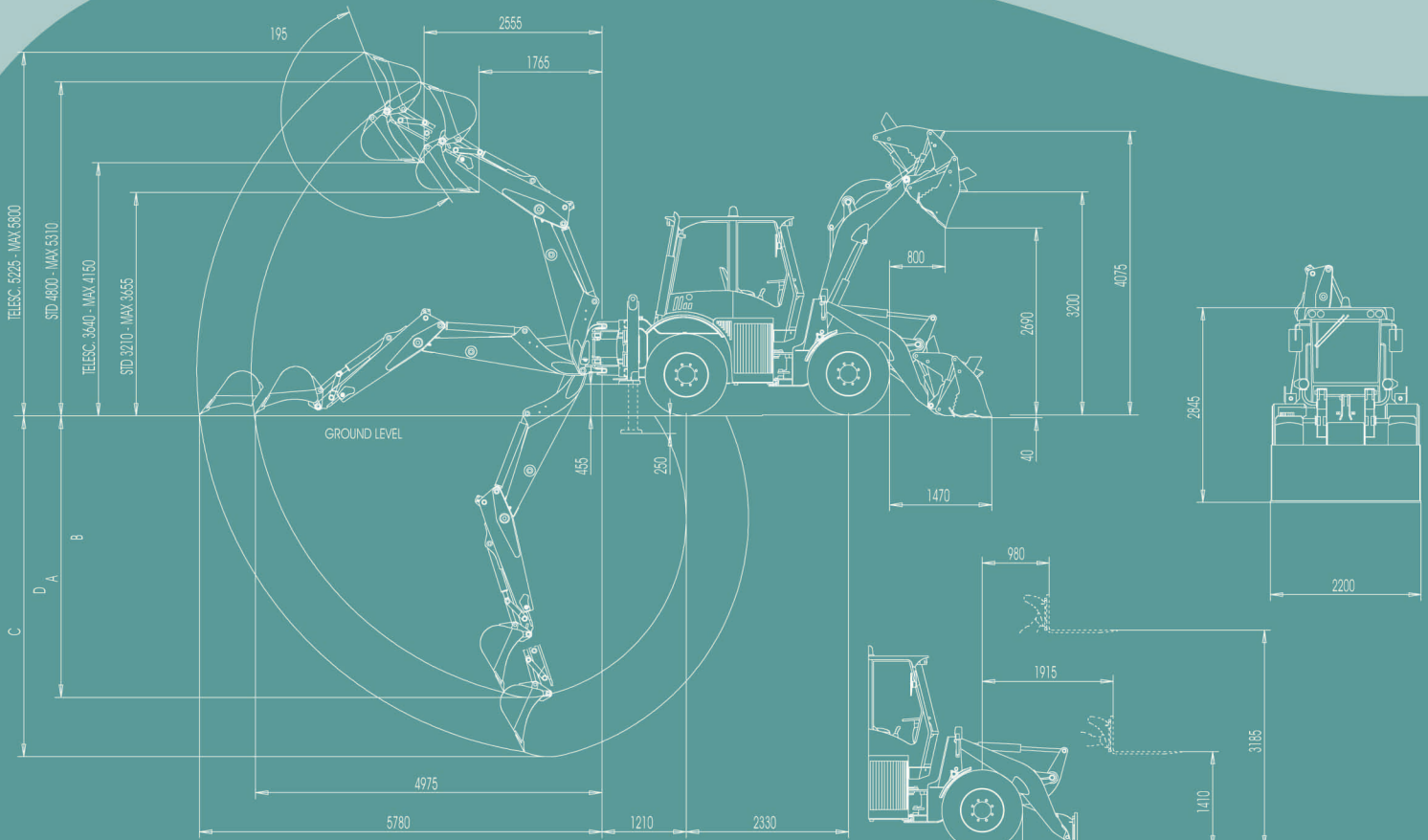


8.23"

- Max power 105 CV
- Bucket capacity 1.1-1.4 m³
- Max digging depth 4.50 m (5.40 m)
- Max operative weight 7600 kg
- Hydrostatic transmission
- 4 wheel drive



Venieri
articulated
backhoe loader



Loading bucket (kg)	
Static tipping load, full turn	4850
Payload (50%)	2425

Loading fork (kg) - centre of gravity 500 mm	
Static tipping load, full turn	3800
Payload EN 474-3 (80%)	3000
Payload EN 474-3 (60%)	2300
Payload DIN 24094 (50%)	1900

> ENGINE

Engine: 4 cylinder, turbo-charged, direct injection diesel engine, water-cooled, paper dry filter.

Emissioned according to CEE 97/68 stage 2

Type	Perkins 1104C-44T
Max power	77 kW - 105CV
Reted rpm	2200
Net power DIN 70020/6271	69 kW -94CV
Net power EEC/80/1269	69 kW-94 CV
Bore mm	105
Stroke mm	127
Displacement cm ³	4400

> ELECTRIC SYSTEM

Battery	12 Volt
Capacity EN 60095-1	100 Ah - 1080 A
Alternator rating	65 A
Reverse warning	Standard
Wiring according with	IP 67 - DIN 40050

> TRANSMISSION

Hydrostatic transmission with automatic power regulation and closed circuit with variable displacement pump and motor. Gearbox with two mechanical selection: two work speeds (fwd/rev) and two road speeds (fwd/rev). Automatic gear shift for travelling.

	forward	reverse
work speed		
1st gear km/h	0÷6	0÷6
2nd gear km/h	0÷12	0÷12
road speed		
1st gear km/h	0÷18	0÷18
2nd gear km/h	0÷38	0÷38

> AXLES

CARRARO axles designed for heavy duties. All-wheel drive. Planetary final drives in each wheel

Front axle: rigid

Rear axle: oscillating up to a total angle of 20° with "Limited Slip" differential.

Hydraulic locking device on rear oscillating axle.

> BRAKE SYSTEM

Service: multi-disc oil brakes on rear axle working on all the wheels.

Parking: mechanical brake operating on the transmission shaft manually actuated.

> TYRES

Standard: 16/70 - 24

Option: 15-22.5 405/70 R 24

> STEERING

Central articulated frame with servo-assisted through Danfoss OSPC 315 hydraulic LOAD SENSING steering unit.

Steering angle	80°
Inner tyres turning radius	mm 2500
Outer tyres turning radius	mm 4600
Outer bucket turning radius	mm 5100

> HYDRAULIC SYSTEM

Two hydraulic gear pumps, the first controls the shovel-excavator circuit and the second controls the power steering.

"Combined flow" circuit for feeding the rear control valve.

Modular two-element control valve for the loader, modular six-element control valve for the backhoe.

Double acting hydraulic cylinder.

Hydraulic oil cooling radiator.

Full-flow oil filter on the leakage pipe.

Max flow	lt/1'	120
Loader relief valve pressure	bar	230
Steering relief valve pressure	bar	175
Lift cylinders	mm	80x586
Bucket cylinder	mm	90x425
Cycle time	sec	8,6

Loader control

Single lever arm-control with 4-position lifting system and with 3-position bucket system

Backhoe control

Two levers backhoe-control, "cloche" type.

Two hydraulic-control independent stabilizers.

Side translation with four hydraulic locking devices.

> SERVICE CAPACITIES

Engine	kg.	9
Gearbox	kg.	1
Differential	kg.	3,5
Planetary gear	kg.	1,5
Hydraulic circuit	kg.	110
Brake system	kg.	0,6
Fuel	lt.	95
Water cooling	lt.	19

> TECHNICAL FEATURES

Loader:

Standard bucket capacity	m ³	1,10
Bucket width	mm	2200
Breakout force	kg.	6900
Dump clearance	mm	3400
Dump height at 40°	mm	2750
Reach at 40°	mm	800

Backhoe:

Type	VF	4.25
Standard bucket capacity	lt	150
Standard bucket width	mm	500
Dipperstick max penetration capacity	kg	2550
Max.breakout force on the bucket tip	kg	4560
Lifting capacity on the bucket pin up to max height	kg	1400
Rotation		180°
A - Max.digging depth	mm	4500
B - Standard digging depth (SAE)	mm	4200
C - Max. digging depth with telescopic (opt)	mm	5400
D - Standard digging depth (SAE) with telescopic (opt)	mm	5100

Dimensions and weights:

Max. lenght in transfer position	mm	5900
Max. width in transfer position	mm	2200
Width across tyres	mm	2060
Tracks width	mm	1650
Ground clearance	mm	320
Standard weight in running order	kg	7200
Max. weight in running order	kg	7600

8.23_n

www.vf-venieri.com

VF Venieri S.p.A.

Via Piratello, 106 - 48022 LUGO (RA) ITALY
Tel. +39 0545 904411 Fax +39 0545 30389
SPARE PARTS Tel. +39 0545 904429 Fax +39 0545 24555