

# KOMATSU®

## WA320-5

**FLYWHEEL HORSEPOWER**

124 kW 166 HP @ 2000 rpm

**OPERATING WEIGHT**

13520 – 13710 kg

29,806 – 30,225 lb

**BUCKET CAPACITY**

2.3–3.2 m<sup>3</sup> 3.0–4.2 yd<sup>3</sup>



**WA  
320**

W  
H  
E  
E  
L  
L  
O  
A  
D  
E  
R



Photo may include optional equipment.

# WALK-AROUND

NET HORSEPOWER  
124 kW 166 HP @ 2000 rpm

OPERATING WEIGHT  
13520 – 13710 kg  
29,806 – 30,225 lb

BUCKET CAPACITY  
2.3 – 3.2 m<sup>3</sup>  
3.0 – 4.2 yd<sup>3</sup>

**Komatsu-integrated design** offers the best value, reliability, and versatility. Hydraulics, powertrain, frame, and all other major components are engineered by Komatsu. You get a machine whose components are designed to work together for higher production, greater reliability, and more versatility.

**Reduced operator noise**  
to 70 dB(A)

**Expanded main monitor**  
and troubleshooting display

Powerful yet efficient Komatsu SAA6D102E-2 **emissionized engine**



**4-Piece** sealing with buffer ring in hydraulic cylinders

**Larger cab**  
with new layout design

**Full side opening**  
gull-wing engine doors

**New tilt** steering column

**Easy-to-operate loader control lever**  
using PPC (Proportional Pressure Control)

**Radial Sealed**  
air cleaner



**Swing-out hydraulic radiator fan**

**Side-by-side type coolers**  
for easy access and cleaning

**Overrun protection system**

**Ground level servicing**  
and fluid checks

**Extremely low fuel consumption**

**Flat face "O-Ring" Hydraulic Seals**  
for extended life

**Large breakout force**

**Extended service intervals**

**Maintenance-free** fully hydraulic wet-disc service and parking brakes

**Electronically controlled Hydrostatic Transmission (HST)** with variable shift control system

**Staircase-type steps**  
with large rear-hinged doors

**Sealed DT electrical connectors**

**Traction control system**

Photos may include optional equipment.



# PRODUCTIVITY FEATURES

## High Productivity and Low Fuel Consumption

### Powerful Engine

A powerful SAA6D102E-2 turbocharged air-to-air after-cooled diesel engine provides an output of **124 kW** 166 HP for the WA320-5.

### Low Fuel Consumption

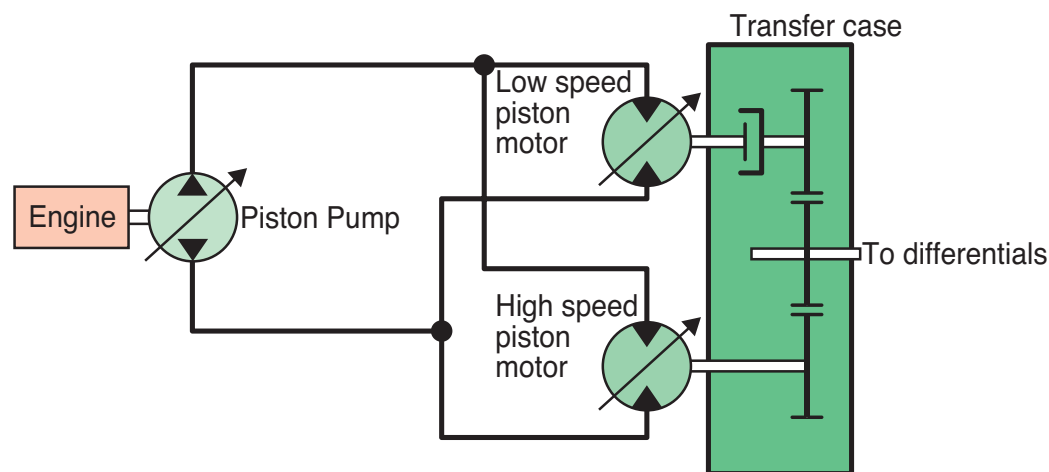
The fuel consumption is reduced up to 15% \*due to the high-torque engine and Hydrostatic Transmission (HST) with maximum efficiency in the low-speed range.

\*V-shape loading (25 sec. cycle time)

### Electronically-Controlled HST Using a 1-Pump, 2-Motor System

- The 1-pump, 2-motor system allows for high-efficiency and high tractive effort. Engine power is transmitted hydraulically to a transfer case, then manually out to the differentials and out to the four driving wheels.
- HST provides quick travel response and aggressive drive into the pile. The variable displacement system automatically adjusts to the tractive effort demand to provide maximum power and efficiency.
- Full auto-shifting eliminates any gear shifting and kick-down operation to allow the operator to concentrate on digging and loading.

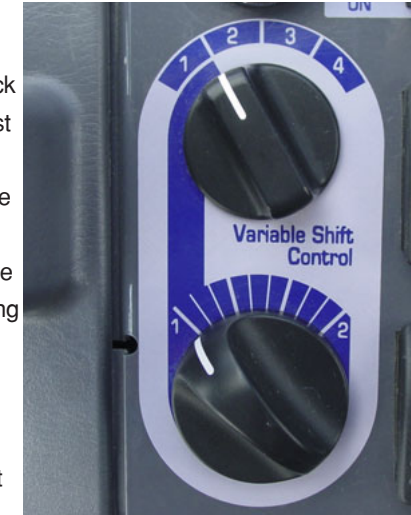
- When high drive torque is needed for digging, climbing or initiating movement, the pump feeds both motors. This combination makes the loader very aggressive and quick.
- Under deceleration, the HST system acts as a dynamic brake on the mechanical drive system. The dynamic brake can hold the loader in position on most workable slopes. This can be an advantage in stockpiling and ramp loading.
- As the machine moves and gains ground speed, the torque demand decreases and the low speed motor is effectively removed from the drive system by a clutch. At this point, the flow is going to the high-speed motor and the low-speed motor is not causing a drag on the system.
- An inching pedal gives the operator excellent simultaneous control of his travel and equipment hydraulic speeds. By depressing the inching pedal, drive pump flow to the motors will decrease, reducing ground speed and allowing the operator to use his accelerator to increase flow to his equipment hydraulics. Depressing the inching pedal further will activate the service brakes.



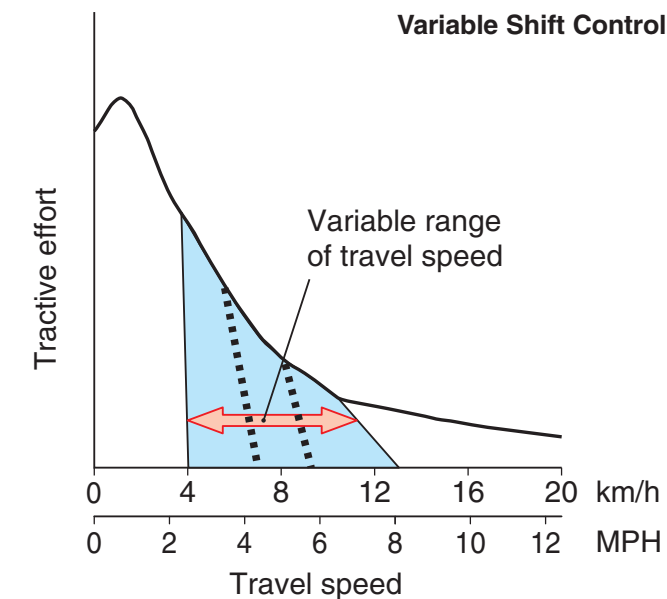
### Electronically-Controlled HST with Variable Shift Control System

The operator can choose between first, second, third or fourth maximum speeds by dialing the speed range selector switch.

For v-cycles, the operator can set the speed control switch to 1 or 2, which will give him aggressive digging, quick response and fast hydraulics. For load and carry, he can select 3 or 4 which will still give aggressive digging but with much faster travel speed.



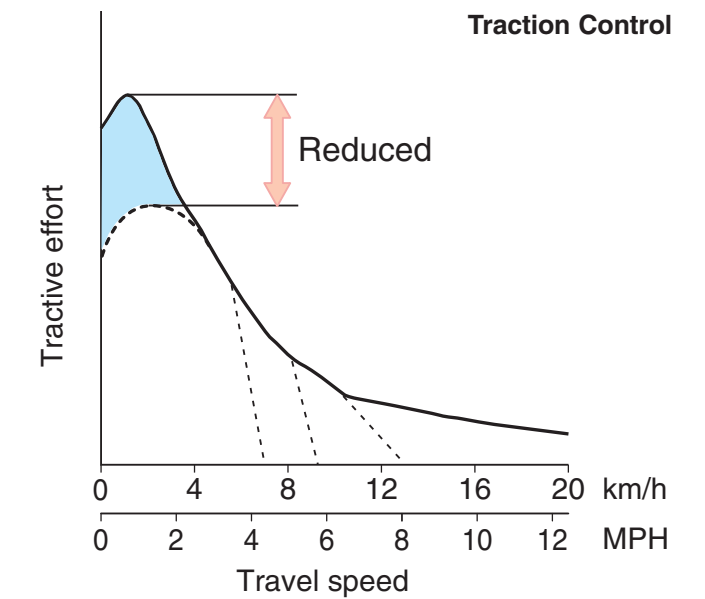
The variable shift switch allows the operator to adjust his machine speed in confined v-loading applications. When in 1, the operator can adjust his travel speed using the variable shift switch to match his machine speed and hydraulics to the distance he must travel.



### Traction Control System

In limited traction situations where the operator would like to avoid tire slippage (such as sandy or wet surface operations), he can automatically reduce slippage by activating the traction control feature. Putting the traction control switch in the "ON" position limits the maximum amount of tractive effort.

Traction control will be an advantage in certain applications such as transfer stations where the loader may be working on slippery concrete.



# INCREASED RELIABILITY AND SERVICEABILITY

## Main Monitor - EMMS (Equipment Management Monitoring System)

Komatsu's new main monitor keeps the operator informed of all machine functions at a glance. The monitor is located behind the steering wheel and displays various different machine functions including fluid/filter change intervals and troubleshooting memory display functions. The main gauges are analog type for easy viewing and other functions utilize light symbols or LCD readouts.



## Swing-Out Radiator

The new Komatsu cooling system is isolated from the engine to provide more efficient cooling and low noise. The swing-out hydraulic fan allows the operator to quickly clean out the cooling system.



The radiator, air-to-air cooler and oil cooler are mounted side-by-side for more efficient cooling and easy cleaning. A fully-opening, gas spring assisted rear grill gives the operator excellent access to the swing-out fan and coolers.

## Full Side-Opening Gull-Wing Engine Doors

Ground level engine service and daily service checks are made easy with the gas spring assisted full side opening gull-wing doors.



## Extended Service Interval

**Extended engine oil service interval:**

250 H → 500 H

**Extended drive shaft greasing interval:**

1,000 H → 4,000 H



## Overrun Prevention System

When the machine descends a slope of six degrees or less, maximum travel speed is automatically restricted to approximately **42 km/h 26 MPH**, for safety protection against damage of power train components and brakes by sensing the travel speed and controlling the discharge amount of the HST pump and motor. When the machine descends a steep slope and the travel speed reaches **40 km/h 25 MPH**, the caution lamp lights up to inform the operator to reduce the travel speed.

Note: When the machine descends a steep slope, the use of the service brake is necessary to limit travel speed.

## Fully Hydraulic Wet Multi-disc Service Brakes

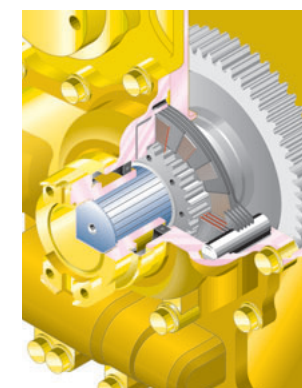
The dual wet disc brakes at each wheel are fully sealed and adjustment free to reduce contamination, wear and maintenance. The result is lower maintenance costs and higher reliability.

Added dependability is designed into the braking system by the use of two independent hydraulic circuits, providing hydraulic backup should one of the circuits fail.

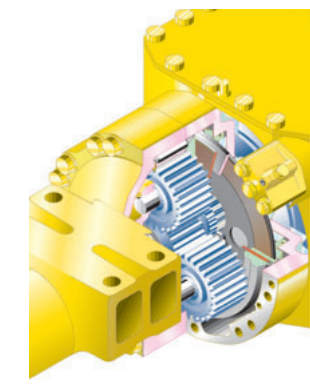
If the brake oil pressure drops, the warning lamp flashes and the warning buzzer sounds intermittently.

The parking brake is mechanically controlled by a lever in the cab.

### Parking Brake

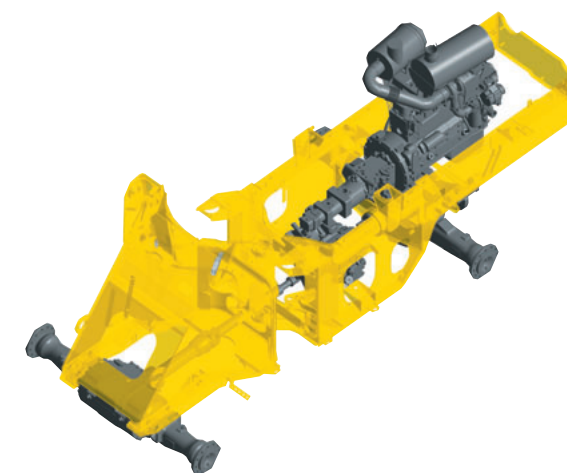


### Service Brakes



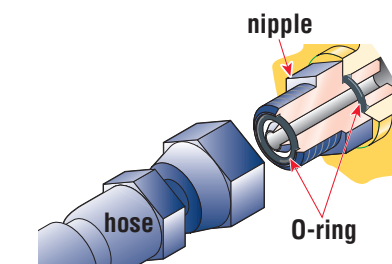
## High-rigidity Frames

The front and rear frames along with the loader linkage have high rigidity to withstand repeated twisting and bending loads to the loader body and linkage. Both the upper and lower center pivot bearings use tapered roller bearings for increased durability. The structure is similar to those of large sized loaders and the reinforced loader linkage ensures high strength.



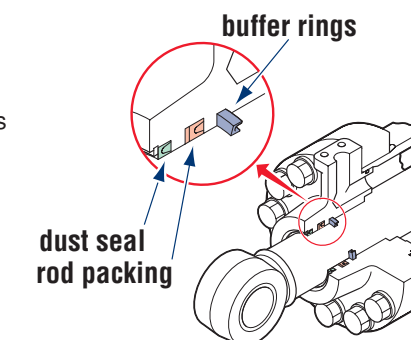
## Flat Face-to-Face O-Ring Seals

Flat face-to-face O-ring seals are used to securely seal all hydraulic hose connections and to prevent oil leakage.



## Cylinder Buffer Rings

Buffer rings are installed to the head-side of the hydraulic cylinders to lower the load on the rod seals, prolonging cylinder life by 30% and maximizing overall reliability.



## Cathion Electrodeposition Primer Paint/Powder Coating Final Paint

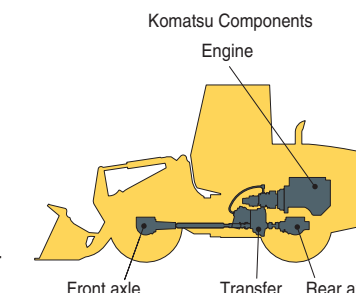
Cathion electrodeposition paint is applied as a primer paint and powder coating is applied as a topcoat to the exterior metal sheet parts. This process results in a durable rust-free machine, even in the most severe environments. Some external parts are made of plastic to provide long life and high impact resistance.

## Sealed DT Connectors

Main harnesses and controller connectors are equipped with sealed DT connectors providing high reliability and dust and corrosion resistance.

## Komatsu Components

Komatsu manufactures the engine, transfer case, differentials and electric parts on this wheel loader. Komatsu loaders are manufactured with an integrated production system under a strict quality control system.





# OPERATOR COMFORT

## New Cab Layout

Komatsu's new cab layout provides the operator with a roomy, quiet and efficient work environment. The low noise level inside the cab leads the industry at 70 dB(A) and loader controls are ergonomically designed to reduce operator fatigue and increase productivity.

## Two Door Walk-Through Cab

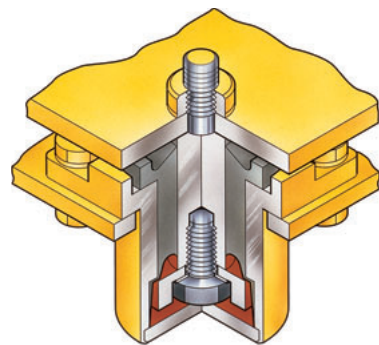
Entry and exit into the new Komatsu cab starts with sloped staircase type steps and large diameter handrails for added safety and comfort. The large cab doors are rear-hinged to open 130 degrees offering easy entry/exit and will not hamper visibility when operating the machine with the doors latched open. A wide pillar-less flat glass provides for excellent visibility. The wiper arm covers a large area to provide great visibility even on rainy days.



## Low-noise Design

Operator noise: 70 dB(A)

The large cab is mounted with Komatsu's unique ROPS/FOPS viscous mounts. The low-noise engine, hydraulically driven fan, and hydraulic pumps are mounted with rubber cushions, and the cab sealing is improved to provide a quiet, low-vibration, and comfortable operating environment. Pressurization in the cab keeps dirt out further enhancing the operator's comfort.



## Easy-to-operate Loader Control lever

A new lever using PPC (Proportional Pressure Control) allows the operator to easily operate the work equipment, to reduce operator fatigue and to increase controllability. The adjustable wrist rest provides the operator with a variety of comfortable operating positions.



## Electrically Controlled Directional Lever

The operator can change direction with a touch of his fingers without removing his hand from the steering wheel. Solid state electronics makes this possible.



## Tilttable Steering Column

The operator can tilt the steering column to allow maximum comfort and control. The two-spoke steering wheel allows maximum visibility of the monitor panel and forward work environment.



## Comforts of Home

The large cab allows room for a large lunch box holder, a variety of cup holders and a hot/cold box storage area. Optional air conditioning and the optional AM/FM stereo cassette system create a comfortable and controlled work environment.





# SPECIFICATIONS

## ENGINE

Model ..... Komatsu SAA6D102E-2  
 Type ..... Water-cooled, 4-cycle  
 Aspiration ..... Turbocharged, and air-to-air aftercooled  
 Number of cylinders ..... 6  
 Bore x stroke ..... 102 mm x 120 mm 4.02" x 4.72"  
 Piston displacement ..... 5.88 ltr 359 in<sup>3</sup>  
 Governor ..... Mechanical, all-speed control  
 Flywheel horsepower ..... 124 kW 166 HP (SAE J1349)  
 124 kW 168 PS (DIN 6270)  
 Rated rpm ..... 2000 rpm

Fuel system ..... Direct injection  
 Lubrication system  
 Method ..... Gear pump, force-lubrication  
 Filter ..... Full-flow  
 Air cleaner ..... Dry-type with double radial-sealed elements and dust evacuator, plus dust indicator

## TRANSMISSION

Transmission ..... Hydrostatic, 1 pump, 2 motors with speed range select

Travel Speed*	Forward		Reverse	
1st**	4.0 - 13.0 km/h	2.5 - 8.1 mph	4.0 - 13.0 km/h	2.5 - 8.1 mph
2nd	13.0 km/h	8.1 mph	13.0 km/h	8.1 mph
3rd	18.0 km/h	11.2 mph	18.0 km/h	11.2 mph
4th	38.0 km/h	23.6 mph	38.0 km/h	23.6 mph

\*Measured with 20.5 - 25 (L3) tires  
 \*\*1st speed can be set variably

## AXLES AND FINAL DRIVES

Drive system ..... Four-wheel drive  
 Front ..... Fixed, semi-floating  
 Rear ..... Center-pin support, semi-floating  
 30° total oscillation  
 Reduction gear ..... Spiral bevel gear  
 Differential gear ..... Torque proportioning  
 Final reduction gear ..... Planetary gear, single reduction

## BRAKES

**Service brakes:** Hydraulically-actuated, wet disc brakes actuate on four wheels.

**Parking brake:** Wet, multi-disc brake on transfer output shaft.

**Emergency brake:** Parking brake is commonly used.

## STEERING SYSTEM

Type ..... Full-hydraulic power steering independent of engine rpm  
 Steering angle ..... 40° each direction  
 Minimum turning radius at the center of outside tire ..... 5160 mm 16'11"

## BUCKET CONTROLS

The use of a PPC hydraulic control valve offers lighter operating effort for the work equipment control levers. The reduction in the lever effort and travel makes it easy to operate in the work environment.

### Control positions

Boom ..... Raise, hold, lower, and float  
 Bucket ..... Tilt-back, hold, and dump

## HYDRAULIC SYSTEM

### Capacity (discharge flow) @ engine-rated rpm

Maximum flow for loader circuit  
 Loader + steering pump ..... 61 + 172 ltr/min 16.1 + 45.4 U.S. gal/min  
 Pilot pump ..... 54 ltr/min 14.3 U.S. gal/min  
 (Gear-type pumps)

Relief valve setting  
 Loader ..... 210 kg/cm<sup>2</sup> 20.6 MPa 3,000 psi  
 Steering ..... 210 kg/cm<sup>2</sup> 20.6 MPa 3,000 psi

### Control valve

2-spool open center type

### Hydraulic cylinders

Loader and steering ..... Double-acting, piston

Hydraulic Cylinders	Number of Cylinders	Bore		Stroke	
		mm	in	mm	in
Boom	2	140 mm	5.5"	740 mm	29.1"
Bucket	1	160 mm	6.3"	532 mm	20.9"
Steering	2	70 mm	2.8"	453 mm	17.8"

### Hydraulic cycle time (rated load in bucket)

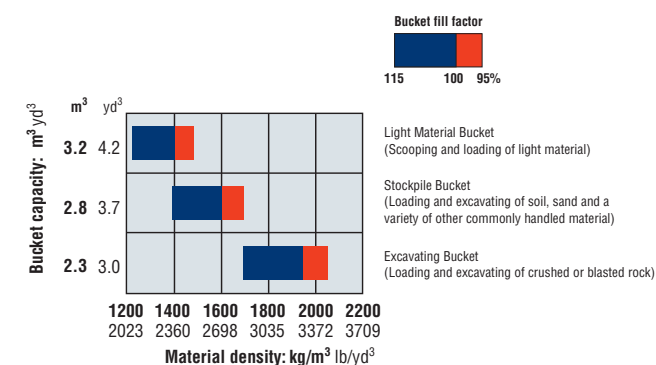
Raise ..... 6.1 sec  
 Dump ..... 1.2 sec  
 Lower (empty) ..... 3.3 sec

Total cycle time ..... 10.6 sec

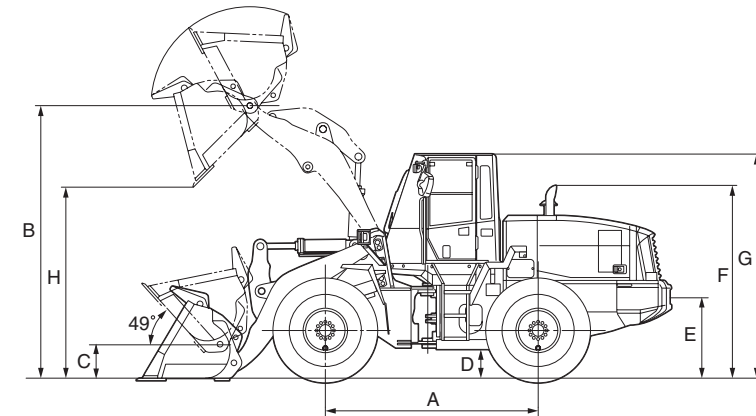
## SERVICE REFILL CAPACITIES

Cooling system ..... 18.5 ltr 4.9 U.S. gal  
 Fuel tank ..... 228.0 ltr 60.2 U.S. gal  
 Engine ..... 19.5 ltr 5.2 U.S. gal  
 Hydraulic system ..... 89.0 ltr 23.5 U.S. gal  
 Axle (each, front and rear) ..... 24.0 ltr 6.3 U.S. gal  
 Transmission ..... 6.5 ltr 1.7 U.S. gal

## BUCKET SELECTION GUIDE



## DIMENSIONS



Tread	2050 mm	6'9"
Width over tires	2585 mm	8'6"
A Wheelbase	3030 mm	9'11"
B Hinge pin height at max. height	3905 mm	12'10"
C Hinge pin height at carry position	480 mm	1'7"
D Ground clearance	425 mm	1'5"
E Hitch height	1095 mm	3'7"
F Overall height, top of stack	2775 mm	9'1"
G Overall height, ROPS cab	3200 mm	10'6"
H See Dumping Clearance Below		

Measured with 20.5-25-12PR (L3) tires

Bucket	Stockpile Bucket With Bolt-On Cutting Edge		Excavating Bucket With Bolt-On Cutting Edge		Light Material Bucket With Bolt-On Cutting Edge	
	mm	in	mm	in	mm	in
Bucket Capacity	Heaped	2.8 m <sup>3</sup> 3.7 yd <sup>3</sup>	2.3 m <sup>3</sup> 3.0 yd <sup>3</sup>	3.2 m <sup>3</sup> 4.2 yd <sup>3</sup>	2.8 m <sup>3</sup> 3.7 yd <sup>3</sup>	3.7 yd <sup>3</sup>
	Struck	2.4 m <sup>3</sup> 3.1 yd <sup>3</sup>	2.0 m <sup>3</sup> 2.6 yd <sup>3</sup>	2.8 m <sup>3</sup> 3.7 yd <sup>3</sup>	2.8 m <sup>3</sup> 3.7 yd <sup>3</sup>	3.7 yd <sup>3</sup>
Bucket Width	2740 mm	9'0"	2740 mm	9'0"	2740 mm	9'0"
Bucket Weight	1240kg	2,734 lb	1330 kg	2,932 lb	1430 kg	3,153 lb
Static Tipping Load	Straight	11250 kg 24,802 lb	11160 kg 24,604 lb	11060 kg 24,383 lb	11060 kg 24,383 lb	24,383 lb
	40° full turn	9800 kg 21,605 lb	9720 kg 21,429 lb	9630 kg 21,230 lb	9630 kg 21,230 lb	21,230 lb
Dumping Clearance, maximum height and 45° dump angle (H)**	2850 mm	9'4"	2955 mm	9'8"	2715 mm	8'11"
Reach at 2130 mm 7' 45° dump angle**	1570 mm	5'2"	1675 mm	5'6"	1435 mm	4'8"
Reach at maximum height and 45° dump angle**	1035 mm	3'5"	930 mm	3'1"	1170 mm	3'10"
Reach with arm horizontal and bucket level**	2420 mm	7'11"	2275 mm	7'6"	2610 mm	8'7"
Operating Height Fully raised	5330 mm	17'6"	5145 mm	16'11"	5415 mm	17'9"
Overall Length Bucket on Ground	7455 mm	24'6"	7310 mm	24'0"	7645 mm	25'1"
Turning Radius*	6090 mm	20'0"	6030 mm	19'9"	6165 mm	20'2"
Digging Depth	0°	85 mm 3.3"	85 mm 3.3"	85 mm 3.3"	85 mm 3.3"	3.3"
	10°	296 mm 11.7"	275 mm 10.8"	322 mm 12.7"	322 mm 12.7"	12.7"
Breakout Force	13180 kg	29,057 lb	15100 kg	33,290 lb	11280 kg	24,868 lb
Operating Weight	13520 kg	29,806 lb	13610 kg	30,005 lb	13710 kg	30,225 lb

\* Bucket at carry, outside corner of bucket. \*\* At the end of tooth or B.O.C.

All dimensions, weights, and performance values based on SAE J732c and J742b standards. Static tipping load and operating weight shown include lubricant, coolant, full fuel tank, ROPS cab, additional counterweight and operator. Machine stability and operating weight affected by counterweight, tire size, and other attachments.

### Weight Changes

	Change in Operating Weight		Change in Tipping Load		Width Over Tire	Ground Clearance	Change in Vertical Dimensions	
	kg	lb	Straight	Full Turn			mm	in
20.5-25-12PR (L2)	-160 kg	-353 lb	-120 kg	-265 lb	2585 mm	8'6"	425 mm	1'5"
Install ROPS canopy (instead of cab)	-150 kg	-331 lb	-107 kg	-236 lb				
Additional counterweight	520 kg	1,146 lb	1010 kg	2,227 lb				
Air conditioner	70 kg	154 lb	90 kg	198 lb				



## STANDARD EQUIPMENT

- Alternator, 35A, 24 volt
- Automatic boom kickout
- Axles, semi floating with torque proportioning
- Back-up alarm
- Back-up light, rear
- Batteries, **112 Ah**/2 x 12 V
- Bucket positioner, automatic
- Cab (ROPS/FOPS) with adjustable wrist rest, cigarette lighter/ash tray, dome light, front (intermittent) wiper/washer, rear view mirrors (2 outside, 1 inside), right hand and left hand door access with steps, sun visor
- Counterweight
- Differentials, torque proportioning
- EMMS (Equipment Management Monitoring System)
  - Gauges (Speedometer, engine water temperature, fuel level, HST oil temperature)
  - LCD displays (filter/oil replacement time, HST selection, odometer, service meter, trouble shooting)
- Lights (Axle oil temperature, battery charge, brake oil pressure, central warning, directional indicator, engine oil pressure, engine pre-heater, HST oil filter clogging, high beam, maintenance, parking brake reminder, parking brake warning, steering oil pressure, transmission speed range, turn signals)
- Engine, Komatsu SAA6D102E-2
- Engine shut-off system, electric
- Engine water separator
- Fan, hydraulic driven, swing out
- Hard water area arrangement
- Horn, electric
- Lift cylinders and bucket cylinder
- Lifting eyes
- Lights
  - Stop and tail
  - Turn signal (2 front, 2 rear)
  - Working (2 front, 2 rear, 2 outside cab)
- Loader linkage with standard lift boom
- Maintenance monitor panel
- Parking brake, wet disc
- PPC fingertip control, two levers
- Radiator mask, hinged
- Seat belt, 3" wide
- Seat, vinyl, suspension, reclining
- Service brakes, hydraulic, wet multi-disc, inboard
- Starting aid, intake manifold preheater
- Starting motor, **5.5 kW**/24 V
- Steering wheel, tiltable
- Tires 20.5-25-12PR (L3), tubeless and rims
- Transmission (Hydrostatic with speed range select), automatic
- Transmission control, electric, steering column
- 2-spool valve for boom and bucket controls with PPC



## OPTIONAL EQUIPMENT

- Air conditioner with heater/defroster/pressurizer
- Auxiliary steering
- Bucket, excavating, **2.3 m<sup>3</sup>** 3.0 yd<sup>3</sup>
- Bucket, stockpile, **2.8 m<sup>3</sup>** 3.7 yd<sup>3</sup>
- Bucket, light material, **3.2 m<sup>3</sup>** 4.2 yd<sup>3</sup>
- Bucket teeth, bolt-on
- Cold area arrangement
- Counterweight, additional
- Cutting edge, bolt-on, reversible
- ECSS (Electronically Controlled Suspension System)
- Fenders, front
- Fenders, rear full
- Fire extinguisher
- Floor mat
- Heater and defroster
- High-lift boom arrangement
- Hydraulic adapter kit (3rd spool), includes valve, lever, and piping
- Limited-slip differential, front and rear
- Power train guard
- Pre-cleaner
- Radio, AM/FM stereo with cassette
- Remote grease
- Rims only, less tires
  - Fits 20.5-25 tires
- ROPS canopy
- Seat, fabric, suspension, reclining
- Tool kit
- 3-spool valve, lever, piping
- Tires (bias ply)
  - 20.5-25-12PR (L2)
- Vandalism protection kit