



# CLG365A

## Skid Steer Loader



<b>Engine</b>	Yanmar
<b>Gross Power</b>	50.3 kW ( 67 hp ) @ 2,400 rpm
<b>Net Power</b>	47.8 kW ( 64 hp ) @2,400 rpm
<b>Breakout Force</b>	20.8 kN
<b>Rate Load</b>	795 kg
<b>Bucket Capacity</b>	0.4 m <sup>3</sup>
<b>Operating Weight</b>	2,950 kg

# CLG365A

## Skid Steer Loader



### ENGINE

Emission Regulation	Tier 3 / Stage IIIA
Make & Model	Yanmar
Gross Power	50.3 kW ( 67 hp ) @ 2,400 rpm
Net Power	47.8 kW ( 64 hp ) @ 2,400 rpm
Peak Torque	238.8 N · m @ 1,550 rpm
Number of Cylinders	4
Displacement	3.3 L
Cooling Type	water

### ELECTRICAL SYSTEM

System Voltage	12 V
Alternator Output	55 amps

### CHAIN TANK

Drive Chain Size	80 HS
------------------	-------

### TIRES

Ply Type	pneumatic
Tire Size	10 - 16.5
Ply Rating	8

### HYDRAULIC SYSTEM

System Type	closed
Standard Flow	79.2 L/min
Optional High Flow	120.2 L/min
Traveling Hydrostatic Pressure	32 MPa
Working Hydrostatic Pressure	20.7 MPa
Hydraulic Cycle Time, total	8.7 seconds
Raise	4.1 sec
Dump	2.4 sec
Lower ( empty, float down )	2.2 sec

### OPERATING WEIGHT

Operating Weight	2,950 kg
------------------	----------

### PERFORMANCE

Static Tipping Load	1,590 kg
Rated Load	795 kg
Boom Breakout Force	18.9 kN
Bucket Breakout Force	20.8 kN
Dump Clearance at Full Height Discharge	2,220 mm
Dump Reach at Full Height Discharge	540 mm
Maximum Dump Angle at Full Height	40°
Maximum Hinge Pin Height	2,923 mm
Bucket Rollback at Ground Level	30°
Ground Clearance	204 mm
Angle of Departure	26°
Front Clearance Radius	1,800 mm

### SERVICE CAPACITIES

Fuel Tank	80 L
Engine Oil	10.4 L
Cooling System	18 L
Hydraulic Reservoir	52 L
Hydraulic System Total	56 L
Chain Tanks, Each	7 L

### STANDARD EQUIPMENT

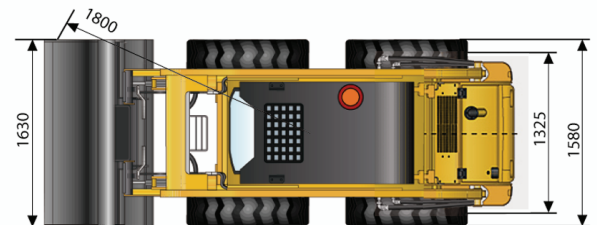
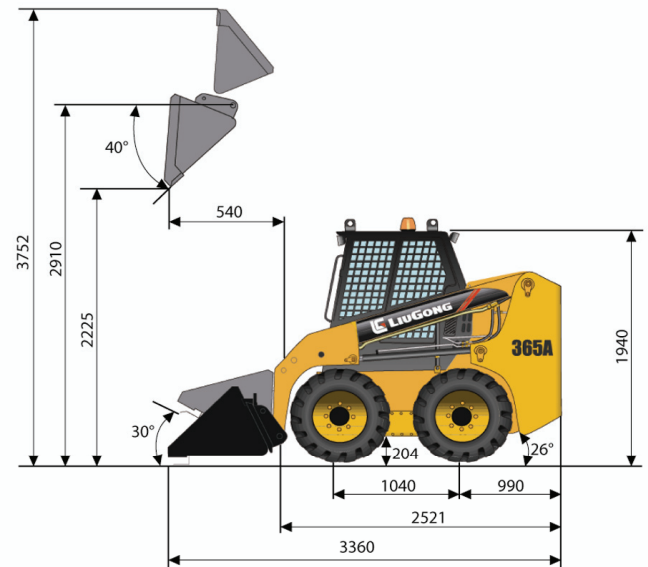
General Bucket - 0.4 m<sup>3</sup>  
 Control Safety Interlock  
 Boom Interlock  
 Quick Coupler  
 Enclosed ROPS / FOPS Cab with AC  
 Auxiliary High Flow - 120.2 L/min

### OPTIONAL EQUIPMENT

Open ROPS / FOPS Cab  
 Flow Standard – 79.2 L/min  
 Solid Tire  
 Tire Chains  
 Yanmar Tier II Engine

### OPTIONAL ATTACHMENTS

4 in 1 Bucket – 0.4 m <sup>3</sup>	Auger
Rocket Bucket – 0.4 m <sup>3</sup>	Cold Planer
Scrap Bucket – 350 mm to 650 mm	Snow Blade
Hydraulic Hammer	Pick - up Sweeper
Fork	Hydraulic Shear
Lift Boom	Trencher



Unit: mm

### Guangxi Liugong Machinery Co., Ltd.

No. 1 Liutai Road, Liuzhou, Guangxi 545007, PR China

T: +86 772 388 6124 E: overseas@liugong.com

[www.liugong.com](http://www.liugong.com)

Specifications and designs are subject to change without notice. Machines shown may include optional equipment.