




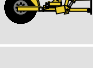




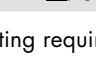


COMPACT & PRODUCTION GRADER ATTACHMENTS

The Champion family of Compact Grader Attachments allows the operator to complete all operations from site clearing to fine grading and clean up with a single unit.

Champion Compact Graders are designed to easily and efficiently function in a wide variety of roadside and job site applications through the use of one or more machine matched attachments.

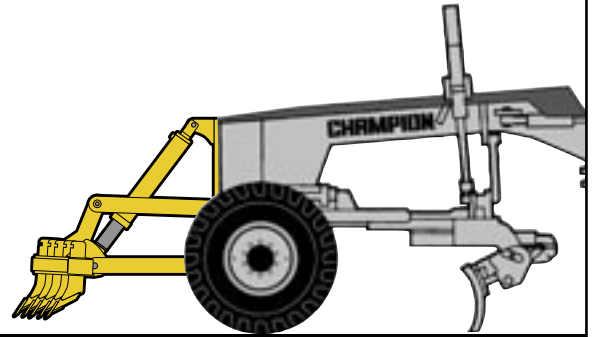
ATTACHMENTS		MODEL						
		C60 C	C66 C	C70 C	C80 C	C86 C	C110 C	C116 C
Automatic Blade Control		•	•	•	•	•	•	•
Counter Weight		•	•	•	•	•	•	•
Dozer Blade / Scarifier		•	•	•	•	•		
Dozer Blade		•	•	•	•	•	•	•
Rippifier		•	•	•	•	•	•	•
Rotary Broom		•	•	•	•	•		
Side Dozer		•	•	•	•	•		
Utility Front End Loader		•	•	•	•	•		
Vibratory Compaction Roller		•	•	•	•	•	•	•
"V" Scarifier		•	•	•	•	•	•	•
Windrow Eliminator		•	•	•	•	•	•	•

Consult your dealer for hydraulic and mounting requirements.

"V" SCARIFIER

The "V" Scarifier mounts to the nose plate of the grader and is ideal for use in loosening hard packed aggregate surfaces. The "V" Scarifier is easily removed to facilitate change to other front mounted attachments.

Dimensions:	C60/66/70/80/86	C110/116
Number of shanks	up to 9 (7 included)	up to 9 (5 included)
Cut width	43" (1 092 mm)	48" (1 219 mm)
Cut depth	12" (305 mm)	14" (356 mm)
Increased in length	24" (610 mm)	24" (610 mm)
Shank size	3/4 x 3 x 17" (19 x 76 x 431mm)	1 x 3 x 19" (25 x 76 x 483 mm)
Tips	replaceable	replaceable

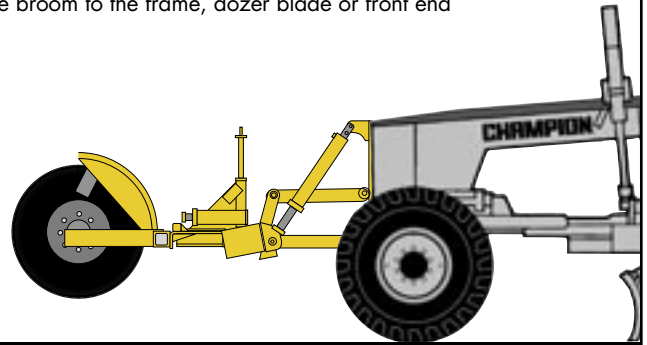


ROTARY BROOM

Speeds cleanup of intersections, job sites and roadways after maintenance. Available with manually adjustable or hydraulically adjustable broom angle. Optional mounting arrangements facilitate mounting the broom to the frame, dozer blade or front end loader. Quick couplers are available on request.

Dimensions:	C60/66/70/80/86
Broom length	6' (1,8 m)
Broom diameter	32" (813 mm)
Broom material	polypropylene bristles standard (crimped wire or poly/wire combination bristles available on request)
Angling available	30° each side

Not available on C110/116

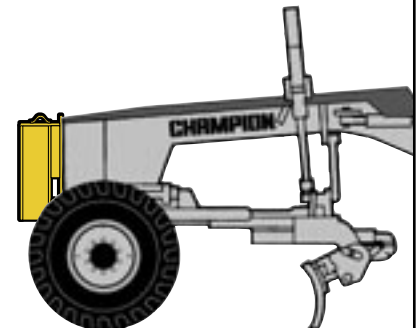


COUNTER WEIGHT

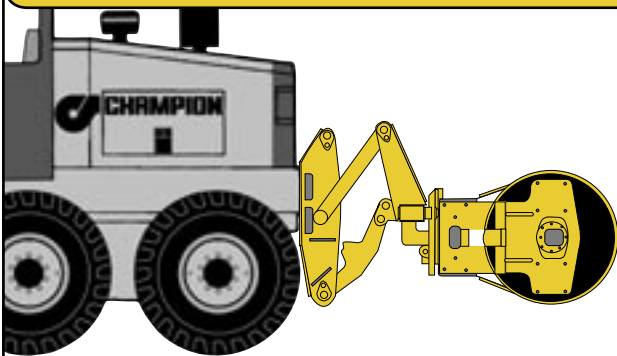
The Counter Weight is attached to the nose plate of the grader and provides a counter balance for rear mounted attachments for improved traction and stability.

Dimensions:	C60/66/70/80/86	C110/116
Weight	800 lb (363 kg)	1,200 lb (544 kg)
Increase in length	16" (406 mm)	13" (330 mm)

Recommended on C66/C86/C116 when front attachments are not present



VIBRATORY COMPACTION ROLLER



The Vibratory Compaction Roller is used for road maintenance applications. It can compact areas for road resurfacing and roll finished asphalt. This attachment eliminates the need for a separate compaction roller to be brought to the job.

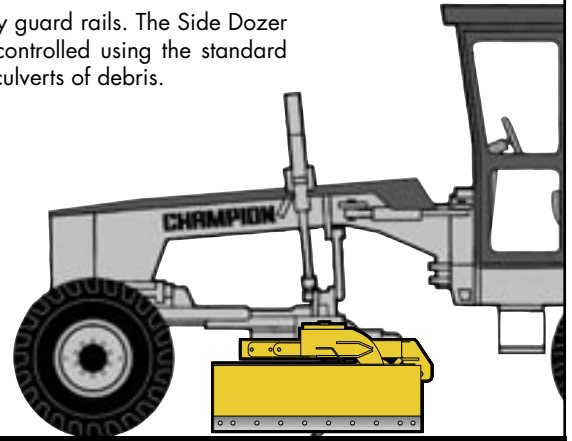
Dimensions:	For all Champion models
Width	48" (1 219 mm) to 72" (1 829 mm)

SIDE DOZER

The Side Dozer is used to remove and/or retrieve displaced material under highway guard rails. The Side Dozer is installed in place of the standard moldboard. Angle and tilt are hydraulically controlled using the standard moldboard controls. The Side Dozer can also be used to clear shallow ditches and culverts of debris.

Dimensions:	C60/66/70/80/86
Width	48" (1 219 mm)
Height	11" (279 mm)
Reach (depending on model)	99" (2 515 mm)
Weight	1,025 lb (465 kg)

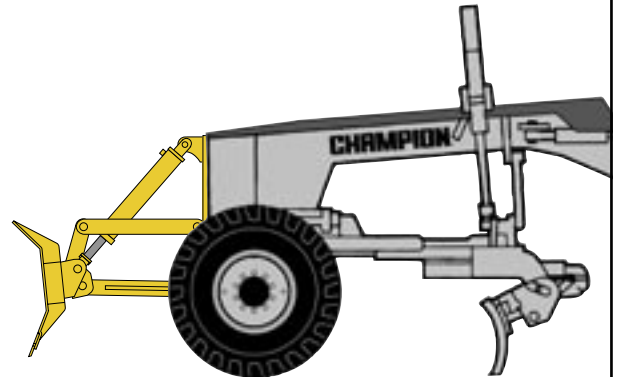
Not available on C110/116



DOZER BLADE

Ideal for back blading in tight spaces such as alley ways or against walls or to knock down piles of stone or dirt for grading.

Dimensions:	C60/66/70/80/86	C110/116
Blade width	7' (2 134 mm)	8' (2 438 mm)
Blade height	24" (610 mm)	32" (812 mm)
Blade weight	800 lb (363 kg)	1,500 lb (680 kg)

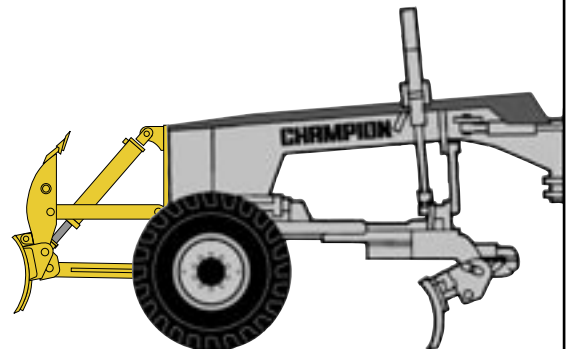


DOZER BLADE / SCARIFIER

Ideal for back blading in tight spaces such as alley ways or against walls or to knock down piles of stone or dirt for grading. Equipped with four swing down scarifier shanks that release automatically when reversing without raising the blade. Blade is 5/8" x 19" high (16 mm x 483 mm high). Available in 7' (2 134 mm) or 8' (2 438 mm) widths.

Dimensions:	C60/66/70/80/86
Increase in length	24" (610 mm)

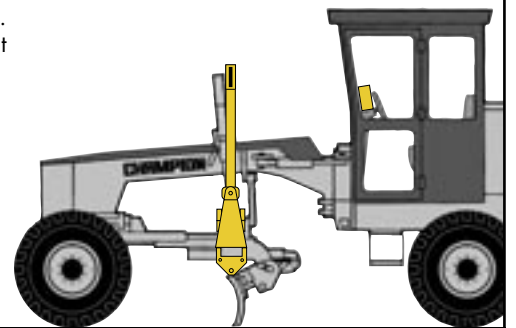
Not available on C110/116



AUTOMATIC BLADE CONTROL

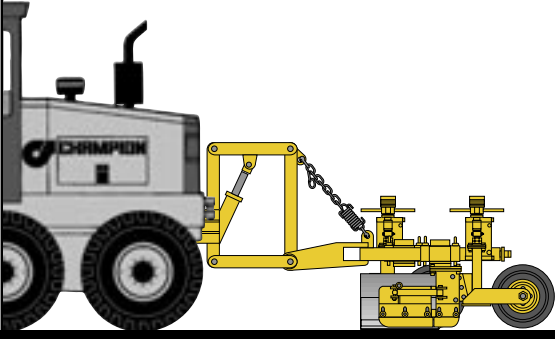
All Champion models can be fitted with Automatic Blade Control for fine grading applications. Various types of automatic blade control can be selected (laser, sonic or slope control) to suit your requirements.

Consult your dealer for a system to suit your applications.



WINDROW ELIMINATOR

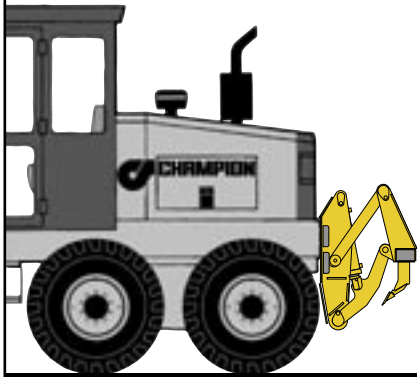
Ideal for gravel road maintenance, the Windrow Eliminator increases productivity by eliminating the windrow created when grading, thereby, eliminating the need for a second pass and reducing the time spent to flag the work zone. The "floating" design allows the attachment to stay in contact with the shoulder even during terrain changes. The parallel lift system brings the attachment up quickly to clear obstacles. Available with manually or hydraulically adjustable wheels.



Dimensions:	For all Champion models
Moldboard	10' x 9 3/4" x 1/2" (3 m x 248 mm x 13 mm)
Trailing wheels (tube type mounted on swivels to prevent scuffing)	16" (406 mm)
Adjustments (laterally)	24" (610 mm)
Weight	1,650 lb (748 kg)
Angle (at 35° the blade is within machine width)	45° right or left

RIPPIER

Ideal for loosening hard packed aggregate surfaces. Mounted to the rear frame with standard attachment brackets. Shanks are easily removed and placement locations allow for single tooth ripping.



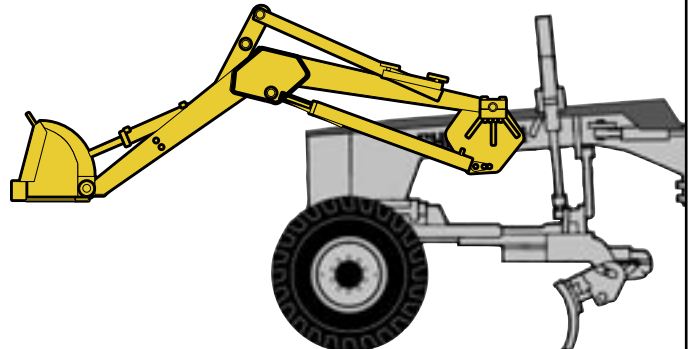
Dimensions:	C60/66/70/80/86	C110/116
Width of cut	60" (1 524 mm)	77" (1 956 mm)
Depth of cut	12" (304 mm)	14" (355 mm)
Increase in length	22" (558 mm)	25" (635 mm)
Number of shanks included (scarifier)	7	9
Shank size (scarifier)	3/4 x 3 x 17" (19 x 76 x 431 mm)	1 x 3 x 19" (25 x 76 x 483 mm)
Number of ripper shanks		3
Tips	replaceable	replaceable

UTILITY FRONT END LOADER

The Utility Front End Loader can load tandem trucks and is ideal for cleanup of trash and loose materials around the job site. An optional, detachable feature is available on request and allows removal of the loader in less than 45 minutes.

Dimensions:	C60/66/70/80/86
Bucket capacity	1/2 cu yd (0,4 m ³)
Height of bucket at full dump	9'6" (2 896 mm)
Height of boom at full lift	10'3" (3 124 mm)
Increase in length full raised	3'6" (1 067 mm)
Increase in length bucket on ground	4'4" (1 321 mm)
Bucket overall width	7' (2 134 mm)

Not available on C110/116



- Your safety and the safety of those around you depends on using care and judgement when operating and servicing your grader. Do not operate the grader until you read and understand the warnings and instructions in the operator's manual.
- Under our policy of continuous product development and improvement, we reserve the right to change specifications and design without prior notice. The illustrations do not necessarily show the standard version of the machine.



8844 Mount Holly Road, Charlotte, NC 28214 Tel: 704-392-1038 Fax: 704-394-0802

www.championmotorgraders.us